

REVISION RECORD				
REV	ECN	DESCRIPTION	DRFT	DATE

PART NO.:	NINGBO DEGSON ELECTRICAL CO., LTD		APPD:	/	CHKD:	/	DRFT:	/	TITLE:	CUSTOMER DRAWING	REV	D0
	DEGSON									DRAWING NO.:		SHEET
NAME:		2EDGV-5.0/5.08-XXP-1Y-00A(H)		DO NOT SCALE DRAWING		THIRD ANGLE PROJECTION		DRAWING NO.:		1:1		
/		/		/		/		/		1		

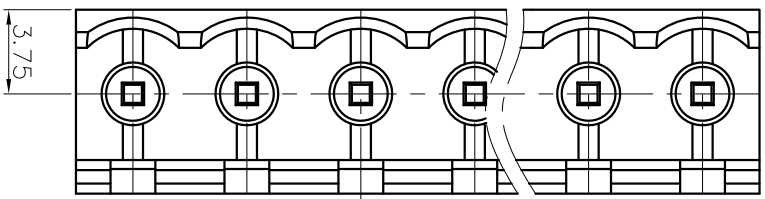
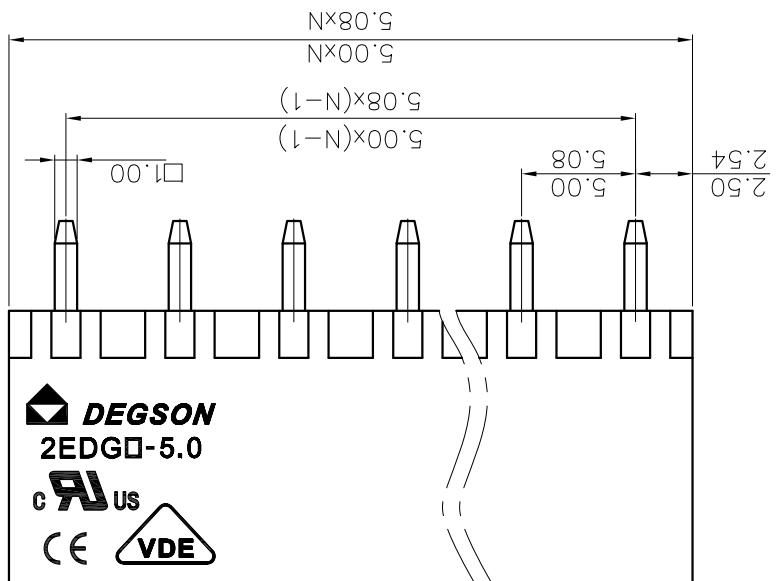
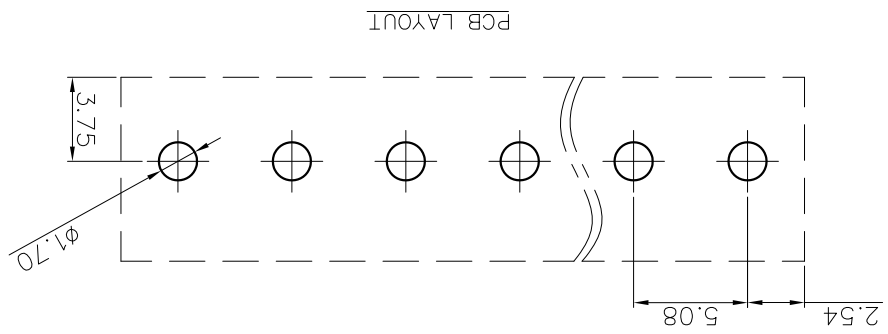
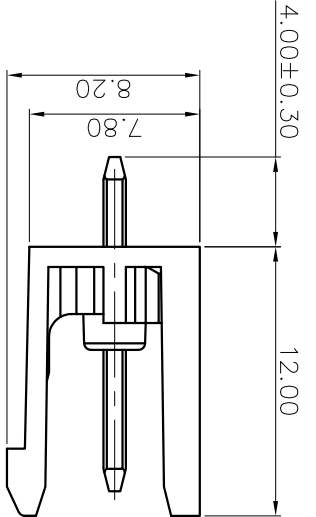
5.RoHS Compliance

Pitch range in mm	Normal dimension range	mm
Over 6	Over 10	Over 150
Over 10	Over 10	Over 100
Over 15	Over 10	Over 150
Over 20	Over 10	Over 100
Over 24	Over 10	Over 150
Over 30	Over 10	Over 100
Over 35	Over 10	Over 150
Over 40	Over 10	Over 100
Over 45	Over 10	Over 150
Over 50	Over 10	Over 100
Over 55	Over 10	Over 150
Over 60	Over 10	Over 100
Over 65	Over 10	Over 150
Over 70	Over 10	Over 100
Over 75	Over 10	Over 150
Over 80	Over 10	Over 100
Over 85	Over 10	Over 150
Over 90	Over 10	Over 100
Over 95	Over 10	Over 150
Over 100	Over 10	Over 100

1.Dimension shall be interpreted per ASME Y14.5-2009
 2.Pitch : 5.0/5.08mm, Poles : N=02~24P
 3.Operating temperature: -40°C~+105°C
 4.Undimensioned tolerances:
 5.RoHS Compliance

(Series No.)(Pitch)(Poles)(Single Pitch)(Color) : 1.(Grey)
 2.(Blue)
 3.(Black)
 4.(Green)
 5.(Orange)
 6.(Red)
 7.(Transparent)
 8.(Yellow)
 9.(White)

2EDGV - 5.0/5.08 - XXP - 1Y - 00A (H)
 00A-(Standard)
 (RoHS)



NOTES:

- UL Standard
 1.Rated voltage/current : 300V / 15A
 2.Withstanding voltage : AC1600V/1min.
 IEC Standard
- Pollution degree 2
- Overvoltage category III
- Rate impulse voltage(KV) 4.0KV
- Rate voltage(V) 320V
- Rate current(A) 20A

X-ON Electronics

Largest Supplier of Electrical and Electronic Components

Click to view similar products for [Pluggable Terminal Blocks](#) category:

Click to view products by [Degson](#) manufacturer:

Other Similar products are found below :

[57.404.7553](#) [57.504.0053.7](#) [57.510.0053](#) [57.910.6153](#) [01.112.1453](#) [CTB932VE/6](#) [MC 1.5/ 6-ST-3.5 GY AU](#) [ET02015000J0G](#) [734-104](#) [734-302](#) [734-304](#) [8-141-P](#) [FKCT 2.5/ 3-ST KMGY](#) [860505](#) [860508](#) [860516](#) [860810](#) [861908](#) [GBPACX-12](#) [93.731.4953.0](#) [PV05-5,08-K](#) [PVP02-5,00](#) [PVP04-3,50](#) [PVS02-5,00](#) [1-1986160-3](#) [H-10](#) [1546228-5](#) [ELFH09150](#) [ELFH16150](#) [ELFP03110](#) [ELFT06250](#) [ELFT07250](#) [ELVF09400](#) [ELVP03100](#) [ELXH03100](#) [ELXH071G0E](#) [ELXP041G0](#) [ELXT046G0](#) [1700101](#) [1700410](#) [1700425](#) [1703176](#) [1705229](#) [1710175](#) [1714537](#) [1717806](#) [1719600](#) [1729386](#) [1734692](#) [1734795](#)