

REVISION RECORD				
REV	ECN	DESCRIPTION	DRFT	DATE

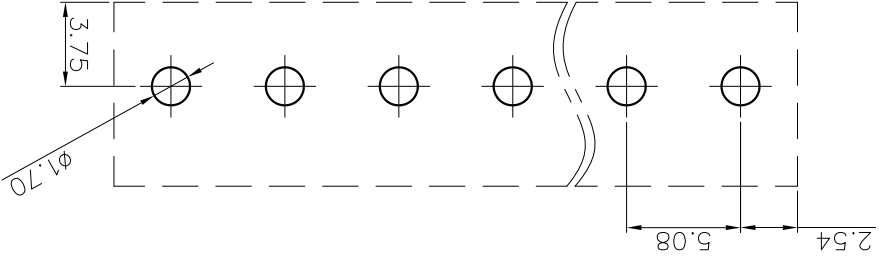
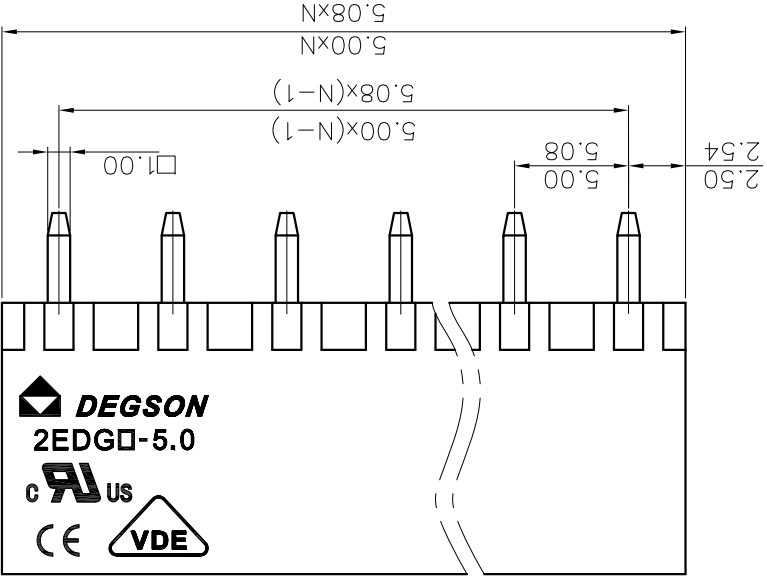
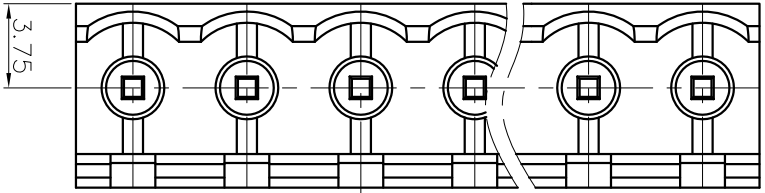
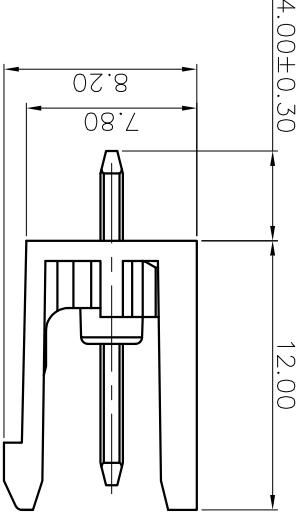
NOTE1: UL Standard  
 1. Rated voltage/current : 300V / 15A  
 2. Withstanding voltage : AC1600V/1min.  
 IEC Standard

Pollution degree	2
Overvoltage category	III
Rate impulse voltage(KV)	4.0KV
Rate voltage(V)	320V
Rate current(A)	20A

NOTE2: 1. Dimension shall be interpreted per ASME Y14.5-2009  
 2. Pitch : 5.0/5.08mm, Poles : N=02~24P  
 3. Operating temperature: -40°C~+105°C  
 4. Undimensioned tolerances:  
 5. RoHS Compliance

Fitch range in mm	Normal dimension range
Over 10	Over 150
Over 6	Over 100
Over 10	Over 60
Over 24	Over 100
Over 10	Over 30
Over 30	Over 60
Over 60	Over 100
Over 100	Over 150
Over 150	Over 300
±2%	±1.00
	±1.50

2EDGV - 5.0/5.08 - XXP - 1Y - 00A (H)  
 (RoHS)  
 00A-(Standard)  
 1. (Grey)  
 2. (Blue)  
 3. (Black)  
 4. (Green)  
 5. (Orange)  
 6. (Red)  
 7. (Transparent)  
 8. (Yellow)  
 9. (White)



PART NO.:	NINGBO DEGSON ELECTRICAL CO.,LTD	NAME:	2EDGV-5.0/5.08-XXP-1Y-00A(H)
		APPD:	/
		CHKD:	/
		DRFT:	/
	TITLE:	CUSTOMER DRAWING	REV
	DRAWING NO.:	/	1/1
	THIRD ANGLE PROJECTION		SCALE
	DO NOT SCALE DRAWING		1:1

## X-ON Electronics

Largest Supplier of Electrical and Electronic Components

*Click to view similar products for [Pluggable Terminal Blocks](#) category:*

*Click to view products by [Degson](#) manufacturer:*

Other Similar products are found below :

[57.404.7553](#) [57.504.0053.7](#) [57.510.0053](#) [57.910.6153](#) [01.112.1453](#) [CTB932VE/6](#) [MC 1.5/ 6-ST-3.5 GY AU](#) [ET02015000J0G](#) [734-104](#) [734-302](#) [734-304](#) [8-141-P](#) [FKCT 2.5/ 3-ST KMGY](#) [860505](#) [860508](#) [860516](#) [860810](#) [861908](#) [GBPACX-12](#) [93.731.4953.0](#) [PV05-5,08-K](#) [PVP02-5,00](#) [PVP04-3,50](#) [PVS02-5,00](#) [1-1986160-3](#) [H-10](#) [1546228-5](#) [ELFH09150](#) [ELFH16150](#) [ELFP03110](#) [ELFT06250](#) [ELFT07250](#) [ELVF09400](#) [ELVP03100](#) [ELXH03100](#) [ELXH071G0E](#) [ELXP041G0](#) [ELXT046G0](#) [1700101](#) [1700410](#) [1700425](#) [1703176](#) [1705229](#) [1710175](#) [1714537](#) [1717806](#) [1719600](#) [1729386](#) [1734692](#) [1734795](#)