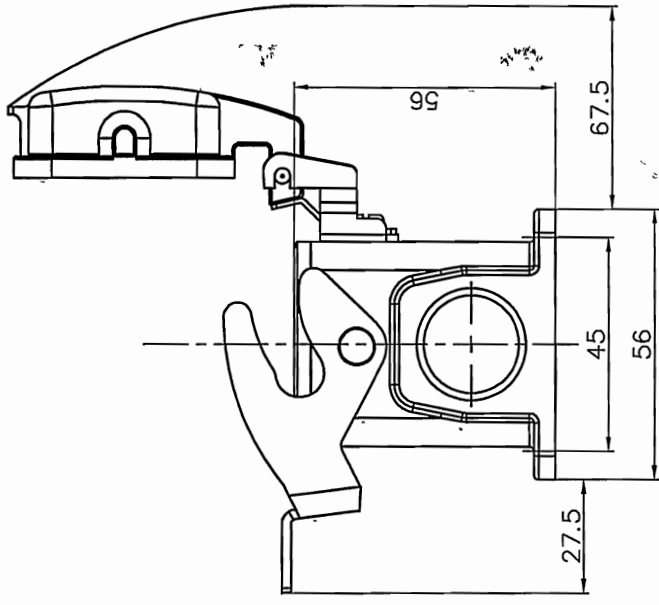
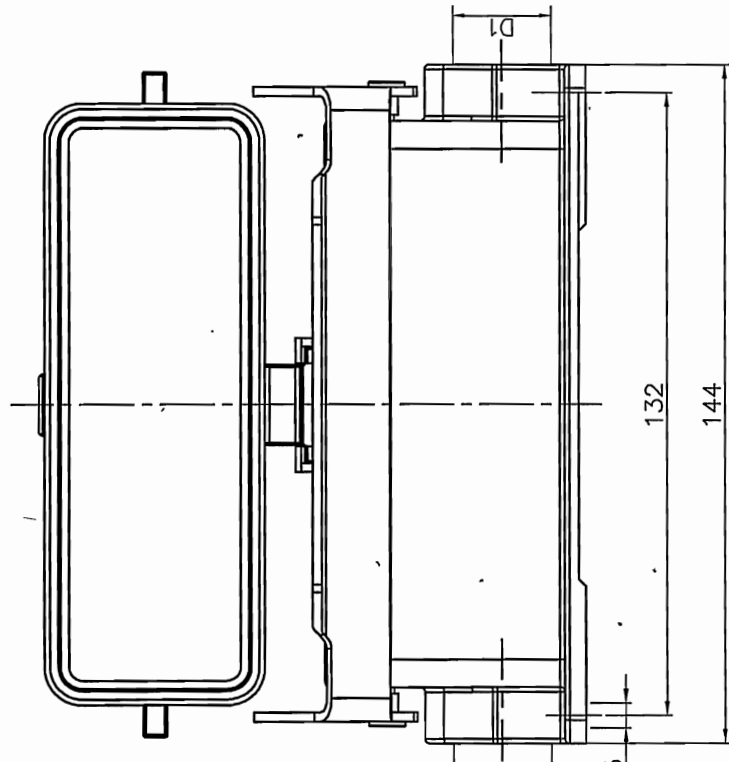
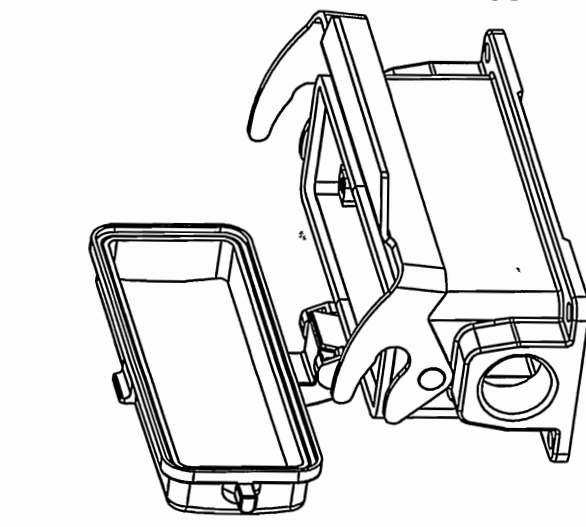


FOR-1351 Rev.1.0

| TYPE                | Thread |      | Selection |
|---------------------|--------|------|-----------|
|                     | D1     | D2   |           |
| D24B-SF-1L-CV-M25   | M25    | —    |           |
| D24B-SF-1L-CV-2M25  | M25    | M25  |           |
| D24B-SF-1L-CV-PG21  | PG21   | —    |           |
| D24B-SF-1L-CV-2PG21 | PG21   | PG21 |           |

| REVISION RECORD |     |             |      |      |
|-----------------|-----|-------------|------|------|
| REV             | ECN | DESCRIPTION | DRFT | DATE |
|                 |     |             |      |      |



- Housings Feature**
- 01.Material: aluminium die-cast
  - 02.Surface:Powder-coated
  - 03.Color:grey(RAL 7037)
  - 04.Material: Metal (Lever)
  - 05.Sealing:NBR
  - 06.Covers:Plastic
  - 07.Limiting temperatures:-40°C ~ +125°C
  - 08.Flammability acc to UL94:V0
  - 09.Degree of protection acc.to EN60529 for coupled connector :IP65
  - 10.Rohs compliance

|                        |              |                                   |
|------------------------|--------------|-----------------------------------|
| PART NO.:              | /            | NINGBO DEGSON ELECTRICAL CO., LTD |
| APPD:                  | M/S 2017-7-7 | NAME: D24B-SF-1L-CV-M/PG          |
| CHKD:                  | Chk 2017.7.1 | TITLE: CUSTOMER DRAWING           |
| DRFT:                  | Mr.yang      | 2017/06/28                        |
| DRAWING NO.:           |              | REV DO-1                          |
| THIRD ANGLE PROJECTION |              | SHEET 1/1                         |
| DO NOT SCALE           |              | DRAWING SCALE 1:1.5               |

DEGSON® 宁波高松电子有限公司

NINGBO DEGSON ELECTRICAL CO., LTD

NAME: D24B-SF-1L-CV-M/PG

TITLE: CUSTOMER DRAWING

REV DO-1

SHEET 1/1

DRAWING NO.:

DO NOT SCALE

DRAWING SCALE 1:1.5

## X-ON Electronics

Largest Supplier of Electrical and Electronic Components

*Click to view similar products for [Standard Circular Connector](#) category:*

*Click to view products by [Degson](#) manufacturer:*

Other Similar products are found below :

[C015 10F006 001 1](#) [5M2530B10P](#) [600247N007](#) [600259N006](#) [600273N007](#) [600432N009](#) [6280-2PG-519](#) [6280-3PG-311](#) [6280-3SG-311](#)  
[6280-7SG-3DC](#) [6280-7SG-522](#) [6282-5PG-311](#) [6282-6PG-519](#) [6282-8SG-311](#) [6283-11](#) [6283-15](#) [6290](#) [6293](#) [6382-2PG-311](#) [6382-2PG-3DC](#)  
[6382-2SG-321](#) [6382-2SG-3DC](#) [6382-4SG-516](#) [67-03E20-37P](#) [681-PMG](#) [CXS3102A14S2P](#) [CXS3102A181S](#) [CXS3106A14S6S](#)  
[D38999/20FC8SA L/C](#) [MB12P-1](#) [MB12R-6](#) [7251-2PG-300](#) [7251-2SG-300](#) [7251-4PG-300](#) [7251-4SG-300](#) [7251-5PG-300](#) [7251-5SG-300](#)  
[7251-6SG-300](#) [7251-7PG-300](#) [7251-8PG-300](#) [7271-6SG-300](#) [7282-3PG-300-CH3](#) [73000005663](#) [75-190011-03P](#) [75-190216-08S](#) [75-190218-](#)  
[10P](#) [75-214636-52P](#) [75-474118-10P](#) [75-474211-03P](#) [75-474218-19S](#)