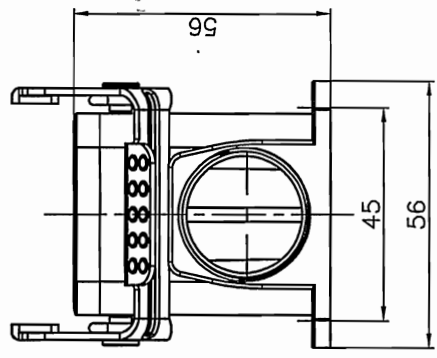
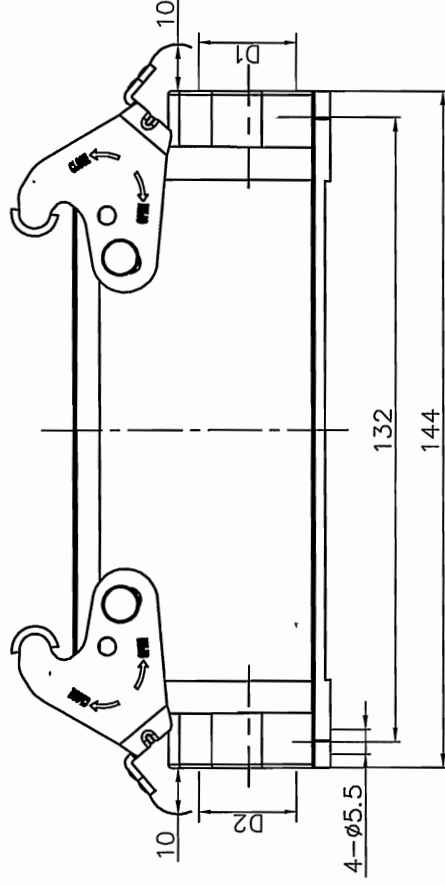
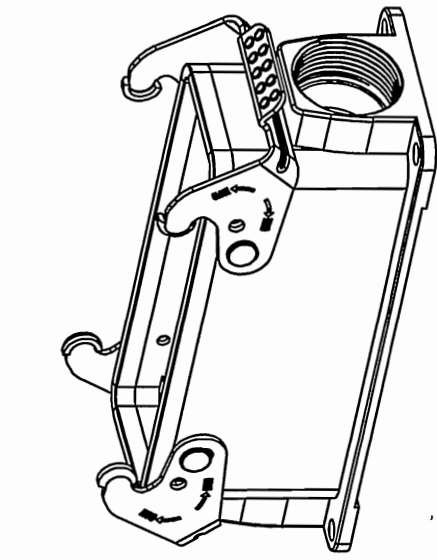


| TYPE | Thread | | Selection |
|------------------|--------|------|-----------|
| | D1 | D2 | |
| D24B-SF-2L-M25 | M25 | — | |
| D24B-SF-2L-2M25 | M25 | M25 | |
| D24B-SF-2L-PG21 | PG21 | — | |
| D24B-SF-2L-2PG21 | PG21 | PG21 | |

| REVISION RECORD | | | | |
|-----------------|-----|-------------|------|------|
| REV | ECN | DESCRIPTION | DRFT | DATE |
| | | | | |



Housings Feature

- 01. Material: aluminum die-cast
- 02. Surface: Powder-coated
- 03. Color: grey (RAL 7037)
- 04. Material: Metal (Lever)
- 05. Sealing: NBR
- 06. Limiting temperatures: -40°C ~ +125°C
- 07. Flammability acc to UL94: V0
- 08. Degree of protection acc.to EN60529 for coupled connector : IP65
- 09. Rohs compliance

| | |
|--------------|-----------------------------------|
| PART NO.: | NINGBO DEGSON ELECTRICAL CO., LTD |
| APPD: | HYS 2017-2-5 |
| CHKD: | CHK 2017-2-1 |
| DRFT: | Mr. yang 2017/06/28 |
| NAME: | D24B-SF-2L-M/PG |
| TITLE: | CUSTOMER DRAWING |
| DRAWING NO.: | DO NOT SCALE DRAWING |
| REVISION: | REV D0-1 |
| SHEET: | 1/1 |
| SCALE: | 1:1.5 |



THIRD ANGLE PROJECTION

X-ON Electronics

Largest Supplier of Electrical and Electronic Components

Click to view similar products for [Standard Circular Connector](#) category:

Click to view products by [Degson](#) manufacturer:

Other Similar products are found below :

[C015](#) [10F006](#) [001](#) [1](#) [5M2530B10P](#) [600247N007](#) [600259N006](#) [600273N007](#) [600432N009](#) [6280-2PG-519](#) [6280-3PG-311](#) [6280-3SG-311](#)
[6280-7SG-3DC](#) [6280-7SG-522](#) [6282-5PG-311](#) [6282-6PG-519](#) [6282-8SG-311](#) [6283-11](#) [6283-15](#) [6290](#) [6293](#) [6382-2PG-311](#) [6382-2PG-3DC](#)
[6382-2SG-321](#) [6382-2SG-3DC](#) [6382-4SG-516](#) [67-03E20-37P](#) [681-PMG](#) [CXS3102A14S2P](#) [CXS3102A181S](#) [CXS3106A14S6S](#)
[D38999/20FC8SA L/C](#) [MB12P-1](#) [MB12R-6](#) [7251-2PG-300](#) [7251-2SG-300](#) [7251-4PG-300](#) [7251-4SG-300](#) [7251-5PG-300](#) [7251-5SG-300](#)
[7251-6SG-300](#) [7251-7PG-300](#) [7251-8PG-300](#) [7271-6SG-300](#) [7282-3PG-300-CH3](#) [73000005663](#) [75-190011-03P](#) [75-190216-08S](#) [75-190218-](#)
[10P](#) [75-214636-52P](#) [75-474118-10P](#) [75-474211-03P](#) [75-474218-19S](#)