

REVISION RECORD				
REV	ECN	DESCRIPTION	DRFT	DATE

Technical characteristics:

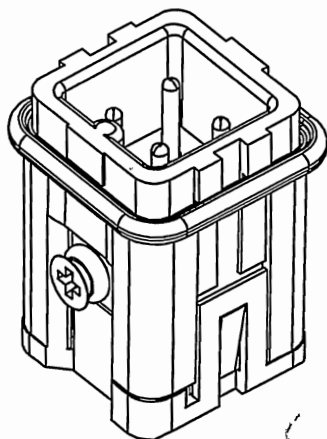
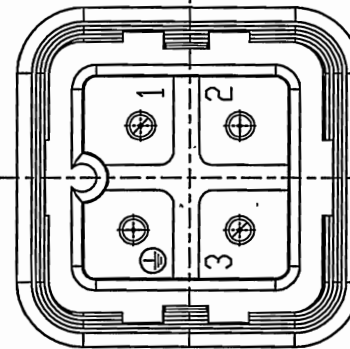
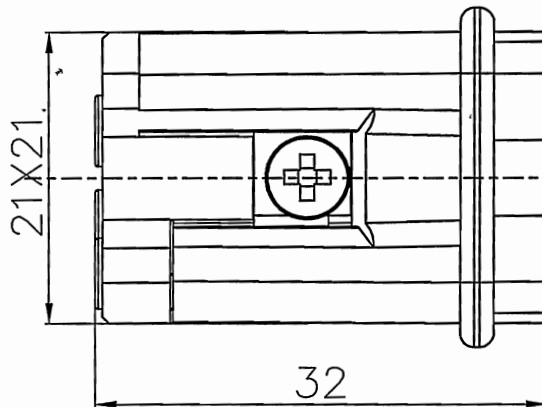
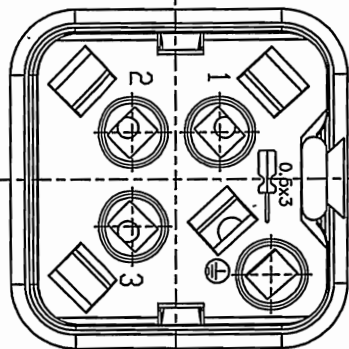
Specifications
 DIN EN 60 664-1
 DIN EN 61 984

Inserts

- 01. Number of contacts :3+PE
- 02. Rated Current :10A
- 03. Rated Voltage conductor-ground :230V
- 04. Rated Voltage conductor-conductor :400V
- 05. Pollution degree :3
- 06. Rated impulse voltage :4kv
- 07. or:10A/250V/4KV/3
- 08. Insulation resistance : $\geq 10^{10} \Omega$
- 09. Material:Polycarbonate
- 10. Colour:RAL 7032(Light grey)
- 11. Rated voltage acc. to UL/CSA:600V
- 12. Limiting temperatures : $-40^{\circ}\text{C} \sim +125^{\circ}\text{C}$
- 13. Flammability acc. to UL94:V0
- 14. Mechanical working life (mating cycles) : ≥ 500

Contacts

- 01. Material:Copper alloy
- 02. Surface:hard-silver plated
- 03. Contact resistance : $\leq 3\text{m}\Omega$
- 04. Terminal :Cage-clamp
- 05. Wire gauge :0.2-2.5mm² (AWG 26-14)
- 06. Stripping length :9.0mm
- 07. Rohs Compliance



DETACHED LISTS	PART NO.: DA003MS	宁波高松电子有限公司 NINGBO DEGSON ELECTRICAL CO., LTD		
	APPD: HJS 2016.7.18	NAME: DA-003-MS		
	CHKD: Ljm 2016.7.16	TITLE: CUSTOMER DRAWING		
	DRFT: Mr. Yang 2016.06.16	REV	DO-1	
 THIRD ANGLE PROJECTION		DRAWING NO.: DA-003-MS-E01	SHEET	1/1
		MM (INCH)	DO NOT SCALE DRAWING	SCALE
				2:1

X-ON Electronics

Largest Supplier of Electrical and Electronic Components

Click to view similar products for [Standard Circular Connector](#) category:

Click to view products by [Degson](#) manufacturer:

Other Similar products are found below :

[C015 10F006 001 1](#) [5M2530B10P](#) [600247N007](#) [600259N006](#) [600273N007](#) [600432N009](#) [6280-2PG-519](#) [6280-3PG-311](#) [6280-3SG-311](#)
[6280-7SG-3DC](#) [6280-7SG-522](#) [6282-5PG-311](#) [6282-6PG-519](#) [6282-8SG-311](#) [6283-11](#) [6283-15](#) [6290](#) [6293](#) [6382-2PG-311](#) [6382-2PG-3DC](#)
[6382-2SG-321](#) [6382-2SG-3DC](#) [6382-4SG-516](#) [67-03E20-37P](#) [681-PMG](#) [CXS3102A14S2P](#) [CXS3102A181S](#) [CXS3106A14S6S](#)
[D38999/20FC8SA L/C](#) [MB12P-1](#) [MB12R-6](#) [7251-2PG-300](#) [7251-2SG-300](#) [7251-4PG-300](#) [7251-4SG-300](#) [7251-5PG-300](#) [7251-5SG-300](#)
[7251-6SG-300](#) [7251-7PG-300](#) [7251-8PG-300](#) [7271-6SG-300](#) [7282-3PG-300-CH3](#) [73000005663](#) [75-190011-03P](#) [75-190216-08S](#) [75-190218-](#)
[10P](#) [75-214636-52P](#) [75-474118-10P](#) [75-474211-03P](#) [75-474218-19S](#)