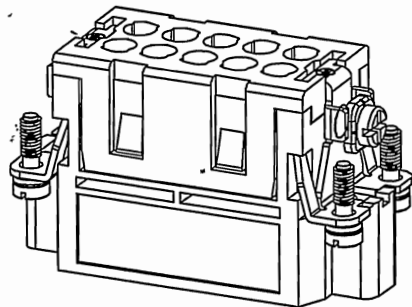
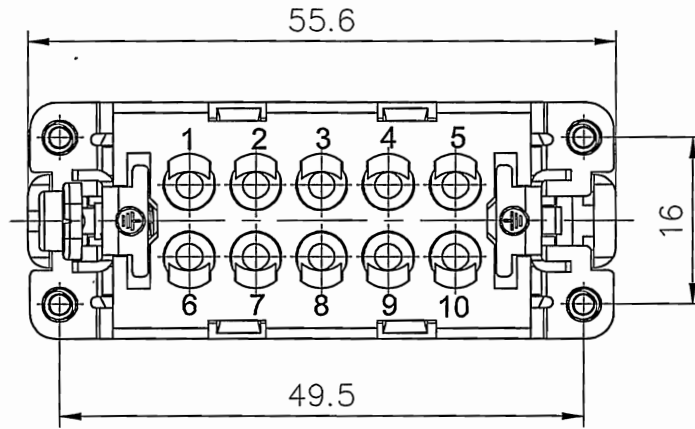
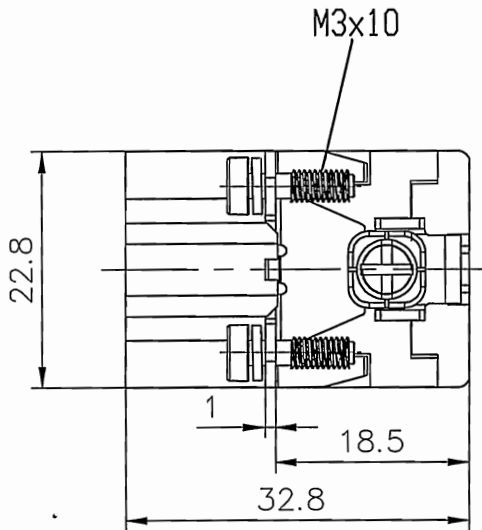


REVISION RECORD				
REV	ECN	DESCRIPTION	DRFT	DATE



Technical characteristics:

Specifications  
 DIN EN 60 664-1  
 DIN EN 61 984

Inserts

- 01. Number of contacts :10+PE
- 02. Rated Current :16A
- 03. Rated Voltage :250V
- 04. Pollution degree :3
- 05. Rated impulse voltage :4kv
- 06. Insulation resistance : $\geq 10^{10} \Omega$
- 07. Material:Polycarbonate
- 08. Colour:RAL 7032(Light grey)
- 09. Rated voltage acc. to UL/CSA:600V
- 10. Limiting temperatures : $-40^{\circ}\text{C} \sim +125^{\circ}\text{C}$
- 11. Flammability acc. to UL94:V0
- 12. Mechanical working life (mating cycles) : $\geq 500$

Contacts

- 01. Material:Copper alloy
  - 02. Surface:hard-silver plated
  - 03. Contact resistance : $\leq 1\text{m}\Omega$
  - 04. Terminal :Crimp terminal
  - 05. Wire gauge :0.14-4.0mm<sup>2</sup> (AWG 26-12)
  - 06. Stripping length :7.5mm
  - 07. Rohs Compliance
- Note:Crimp contact pins should order separately

DETACHED LISTS	PART NO.: /	宁波高松电子有限公司 NINGBO DEGSON ELECTRICAL CO., LTD		
	APPD: HJS 2016.8.26	NAME: DA-010-MC		
	CHKD: LYM 2016.8.25	TITLE: CUSTOMER DRAWING		
	DRFT: yang 2016.07.25	REV: D0-1	DO-1	
 THIRD ANGLE PROJECTION		DRAWING NO.: DA-010-MC-E01	SHEET: 1/1	
		DRAWING NO.: DA-010-MC-E01 DO NOT SCALE DRAWING	SCALE: 1.5:1	

## X-ON Electronics

Largest Supplier of Electrical and Electronic Components

*Click to view similar products for [Standard Circular Connector](#) category:*

*Click to view products by [Degson](#) manufacturer:*

Other Similar products are found below :

[C015 10F006 001 1](#) [5M2530B10P](#) [600247N007](#) [600259N006](#) [600273N007](#) [600432N009](#) [6280-2PG-519](#) [6280-3PG-311](#) [6280-3SG-311](#)  
[6280-7SG-3DC](#) [6280-7SG-522](#) [6282-5PG-311](#) [6282-6PG-519](#) [6282-8SG-311](#) [6283-11](#) [6283-15](#) [6290](#) [6293](#) [6382-2PG-311](#) [6382-2PG-3DC](#)  
[6382-2SG-321](#) [6382-2SG-3DC](#) [6382-4SG-516](#) [67-03E20-37P](#) [681-PMG](#) [CXS3102A14S2P](#) [CXS3102A181S](#) [CXS3106A14S6S](#)  
[D38999/20FC8SA L/C](#) [MB12P-1](#) [MB12R-6](#) [7251-2PG-300](#) [7251-2SG-300](#) [7251-4PG-300](#) [7251-4SG-300](#) [7251-5PG-300](#) [7251-5SG-300](#)  
[7251-6SG-300](#) [7251-7PG-300](#) [7251-8PG-300](#) [7271-6SG-300](#) [7282-3PG-300-CH3](#) [73000005663](#) [75-190011-03P](#) [75-190216-08S](#) [75-190218-](#)  
[10P](#) [75-214636-52P](#) [75-474118-10P](#) [75-474211-03P](#) [75-474218-19S](#)