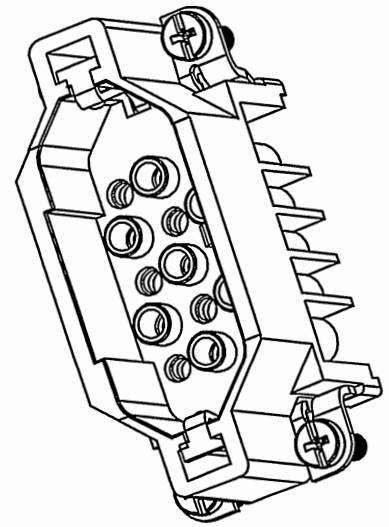
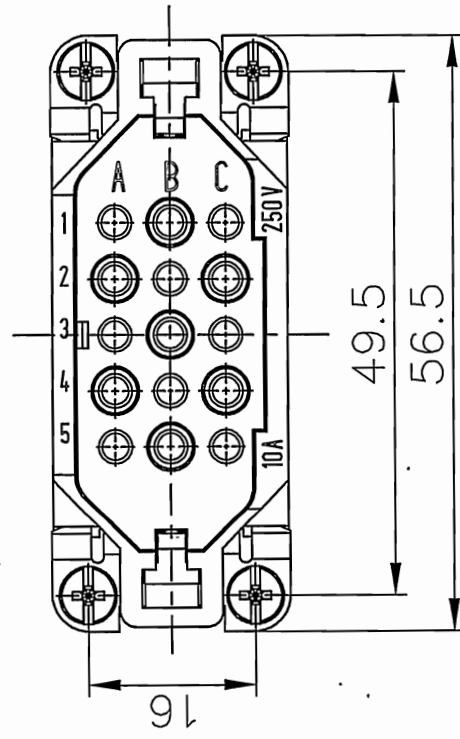
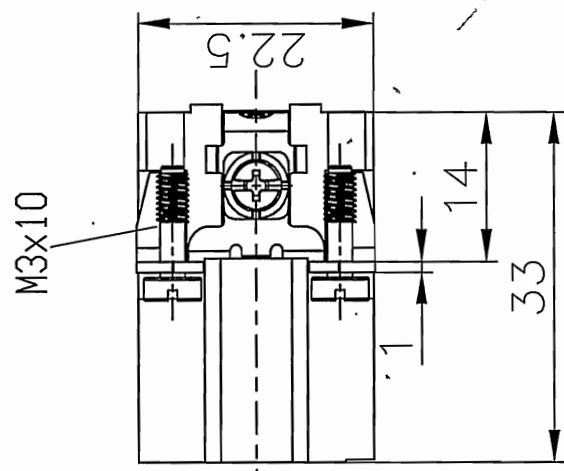


REVISION RECORD				
REV	ECN	DESCRIPTION	DRFT	DATE

Technical characteristics:

- Specifications**
 DIN EN 60 664-1
 DIN EN 61 984
 Approvals:
- Inserts**
01. Number of contacts : 15+PE
 02. Rated Current : 10A
 03. Rated Voltage : 250V
 04. Pollution degree : 3
 05. Rated impulse voltage : 4kv_u
 06. Insulation resistance : ≥10¹⁰Ω
 07. Material: Polycarbonate
 08. Colour: RAL 7032 (Light grey)
 09. Rated voltage acc. to UL/CSA: 600V
 10. Limiting temperatures : -40°C~+125°C
 11. Flammability acc. to UL94: V0
 12. Mechanical working life (mating cycles) : ≥500
- Contacts**
01. Material: Copper alloy
 02. Surface: hard-silver plated
 03. Contact resistance : ≤3mΩ
 04. Terminal : Crimp terminal
 05. Wire gauge : 0.14-2.5mm² (AWG 26-14)
 06. Stripping length : 6-8mm
 07. Rohs Compliance
- Note: Crimp contact pins should order separately



PART NO: /		NINGBO DEGSON ELECTRICAL CO., LTD	
APPD: <i>MSS 2016.8.26</i>		NAME: DD-015-MC	
CHKD: <i>LJM 2016.8.25</i>		TITLE: CUSTOMER DRAWING	
DRFT: Mr. Yang 2016.07.25		REV: DO-1	
THIRD ANGLE PROJECTION		DRAWING NO: DD-015-MC-E01	
MM (INCH)		SHEET 1/1	
DO NOT SCALE DRAWING		SCALE 1.5:1	

DETACHED LISTS

X-ON Electronics

Largest Supplier of Electrical and Electronic Components

Click to view similar products for [Standard Circular Connector](#) category:

Click to view products by [Degson](#) manufacturer:

Other Similar products are found below :

[C015 10F006 001 1](#) [5M2530B10P](#) [600247N007](#) [600259N006](#) [600273N007](#) [600432N009](#) [6280-2PG-519](#) [6280-3PG-311](#) [6280-3SG-311](#)
[6280-7SG-3DC](#) [6280-7SG-522](#) [6282-5PG-311](#) [6282-6PG-519](#) [6282-8SG-311](#) [6283-11](#) [6283-15](#) [6290](#) [6293](#) [6382-2PG-311](#) [6382-2PG-3DC](#)
[6382-2SG-321](#) [6382-2SG-3DC](#) [6382-4SG-516](#) [67-03E20-37P](#) [681-PMG](#) [CXS3102A14S2P](#) [CXS3102A181S](#) [CXS3106A14S6S](#)
[D38999/20FC8SA L/C](#) [MB12P-1](#) [MB12R-6](#) [7251-2PG-300](#) [7251-2SG-300](#) [7251-4PG-300](#) [7251-4SG-300](#) [7251-5PG-300](#) [7251-5SG-300](#)
[7251-6SG-300](#) [7251-7PG-300](#) [7251-8PG-300](#) [7271-6SG-300](#) [7282-3PG-300-CH3](#) [73000005663](#) [75-190011-03P](#) [75-190216-08S](#) [75-190218-](#)
[10P](#) [75-214636-52P](#) [75-474118-10P](#) [75-474211-03P](#) [75-474218-19S](#)