

| REVISION RECORD | | | | |
|-----------------|-----|-------------|------|------|
| REV | ECN | DESCRIPTION | DRFT | DATE |
| | | | | |

Technical characteristics:

Specifications
 DIN EN 60 664-1
 DIN EN 61 984

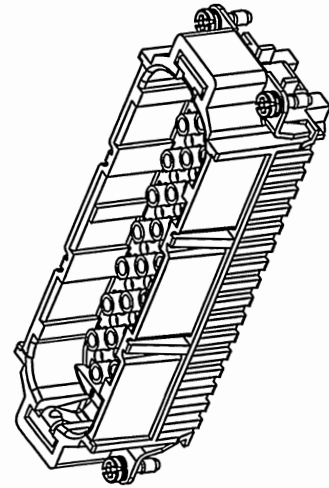
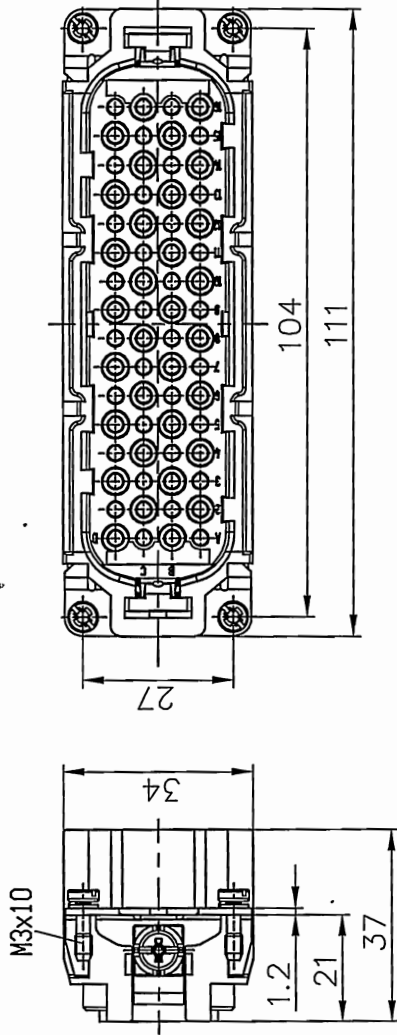
Inserts

- 01. Number of contacts :64+PE
- 02. Rated Current :10A
- 03. Rated Voltage :250V
- 04. Pollution degree :3
- 05. Rated impulse voltage :4kv_u
- 06. Insulation resistance :≥10Ω
- 07. Material:Polycarbonate
- 08. Rated voltage acc.to UL/CSA:600V
- 09. Limiting temperatures :-40℃~+125℃
- 10. Flammability acc.to UL94:V0
- 11. Mechanical working life (mating cycles) :≥500

Contacts

- 01. Material:Copper alloy
- 02. Surface:hard-silver plated
- 03. Contact resistance :≤3mΩ
- 04. Terminal :Crimp terminal
- 05. Wire gauge :0.14-2.5mm² (AWG 26-14)
- 06. Stripping length :8.0mm
- 07. Rohs Compliance

Note:Crimp contact pins should order separately



| | | | |
|--------------------------|--|-----------------------------------|----------------------|
| PART NO: / | | NINGBO DEGSON ELECTRICAL CO., LTD | |
| APPD: HYS 2016.8.25 | | NAME: DD-064-MC | |
| CHKD: Ljm 2016.8.25 | | TITLE: CUSTOMER DRAWING | |
| DRFT: Mr.Yang 2016.07.25 | | REV | DO-1 |
| THIRD ANGLE PROJECTION | | DRAWING NO.: | DD-064-MC-E01 |
| | | MM (INCH) | DO NOT SCALE DRAWING |
| DETTACHED LISTS | | SHEET | 1/1 |

X-ON Electronics

Largest Supplier of Electrical and Electronic Components

Click to view similar products for [Standard Circular Connector](#) category:

Click to view products by [Degson](#) manufacturer:

Other Similar products are found below :

[C015 10F006 001 1](#) [5M2530B10P](#) [600247N007](#) [600259N006](#) [600273N007](#) [600432N009](#) [6280-2PG-519](#) [6280-3PG-311](#) [6280-3SG-311](#)
[6280-7SG-3DC](#) [6280-7SG-522](#) [6282-5PG-311](#) [6282-6PG-519](#) [6282-8SG-311](#) [6283-11](#) [6283-15](#) [6290](#) [6293](#) [6382-2PG-311](#) [6382-2PG-3DC](#)
[6382-2SG-321](#) [6382-2SG-3DC](#) [6382-4SG-516](#) [67-03E20-37P](#) [681-PMG](#) [CXS3102A14S2P](#) [CXS3102A181S](#) [CXS3106A14S6S](#)
[D38999/20FC8SA L/C](#) [MB12P-1](#) [MB12R-6](#) [7251-2PG-300](#) [7251-2SG-300](#) [7251-4PG-300](#) [7251-4SG-300](#) [7251-5PG-300](#) [7251-5SG-300](#)
[7251-6SG-300](#) [7251-7PG-300](#) [7251-8PG-300](#) [7271-6SG-300](#) [7282-3PG-300-CH3](#) [73000005663](#) [75-190011-03P](#) [75-190216-08S](#) [75-190218-](#)
[10P](#) [75-214636-52P](#) [75-474118-10P](#) [75-474211-03P](#) [75-474218-19S](#)