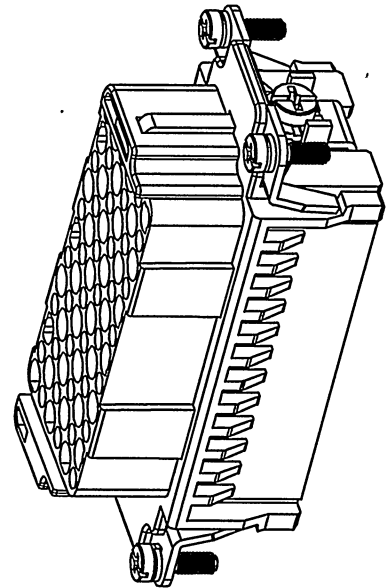
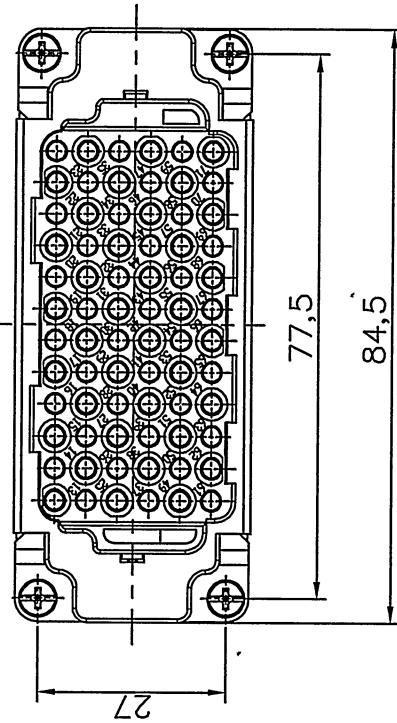
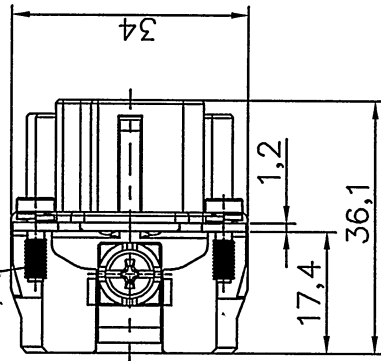


REVISION RECORD				
REV	ECN	DESCRIPTION	DRFT	DATE

M3x10



Technical characteristics:

Specifications
 DIN EN 60 664-1
 DIN EN 61 984

Inserts

- 01. Number of contacts :72+PE
- 02. Rated Current :10A
- 03. Rated Voltage :250V
- 04. Pollution degree :3
- 05. Rated impulse voltage :4kv₁₀
- 06. Insulation resistance :≥10¹⁰Ω
- 07. Material:Polycarbonate
- 08. Rated voltage acc. to UL/CSA:600V
- 09. Limiting temperatures :-40°C~+125°C
- 10. Flammability acc. to UL94:V0
- 11. Mechanical working life (mating cycles) :≥500

Contacts

- 01. Material:Copper alloy
- 02. Surface:hard-silver plated
- 03. Contact resistance :≤3mΩ
- 04. Terminal :Crimp terminal
- 05. Wire gauge :0.14-2.5mm² (AWG 26-14)
- 06. Stripping length :6-8mm

Note:Crimp contact pins should order separately

PART NO. /		NINGBO DEGSON ELECTRICAL CO., LTD 宁波高松电子有限公司	
APPD: HYS 2016-10-8	NAME: DDD-072-FC		
CHKD: JYM 2016-10-8	TITLE: CUSTOMER DRAWING		
DRFT: Mr. Yang 2016.09.25	DRAWING NO.: DDD-072-FC-E01		
THIRD ANGLE PROJECTION		REV	DO-1
		SHEET	1/1
		DO NOT SCALE DRAWING	SCALE 1:1

X-ON Electronics

Largest Supplier of Electrical and Electronic Components

Click to view similar products for [Standard Circular Connector](#) category:

Click to view products by [Degson](#) manufacturer:

Other Similar products are found below :

[C015 10F006 001 1](#) [5M2530B10P](#) [600247N007](#) [600259N006](#) [600273N007](#) [600432N009](#) [6280-2PG-519](#) [6280-3PG-311](#) [6280-3SG-311](#)
[6280-7SG-3DC](#) [6280-7SG-522](#) [6282-5PG-311](#) [6282-6PG-519](#) [6282-8SG-311](#) [6283-11](#) [6283-15](#) [6290](#) [6293](#) [6382-2PG-311](#) [6382-2PG-3DC](#)
[6382-2SG-321](#) [6382-2SG-3DC](#) [6382-4SG-516](#) [67-03E20-37P](#) [681-PMG](#) [CXS3102A14S2P](#) [CXS3102A181S](#) [CXS3106A14S6S](#)
[D38999/20FC8SA L/C](#) [MB12P-1](#) [MB12R-6](#) [7251-2PG-300](#) [7251-2SG-300](#) [7251-4PG-300](#) [7251-4SG-300](#) [7251-5PG-300](#) [7251-5SG-300](#)
[7251-6SG-300](#) [7251-7PG-300](#) [7251-8PG-300](#) [7271-6SG-300](#) [7282-3PG-300-CH3](#) [73000005663](#) [75-190011-03P](#) [75-190216-08S](#) [75-190218-](#)
[10P](#) [75-214636-52P](#) [75-474118-10P](#) [75-474211-03P](#) [75-474218-19S](#)