

| REVISION RECORD |     |             |      |      |
|-----------------|-----|-------------|------|------|
| REV             | ECN | DESCRIPTION | DRFT | DATE |
|                 |     |             |      |      |

**Technical characteristics:**

Specifications  
 DIN EN 60 664-1  
 DIN EN 61 984

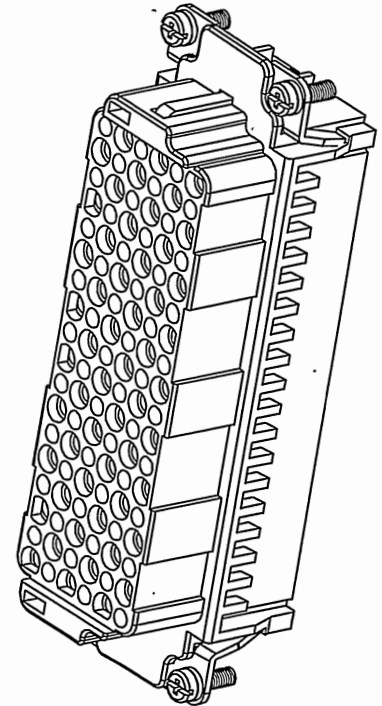
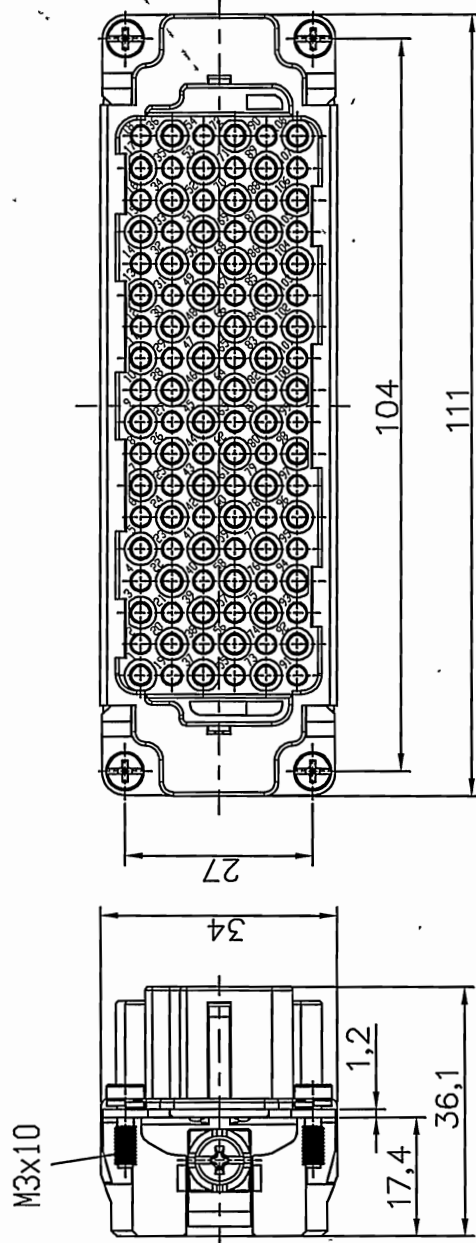
**Inserts**

01. Number of contacts :108+PE
02. Rated Current :10A
03. Rated Voltage :250V
04. Pollution degree :3
05. Rated impulse voltage :4kV<sup>10</sup>
06. Insulation resistance :≥10Ω
07. Material:Polycarbonate
08. Rated voltage acc.to UL/CSA:600V
09. Limiting temperatures : -40°C~+125°C
10. Flammability acc.to UL94:V0
11. Mechanical working life (mating cycles) :≥500

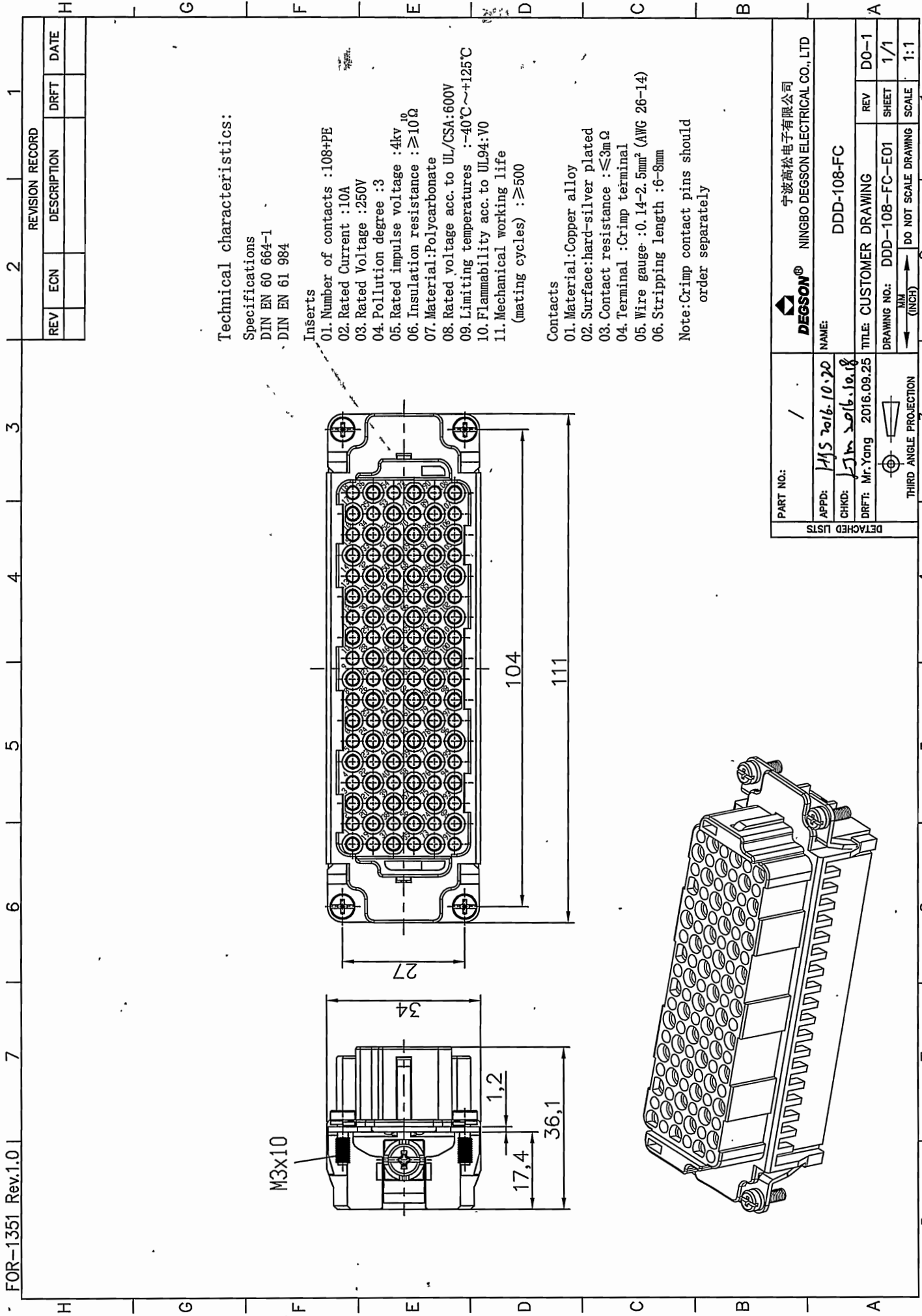
**Contacts**

01. Material:Copper alloy
02. Surface:hard-silver plated
03. Contact resistance :≤3mΩ
04. Terminal :Crimp terminal
05. Wire gauge :0.14-2.5mm<sup>2</sup> (AWG 26-14)
06. Stripping length :6-8mm

Note:Crimp contact pins should order separately



|                        |                     |                      |                  |
|------------------------|---------------------|----------------------|------------------|
| PART NO.:              | /                   | NAME:                | 宁波高松电子有限公司       |
| APPD:                  | MJS 2016.10.20      | TITLE:               | CUSTOMER DRAWING |
| CHKD:                  | JLW 2016.10.18      | DRAWING NO.:         | DDD-108-FC-E01   |
| DRFT:                  | Mr. Yang 2016.09.25 | REV                  | DO-1             |
| THIRD ANGLE PROJECTION |                     | DO NOT SCALE DRAWING | SHEET 1/1        |
| DETACHED LISTS         |                     | SCALE                | 1:1              |



## X-ON Electronics

Largest Supplier of Electrical and Electronic Components

*Click to view similar products for [Standard Circular Connector](#) category:*

*Click to view products by [Degson](#) manufacturer:*

Other Similar products are found below :

[C015](#) [10F006](#) [001](#) [1](#) [5M2530B10P](#) [600247N007](#) [600259N006](#) [600273N007](#) [600432N009](#) [6280-2PG-519](#) [6280-3PG-311](#) [6280-3SG-311](#)  
[6280-7SG-3DC](#) [6280-7SG-522](#) [6282-5PG-311](#) [6282-6PG-519](#) [6282-8SG-311](#) [6283-11](#) [6283-15](#) [6290](#) [6293](#) [6382-2PG-311](#) [6382-2PG-3DC](#)  
[6382-2SG-321](#) [6382-2SG-3DC](#) [6382-4SG-516](#) [67-03E20-37P](#) [681-PMG](#) [CXS3102A14S2P](#) [CXS3102A181S](#) [CXS3106A14S6S](#)  
[D38999/20FC8SA L/C](#) [MB12P-1](#) [MB12R-6](#) [7251-2PG-300](#) [7251-2SG-300](#) [7251-4PG-300](#) [7251-4SG-300](#) [7251-5PG-300](#) [7251-5SG-300](#)  
[7251-6SG-300](#) [7251-7PG-300](#) [7251-8PG-300](#) [7271-6SG-300](#) [7282-3PG-300-CH3](#) [73000005663](#) [75-190011-03P](#) [75-190216-08S](#) [75-190218-](#)  
[10P](#) [75-214636-52P](#) [75-474118-10P](#) [75-474211-03P](#) [75-474218-19S](#)