

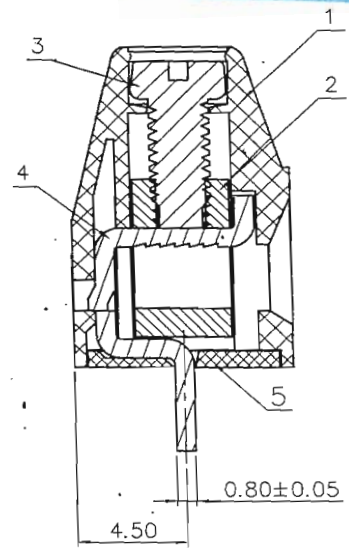
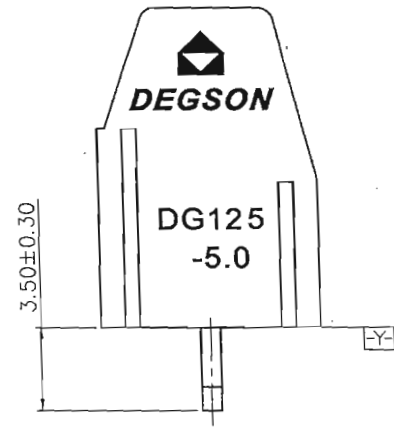
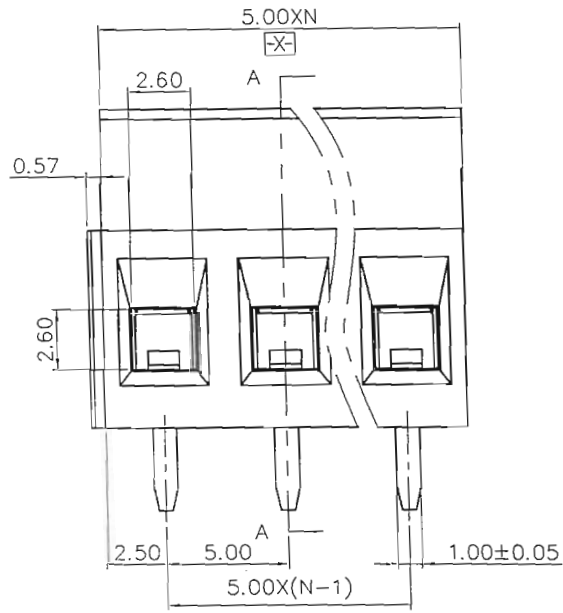
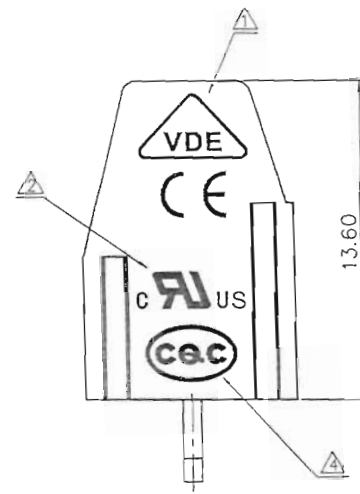
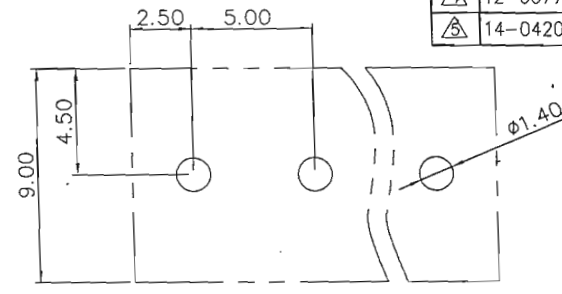
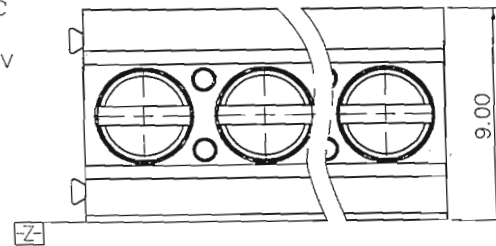
D1RFRD006

NOTES:

1. DIMENSION SHALL BE INTERPRETED PER ASME Y14.5-2009.
2. PITCH: 5.0MM ,POLES: 2-XXP
3. RATED VOLTAGE/CURRENT: UL 300V/16A
VDE 250V/18A
4. OPERATION TEMPERATURES: -40°C~+105°C
5. WITHSTANDING VOLTAGE: AC2000V/1MIN.
6. INSULATION RESISTANCE: 5000MΩ/DC1000V
7. WIRE RANGE: 26~12AWG, 0.5~2.5MM²
8. TORQUE VALUE: M2.5, 4.08kgf.cm
9. UNDIMENSIONED TOLERANCES:

REVISION RECORD				
REV	ECN	DESCRIPTION	DRFT	DATE
△		增加VDE、CE刻字	Zengy	06/10/09"
△	09-0136	增加UL刻字及参数	GHY	12/05/09"
△		图面整理	HYQ	01/21/10"
△	12-0077	增加CQC刻字	YHG	04/21/12"
△	14-0420	UL电流由12A变更为16A	WYJ	11/05/14"

文管中心
 研发专用
 2014. 11. 27
 (仅限内部使用, 对外无效)



PITCH RANGE IN MM	NOMINAL DIMENSION RANGE IN MM						
	TO	OVER TO	OVER TO	OVER TO	OVER TO	OVER TO	OVER TO
6	10	24	30	60	100	150	150
±0.10	±0.15	±0.25	±0.20	±0.30	±0.50	±0.70	±1.00
							0.05/10

REV	DESCRIPTION	QTY	MATERIAL
5	E1100 2.5-5.0-COVER	1	PA66 UL94V-0
4	E1100 2.5-PIN HEADER	XX	BRASS Sn PLATED
3	E1100 2.5"-SCREWS	XX	STEEL Cr ³⁺ Zn
2	E1100 2.5-CAGE	XX	BRASS NI PLATED

ITEM	NAME OF PART	NO. OF PART	Q'TY	MATERIAL	NOTES
1	DG125-5.0-HOUSING	4145A0YXXA(H)	1	PA66	UL94V-0

TOLERANCES EXCEPT AS NOTED		MATERIAL:		FINISH:	
.X ±	.X' ±	DEGSON® 宁波高正电子有限公司		DEGSON® DEGSON ELECTRONICS CO., LTD	
.XX ±	.XX' ±	PART NO.:		NAME: DG125-5.0-XXP-1Y-00A(H)	
.XXX ±	.XXX' ±	ANGLES ± 1°		APPD: <i>Axon 11/8/14</i>	
THIRD ANGLE PROJECTION		CHKD: <i>Lex 11/8/14</i>		TITLE: ASSEMBLY DRAWING	
		DRFT: Linda 10/15/08"		DRAWING NO.: DG125-5.0-E01	
		DO NOT SCALE DRAWING		SCALE	N/A
		SHEET		1/1	

X-ON Electronics

Largest Supplier of Electrical and Electronic Components

Click to view similar products for [Fixed Terminal Blocks](#) category:

Click to view products by [Degson](#) manufacturer:

Other Similar products are found below :

[MBE-1512](#) [MBE-1520](#) [MBE-154](#) [MBE-156](#) [MBES-156](#) [MH-2512](#) [MHE-132](#) [MHE-163](#) [MI-254 \(35\)](#) [MPT-275](#) [ELM10110G](#) [BA311TU](#)
[BA411SU](#) [MV-254-D](#) [MV-255](#) [MV-493](#) [MVE-252](#) [MVE-253](#) [MVEB-153](#) [1705142](#) [1-796689-8](#) [1841320000](#) [S451](#) [29.007](#) [29.116](#) [30.204](#)
[30.503](#) [30.756](#) [30.853](#) [9872-0-00-15-00-00-33-0](#) [996750](#) [1710052](#) [20020316-G071B01LF](#) [20020327-C061B01LF](#) [29590](#) [30.652](#) [30.710](#)
[30.754](#) [30.757](#) [32.058](#) [37.206](#) [37.208](#) [37.507](#) [37.558](#) [38331-5812](#) [38331-8018](#) [38540-1910](#) [39.002](#) [MBE-1517](#) [MBE-153](#)