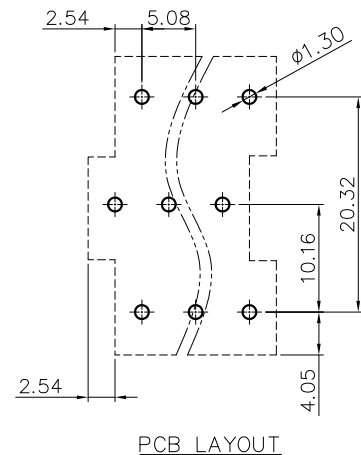
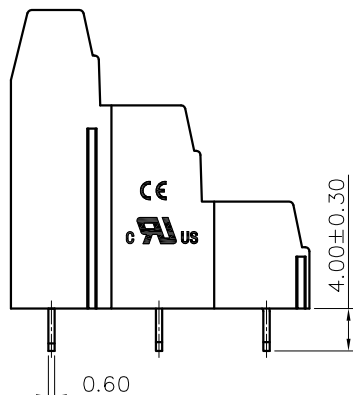
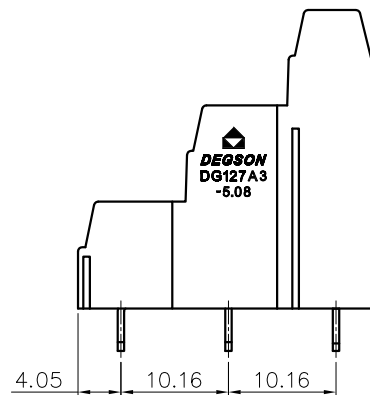
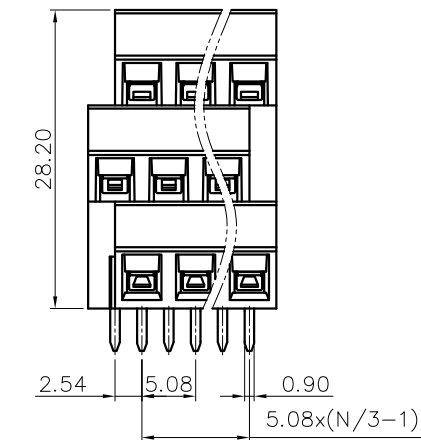
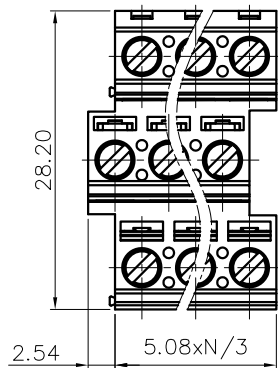


| REVISION RECORD | | | | |
|-----------------|-----|-------------|------|------|
| REV | ECN | DESCRIPTION | DRFT | DATE |
| | | | | |



NOTES1:

UL Standard

- Rated voltage/current : 300V / 12A
- Withstanding voltage : AC1600V/1Min.
- Torque value : M3 , 4.43Lb.in
- Wire range : 30~14AWG

IEC Standard

| | | | |
|--------------------------|-------|-------|-------|
| 1. Pollution degree | 2 | 2 | 3 |
| Overvoltage category | II | III | III |
| Rate impulse voltage(KV) | 4.0KV | 4.0KV | 4.0KV |
| Rate voltage(V) | 630V | 400V | 250V |
| Rate current(A) | 10A | | |

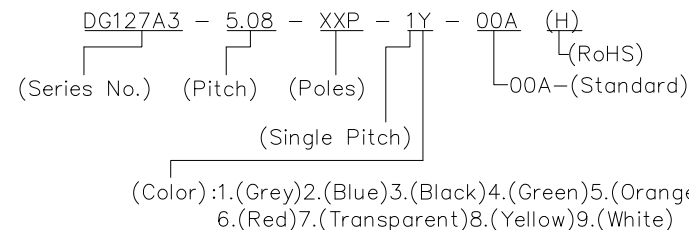
- Torque value : M3 , 0.5N·m
- Wire range : 0.2~1.5mm²

NOTES2:

- Dimension shall be interpreted per ASME Y14.5-2009
- Pitch : 5.08mm, Poles : N=06~72P
- Stripping length : 6~7mm
- Operating temperature: -40°C~+105°C
- Undimensioned tolerances:

| Pitch range in mm | | Nominal dimension range in mm | | | | | — | ∩ | □ |
|-------------------|---------|-------------------------------|---------|-------|---------|-------|---------|-----|---|
| TO | Over TO | TO | Over TO | TO | Over TO | TO | Over TO | TO | |
| 6 | 10 | 30 | 60 | 100 | 150 | 0.1 | 10 | | |
| ±0.15 | ±0.20 | ±0.30 | ±0.30 | ±0.50 | ±0.70 | ±1.00 | ±1.30 | ±2* | |

6.RoHS Compliance



| | | | | | |
|------------------------|-----------|-----------------------------------|----------------------|-----------|--|
| DETACHED LISTS | PART NO.: | / | | | |
| | APPD: | / | | | |
| | CHKD: | / | | | |
| | DRFT: | / | | | |
| NAME: | | NINGBO DEGSON ELECTRICAL CO., LTD | | | |
| NAME: | | DG127A3-5.08-XXP-1Y-00A(H) | | | |
| TITLE: | | CUSTOMER DRAWING | REV | DO | |
| DRAWING NO.: | | / | SHEET | 1/1 | |
| THIRD ANGLE PROJECTION | | MM (INCH) | DO NOT SCALE DRAWING | SCALE 1:1 | |

X-ON Electronics

Largest Supplier of Electrical and Electronic Components

Click to view similar products for [Fixed Terminal Blocks](#) category:

Click to view products by [Degson](#) manufacturer:

Other Similar products are found below :

[MBE-1512](#) [MBE-1520](#) [MBE-154](#) [MBE-156](#) [MBES-156](#) [MH-2512](#) [MHE-132](#) [MHE-163](#) [MI-254 \(35\)](#) [MPT-275](#) [ELM10110G](#) [BA311TU](#)
[BA411SU](#) [MV-254-D](#) [MV-255](#) [MV-493](#) [MVE-252](#) [MVE-253](#) [MVEB-153](#) [1705142](#) [1-796689-8](#) [1841320000](#) [S451](#) [29.007](#) [29.116](#) [30.204](#)
[30.503](#) [30.756](#) [30.853](#) [9872-0-00-15-00-00-33-0](#) [996750](#) [1710052](#) [20020316-G071B01LF](#) [20020327-C061B01LF](#) [29590](#) [30.652](#) [30.710](#)
[30.754](#) [30.757](#) [32.058](#) [37.206](#) [37.208](#) [37.507](#) [37.558](#) [38331-5812](#) [38331-8018](#) [38540-1910](#) [39.002](#) [MBE-1517](#) [MBE-153](#)