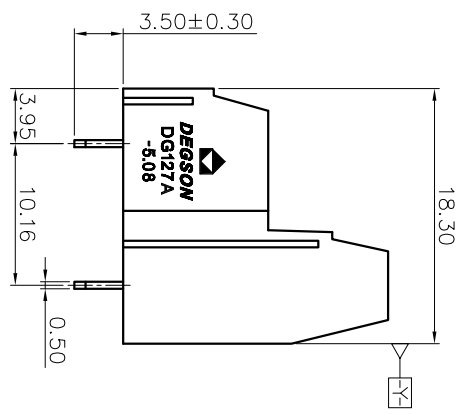
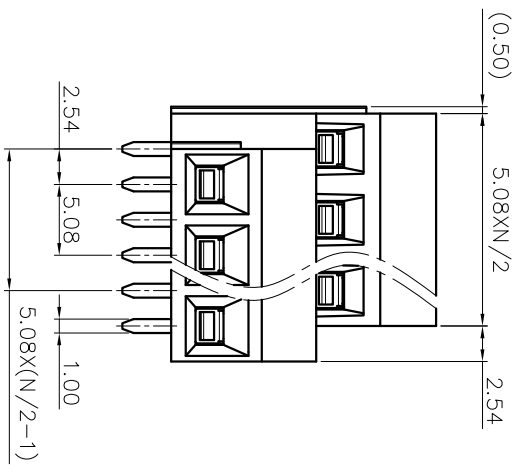
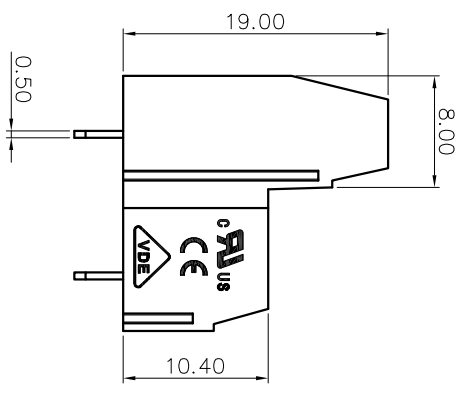
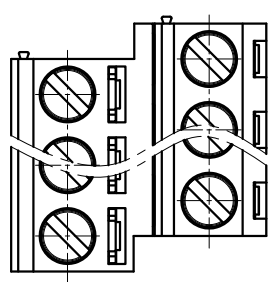


REVISION RECORD			
REV	ECN	DESCRIPTION	DRFT DATE

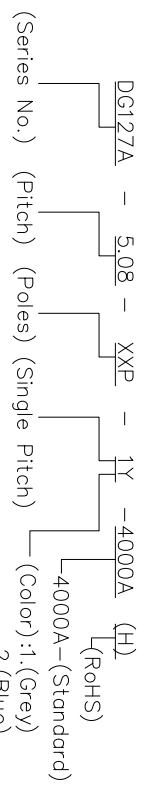


- NOTES1:
UL Standard
1. Rated Voltage/Current : 300V / 12A
2. Torque Value : M3 , 5.0Lb.in
3. Wire Range : 26~14AWG
- IEC Standard
1. Rated Voltage/Current : 250V / 15A
2. Torque Value : M3 , 0.5N.m
3. Wire Range : 0.5~1.5mm²

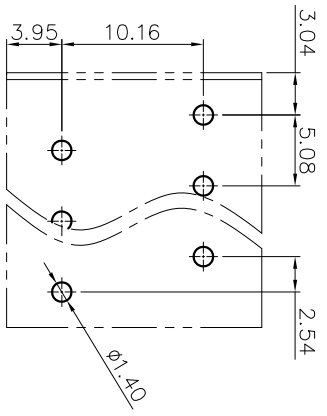
- NOTES2:
1. Dimension shall be interpreted per ASME Y14.5-2009
2. Pitch : 5.08mm, Poles : N=04~48P
3. Stripping length : 6~7mm
4. Withstanding Voltage : AC2000V/1Min.
5. Operating temperature: -40°C~+105°C
6. Undimensioned Tolerances:

Pitch Range	In mm		Nominal Dimension Range		Tolerance
	mm	In	mm	In	
6	Over 6	TO 10	Over 6	TO 100	0.1/10
10	Over 10	TO 24	Over 10	TO 150	∠
15	Over 15	TO 30	Over 15	TO 150	∠
20	Over 20	TO 30	Over 20	TO 150	∠
30	Over 30	TO 40	Over 30	TO 150	∠
40	Over 40	TO 50	Over 40	TO 150	∠
50	Over 50	TO 70	Over 50	TO 150	∠
70	Over 70	TO 100	Over 70	TO 150	∠
100	Over 100	TO 150	Over 100	TO 150	∠
150	Over 150	TO 150	Over 150	TO 150	∠
±0.15	±0.20	±0.30	±0.30	±0.70	±1.00
±1.30	±1.30	±1.30	±1.30	±1.30	±2°

7. RoHS Compliance



- (Series No.) : 1.(Grey)
2.(Blue)
3.(Black)
4.(Green)
5.(Orange)
6.(Red)
7.(Transparent)
8.(Yellow)
9.(White)



PCB LAYOUT

DETACHED LISTS			
PART NO.:	/	NAME:	DEGSON ® NINGBO DEGSON ELECTRICAL CO., LTD 宁波高松电子有限公司
APPD:	/	CHKD:	/
DRFT:	/	TITLE:	CUSTOMER DRAWING
THIRD ANGLE PROJECTION		DRAWING NO.:	/
		DO NOT SCALE DRAWING	SCALE
	1MM (INCH)		1:1

X-ON Electronics

Largest Supplier of Electrical and Electronic Components

Click to view similar products for [Aluminium Electrolytic Capacitors - Screw Terminal](#) category:

Click to view products by [Degson](#) manufacturer:

Other Similar products are found below :

[A331FH221M500A](#) [A331FB472M063A](#) [A331FD153M040A](#) [A331FD682M063A](#) [A331LH223M063A](#) [A331PM682M200A](#)
[36DA332F350CD2A](#) [ETOR401CTH902QEG8N](#) [C1808N680J302T](#) [A331PM472M250A](#) [500X822U450DG1B](#) [A331LH683M025A](#)
[A331LM333M063A](#) [A331TW682M500A](#) [500332U050BB2B](#) [ALS31B1003NX](#) [E32D600LPN133TDA5M](#) [550152M200BC2B](#)
[36DX253G075DC2A](#) [101C282U063AK2A](#) [DB301V-3.5-3P-GN](#) [DB301V-3.5-2P-GN](#) [WR479M1JT1LO5](#) [OBJ35](#) [OBJ35A](#)
[WL338M2WU1AD6](#) [WL 10000U/100V](#) [WL 4700U/200V](#) [B43310A5109M000](#) [B43310C9228M000](#) [B43310A9828M000](#)
[GT1H109M35060SB](#) [GT1H229M35100SB](#) [GT1J229M35120SB](#) [GT2A229M51100SB](#) [GT2W227M35060SB](#) [GT2W228M64120SB](#)
[WR229M1JS80O5](#) [WR188M2WS1MO5](#) [WL158M2WS1AO5](#) [WR478M2WU1PD6](#) [2738](#) [ALS30A151DB500](#) [ALS30A152KF350](#)
[ALS30A682DF100](#) [ALS31A103DE063](#) [ALS40A223DB025](#) [ALS40A223KF063](#) [ALS40A472DF100](#) [ALS40A473DF025](#)