

REVISION RECORD				
REV	ECN	DESCRIPTION	DRFT	DATE
1				

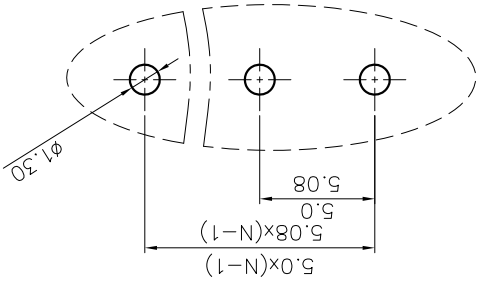
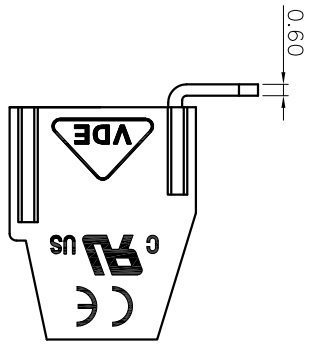
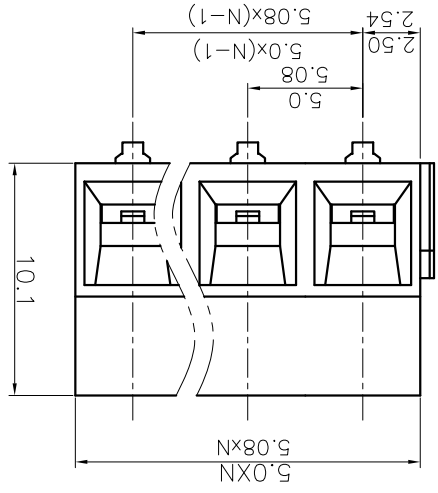
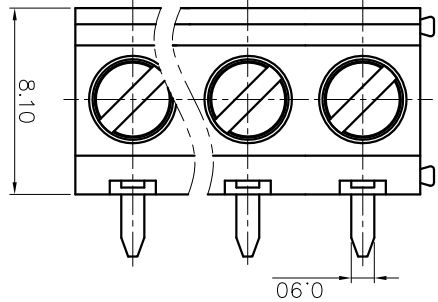
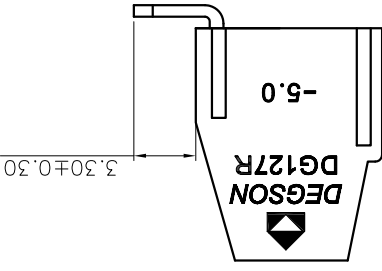
NOTES1:
 1.Rated Voltage/Current : 300V / 12A
 2.Torque Value : M2.5 , 3.54lb.in
 3.Wire Range : 26~14AWG
 IEC Standard

NOTES2:
 1.Dimension shall be interpreted per ASME Y14.5-2009
 2.Pitch : 5.0mm, Poles : N=02~XXP
 3.Stripping length : 6~7mm
 4.Withstanding Voltage : AC2000V/1Min.
 5.Operating temperature : -40°C~+105°C
 6.Undimensioned Tolerances:

Pitch range in mm	Nominal dimension range in mm	Over	Under
±0.15	±0.20	±0.30	±1.00
±0.20	±0.30	±0.50	±1.50
±0.30	±0.50	±0.70	±2.00
±0.50	±0.70	±1.00	±3.00
±0.70	±1.00	±1.50	±5.00
±1.00	±1.50	±2.00	±7.00
±1.50	±2.00	±3.00	±10.00
±2.00	±3.00	±5.00	±15.00
±3.00	±5.00	±10.00	±30.00
±5.00	±10.00	±20.00	±75.00
±7.00	±15.00	±30.00	±100.00
±10.00	±20.00	±40.00	±150.00
±15.00	±30.00	±60.00	±200.00
±20.00	±40.00	±80.00	±250.00
±30.00	±60.00	±100.00	±350.00
±40.00	±80.00	±150.00	±500.00
±60.00	±100.00	±200.00	±700.00
±80.00	±150.00	±250.00	±1000.00
±100.00	±200.00	±300.00	±1500.00
±150.00	±300.00	±400.00	±2000.00
±200.00	±400.00	±500.00	±2500.00
±300.00	±500.00	±600.00	±3000.00
±400.00	±600.00	±700.00	±3500.00
±500.00	±700.00	±800.00	±4000.00
±600.00	±800.00	±900.00	±4500.00
±700.00	±900.00	±1000.00	±5000.00
±800.00	±1000.00	±1100.00	±5500.00
±900.00	±1100.00	±1200.00	±6000.00
±1000.00	±1200.00	±1300.00	±6500.00
±1100.00	±1300.00	±1400.00	±7000.00
±1200.00	±1400.00	±1500.00	±7500.00
±1300.00	±1500.00	±1600.00	±8000.00
±1400.00	±1600.00	±1700.00	±8500.00
±1500.00	±1700.00	±1800.00	±9000.00
±1600.00	±1800.00	±1900.00	±9500.00
±1700.00	±1900.00	±2000.00	±10000.00
±1800.00	±2000.00	±2100.00	±10500.00
±1900.00	±2100.00	±2200.00	±11000.00
±2000.00	±2200.00	±2300.00	±11500.00
±2100.00	±2300.00	±2400.00	±12000.00
±2200.00	±2400.00	±2500.00	±12500.00
±2300.00	±2500.00	±2600.00	±13000.00
±2400.00	±2600.00	±2700.00	±13500.00
±2500.00	±2700.00	±2800.00	±14000.00
±2600.00	±2800.00	±2900.00	±14500.00
±2700.00	±2900.00	±3000.00	±15000.00
±2800.00	±3000.00	±3100.00	±15500.00
±2900.00	±3100.00	±3200.00	±16000.00
±3000.00	±3200.00	±3300.00	±16500.00
±3100.00	±3300.00	±3400.00	±17000.00
±3200.00	±3400.00	±3500.00	±17500.00
±3300.00	±3500.00	±3600.00	±18000.00
±3400.00	±3600.00	±3700.00	±18500.00
±3500.00	±3700.00	±3800.00	±19000.00
±3600.00	±3800.00	±3900.00	±19500.00
±3700.00	±3900.00	±4000.00	±20000.00
±3800.00	±4000.00	±4100.00	±20500.00
±3900.00	±4100.00	±4200.00	±21000.00
±4000.00	±4200.00	±4300.00	±21500.00
±4100.00	±4300.00	±4400.00	±22000.00
±4200.00	±4400.00	±4500.00	±22500.00
±4300.00	±4500.00	±4600.00	±23000.00
±4400.00	±4600.00	±4700.00	±23500.00
±4500.00	±4700.00	±4800.00	±24000.00
±4600.00	±4800.00	±4900.00	±24500.00
±4700.00	±4900.00	±5000.00	±25000.00
±4800.00	±5000.00	±5100.00	±25500.00
±4900.00	±5100.00	±5200.00	±26000.00
±5000.00	±5200.00	±5300.00	±26500.00
±5100.00	±5300.00	±5400.00	±27000.00
±5200.00	±5400.00	±5500.00	±27500.00
±5300.00	±5500.00	±5600.00	±28000.00
±5400.00	±5600.00	±5700.00	±28500.00
±5500.00	±5700.00	±5800.00	±29000.00
±5600.00	±5800.00	±5900.00	±29500.00
±5700.00	±5900.00	±6000.00	±30000.00
±5800.00	±6000.00	±6100.00	±30500.00
±5900.00	±6100.00	±6200.00	±31000.00
±6000.00	±6200.00	±6300.00	±31500.00
±6100.00	±6300.00	±6400.00	±32000.00
±6200.00	±6400.00	±6500.00	±32500.00
±6300.00	±6500.00	±6600.00	±33000.00
±6400.00	±6600.00	±6700.00	±33500.00
±6500.00	±6700.00	±6800.00	±34000.00
±6600.00	±6800.00	±6900.00	±34500.00
±6700.00	±6900.00	±7000.00	±35000.00
±6800.00	±7000.00	±7100.00	±35500.00
±6900.00	±7100.00	±7200.00	±36000.00
±7000.00	±7200.00	±7300.00	±36500.00
±7100.00	±7300.00	±7400.00	±37000.00
±7200.00	±7400.00	±7500.00	±37500.00
±7300.00	±7500.00	±7600.00	±38000.00
±7400.00	±7600.00	±7700.00	±38500.00
±7500.00	±7700.00	±7800.00	±39000.00
±7600.00	±7800.00	±7900.00	±39500.00
±7700.00	±7900.00	±8000.00	±40000.00
±7800.00	±8000.00	±8100.00	±40500.00
±7900.00	±8100.00	±8200.00	±41000.00
±8000.00	±8200.00	±8300.00	±41500.00
±8100.00	±8300.00	±8400.00	±42000.00
±8200.00	±8400.00	±8500.00	±42500.00
±8300.00	±8500.00	±8600.00	±43000.00
±8400.00	±8600.00	±8700.00	±43500.00
±8500.00	±8700.00	±8800.00	±44000.00
±8600.00	±8800.00	±8900.00	±44500.00
±8700.00	±8900.00	±9000.00	±45000.00
±8800.00	±9000.00	±9100.00	±45500.00
±8900.00	±9100.00	±9200.00	±46000.00
±9000.00	±9200.00	±9300.00	±46500.00
±9100.00	±9300.00	±9400.00	±47000.00
±9200.00	±9400.00	±9500.00	±47500.00
±9300.00	±9500.00	±9600.00	±48000.00
±9400.00	±9600.00	±9700.00	±48500.00
±9500.00	±9700.00	±9800.00	±49000.00
±9600.00	±9800.00	±9900.00	±49500.00
±9700.00	±9900.00	±10000.00	±50000.00

DG127R -- 5.0/5.08 -- XXP -- 1X -- 00A (H)
 (Series No.) (Pitch) (Poles) (Standard)
 (Rohs)
 00A--(Standard)
 Color: 1.(Grey)2.(Blue)3.(Black)4.(Green)5.(Orange)
 6.(Red)7.(Transparent)8.(Yellow)9.(White)

7.Rohs Compliance



PART NO.:	/	
	NINGBO DEGSON ELECTRICAL CO.,LTD	
NAME:	DG127R-5.0/5.08-XXP-1Y-00A(H)	
APPD:	/	
CHKD:	/	
DRFT:	/	
TITLE:	CUSTOMER DRAWING	REV
D0		
DRAWING NO.:	/	
SHEET:	/	
1/1		
THIRD ANGLE PROJECTION		
DO NOT SCALE DRAWING		
SCALE	1:1	

1 2 3 4 5 6 7 8

A B C D E F G H

X-ON Electronics

Largest Supplier of Electrical and Electronic Components

Click to view similar products for [Pluggable Terminal Blocks](#) category:

Click to view products by [Degson](#) manufacturer:

Other Similar products are found below :

[57.404.7553](#) [57.504.0053.7](#) [57.510.0053](#) [57.910.6153](#) [01.112.1453](#) [CTB932VE/6](#) [MC 1.5/ 6-ST-3.5 GY AU](#) [ET02015000J0G](#) [734-104](#) [734-302](#) [734-304](#) [8-141-P](#) [FKCT 2.5/ 3-ST KMGY](#) [860505](#) [860508](#) [860516](#) [860810](#) [861908](#) [GBPACX-12](#) [93.731.4953.0](#) [PV05-5,08-K](#) [PVP02-5,00](#) [PVP04-3,50](#) [PVS02-5,00](#) [1-1986160-3](#) [H-10](#) [1546228-5](#) [ELFH09150](#) [ELFH16150](#) [ELFP03110](#) [ELFT06250](#) [ELFT07250](#) [ELVF09400](#) [ELVP03100](#) [ELXH03100](#) [ELXH071G0E](#) [ELXP041G0](#) [ELXT046G0](#) [1700101](#) [1700410](#) [1700425](#) [1703176](#) [1705229](#) [1710175](#) [1714537](#) [1717806](#) [1719600](#) [1729386](#) [1734692](#) [1734795](#)