

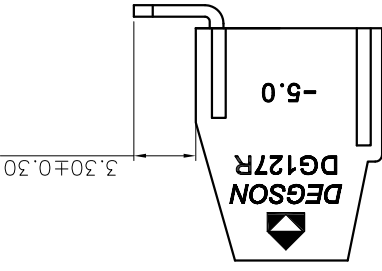
REVISION RECORD				
REV	ECN	DESCRIPTION	DRFT	DATE

NOTES1:
 1.Rated Voltage/Current : 300V / 12A
 2.Torque Value : M2.5 , 3.54lb.in
 3.Wire Range : 26~14AWG
 IEC Standard

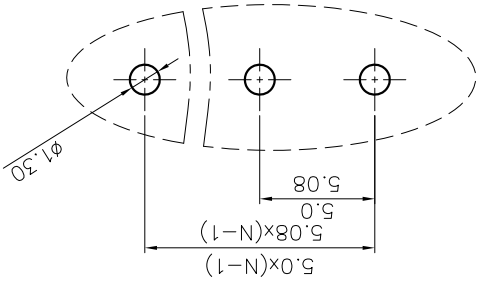
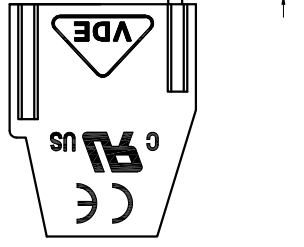
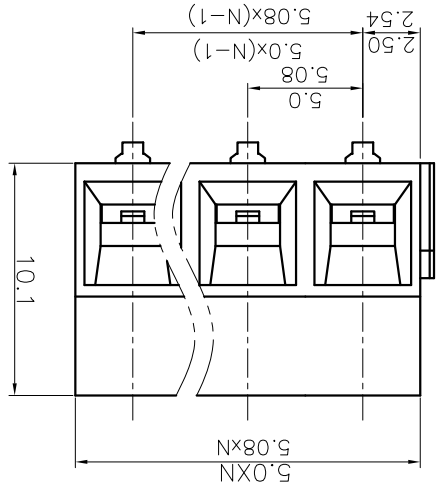
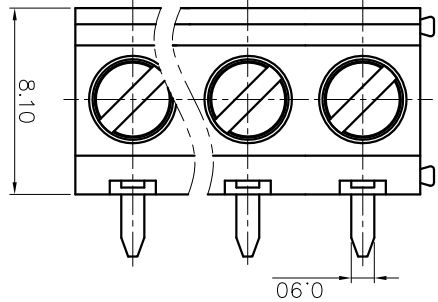
NOTES2:
 1.Dimension shall be interpreted per ASME Y14.5-2009
 2.Pitch : 5.0mm, Poles : N=02~XXP
 3.Stripping length : 6~7mm
 4.Withstanding Voltage : AC2000V/1Min.
 5.Operating temperature : -40°C~+105°C
 6.Undimensioned Tolerances:

Pitch range in mm	Nominal dimension range in mm	Over	Over	Over	Over	Over	Over	±2
±0.15	±0.20	±0.30	±0.50	±0.70	±1.00	±1.30	±1.50	±2
6	10	10	24	30	60	100	150	≤
TO	TO	TO	TO	TO	TO	TO	TO	0.1/10
Over	Over	Over	Over	Over	Over	Over	Over	0.1/10

7.RoHS Compliance



DG127R -- 5.0/5.08 -- XXP -- 1X -- 00A (H)
 (Series No.) (Pitch) (Poles) (Standard)
 (Rohs)
 00A--(Standard)
 Color: 1.(Grey)2.(Blue)3.(Black)4.(Green)5.(Orange)
 6.(Red)7.(Transparent)8.(Yellow)9.(White)



PART NO.:	/	
	NINGBO DEGSON ELECTRICAL CO.,LTD	
NAME:	DG127R-5.0/5.08-XXP-1Y-00A(H)	
APPD:	/	
CHKD:	/	
DRFT:	/	
TITLE:	CUSTOMER DRAWING	REV
DRAWING NO.:	/	SHEET
DO NOT SCALE DRAWING		SCALE
THIRD ANGLE PROJECTION		1:1

X-ON Electronics

Largest Supplier of Electrical and Electronic Components

Click to view similar products for [Pluggable Terminal Blocks](#) category:

Click to view products by [Degson](#) manufacturer:

Other Similar products are found below :

[57.404.7553](#) [57.504.0053.7](#) [57.510.0053](#) [57.910.6153](#) [01.112.1453](#) [CTB932VE/6](#) [MC 1.5/ 6-ST-3.5 GY AU](#) [ET02015000J0G](#) [734-104](#) [734-302](#) [734-304](#) [8-141-P](#) [FKCT 2.5/ 3-ST KMGY](#) [860505](#) [860508](#) [860516](#) [860810](#) [861908](#) [GBPACX-12](#) [93.731.4953.0](#) [PV05-5,08-K](#) [PVP02-5,00](#) [PVP04-3,50](#) [PVS02-5,00](#) [1-1986160-3](#) [H-10](#) [1546228-5](#) [ELFH09150](#) [ELFH16150](#) [ELFP03110](#) [ELFT06250](#) [ELFT07250](#) [ELVF09400](#) [ELVP03100](#) [ELXH03100](#) [ELXH071G0E](#) [ELXP041G0](#) [ELXT046G0](#) [1700101](#) [1700410](#) [1700425](#) [1703176](#) [1705229](#) [1710175](#) [1714537](#) [1717806](#) [1719600](#) [1729386](#) [1734692](#) [1734795](#)