

8

7

6

5

4

3

2

1

A

B

C

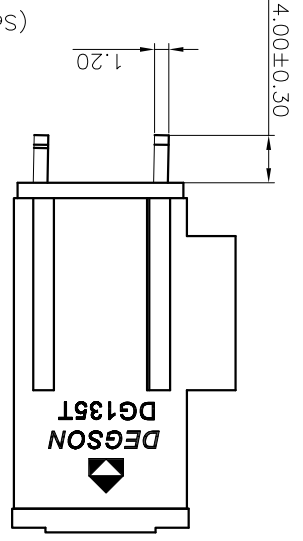
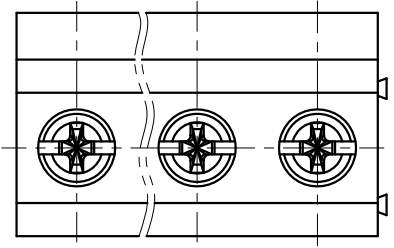
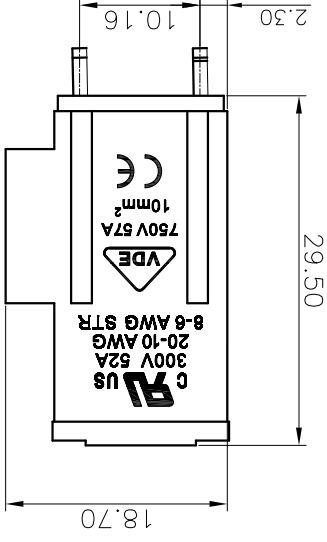
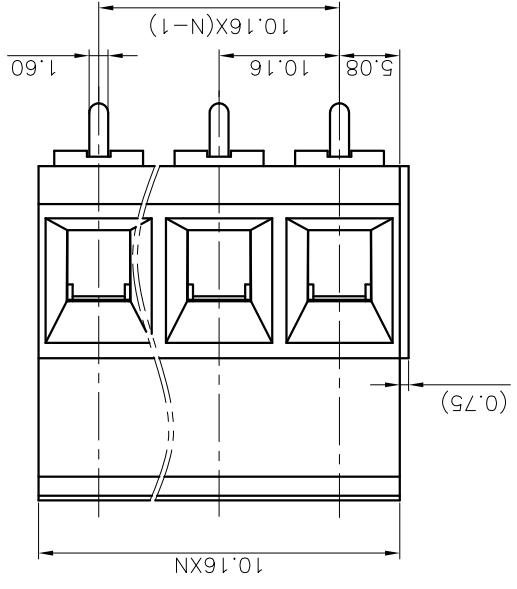
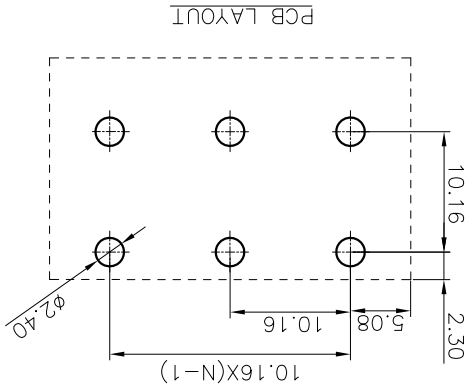
D

E

F

G

H



DETACHED LISTS

| | |
|-----------|----------------------------|
| PART NO.: | / |
| APPD: | / |
| CHKD: | / |
| DRFT: | / |
| NAME: | DG135T-10.16-XXP-1Y-00A(H) |
| TITLE: | CUSTOMER DRAWING |
| REV | DO |
| SHEET | 1/1 |
| SCALE | 1:1 |

THIRD ANGLE PROJECTION

DO NOT SCALE DRAWING

DRAWING NO.:

MM (INCH)

NINGBO DEGSON ELECTRICAL CO., LTD
 宁波高松电子有限公司
 DEGSON®

NAME: DG135T-10.16-XXP-1Y-00A(H)

TITLE: CUSTOMER DRAWING

REV: DO

SHEET: 1/1

SCALE: 1:1

9.(White)
 8.(Yellow)
 7.(Transparent)
 6.(Red)
 5.(Orange)
 4.(Green)
 3.(Black)
 2.(Blue)
 1.(Grey)

(Series No.)(Pitch) (Poles) (Single Pitch)(Color):1.(Grey)
 00A-(Standard)
 (RHS)
 DG135T - 10.16 - XXP - 1Y - 00A (H)

7.RoHS Compliance

| Pitch range in mm | Over | Over | Over | Over | Over | Over | Over | Over | Over |
|-------------------|-------|-------|-------|-------|-------|-------|------|------|------|
| ±0.15 | ±0.20 | ±0.30 | ±0.50 | ±0.70 | ±1.00 | ±1.30 | ±2.0 | ±2.0 | ±2.0 |
| 6 | 10 | 10 | 30 | 60 | 100 | 150 | 150 | 150 | 150 |
| 10 | 10 | 10 | 30 | 60 | 100 | 150 | 150 | 150 | 150 |
| 6 | 10 | 10 | 30 | 60 | 100 | 150 | 150 | 150 | 150 |
| 10 | 10 | 10 | 30 | 60 | 100 | 150 | 150 | 150 | 150 |
| 10 | 10 | 10 | 30 | 60 | 100 | 150 | 150 | 150 | 150 |
| 10 | 10 | 10 | 30 | 60 | 100 | 150 | 150 | 150 | 150 |
| 10 | 10 | 10 | 30 | 60 | 100 | 150 | 150 | 150 | 150 |
| 10 | 10 | 10 | 30 | 60 | 100 | 150 | 150 | 150 | 150 |
| 10 | 10 | 10 | 30 | 60 | 100 | 150 | 150 | 150 | 150 |

1.Dimension shall be interpreted per ASME Y14.5-2009
 2.Pitch : 10.16mm, Poles : N=02~XXP
 3.Stripping length : 10~11mm
 4.Withstanding Voltage : AC3000V/1Min.
 5.Operating temperature: -30°C~+120°C
 6.Undimensioned Tolerances:

NOTES2:
 1.Rated Voltage/Current : 750V / 57A
 2.Torque Value : M4, 1.2N.m
 3.Wire Range : 10mm²
 IEC Standard

NOTES1:
 1.Rated Voltage/Current : 300V / 52A
 2.Torque Value : M4, 10.53lb.in
 3.Wire Range : 20~6AWG
 UL Standard

REVISION RECORD

| REV | ECN | DESCRIPTION | DRFT | DATE |
|-----|-----|-------------|------|------|
| | | | | |

X-ON Electronics

Largest Supplier of Electrical and Electronic Components

Click to view similar products for [Aluminium Electrolytic Capacitors - Screw Terminal](#) category:

Click to view products by [Degson](#) manufacturer:

Other Similar products are found below :

[A331FH221M500A](#) [A331FB472M063A](#) [A331FD153M040A](#) [A331FD682M063A](#) [A331LH223M063A](#) [A331PM682M200A](#)
[36DA332F350CD2A](#) [ETOR401CTH902QEG8N](#) [C1808N680J302T](#) [A331PM472M250A](#) [500X822U450DG1B](#) [A331LH683M025A](#)
[A331LM333M063A](#) [A331TW682M500A](#) [500332U050BB2B](#) [ALS31B1003NX](#) [E32D600LPN133TDA5M](#) [550152M200BC2B](#)
[36DX253G075DC2A](#) [101C282U063AK2A](#) [DB301V-3.5-3P-GN](#) [DB301V-3.5-2P-GN](#) [WR479M1JT1LO5](#) [OBJ35](#) [OBJ35A](#)
[WL338M2WU1AD6](#) [WL 10000U/100V](#) [WL 4700U/200V](#) [B43310A5109M000](#) [B43310C9228M000](#) [B43310A9828M000](#)
[GT1H109M35060SB](#) [GT1H229M35100SB](#) [GT1J229M35120SB](#) [GT2A229M51100SB](#) [GT2W227M35060SB](#) [GT2W228M64120SB](#)
[WR229M1JS80O5](#) [WR188M2WS1MO5](#) [WL158M2WS1AO5](#) [WR478M2WU1PD6](#) [2738](#) [ALS30A151DB500](#) [ALS30A152KF350](#)
[ALS30A682DF100](#) [ALS31A103DE063](#) [ALS40A223DB025](#) [ALS40A223KF063](#) [ALS40A472DF100](#) [ALS40A473DF025](#)