

8

7

6

5

4

3

2

1

A

B

C

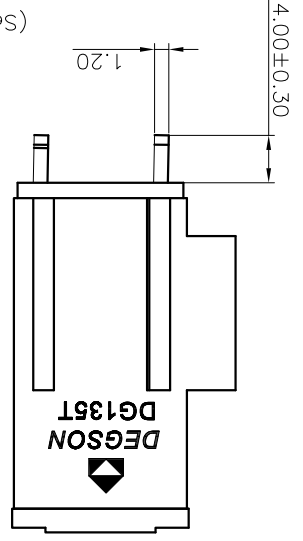
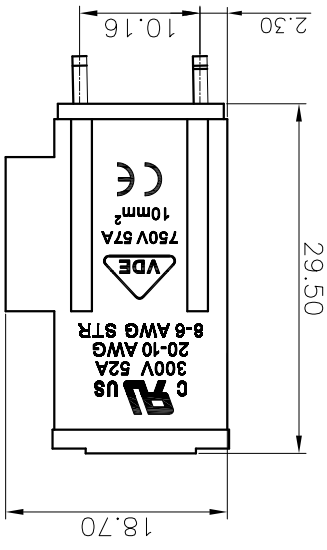
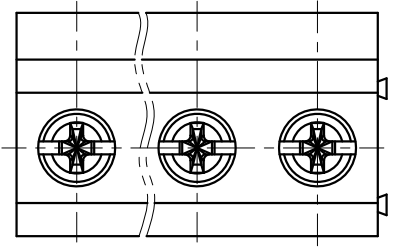
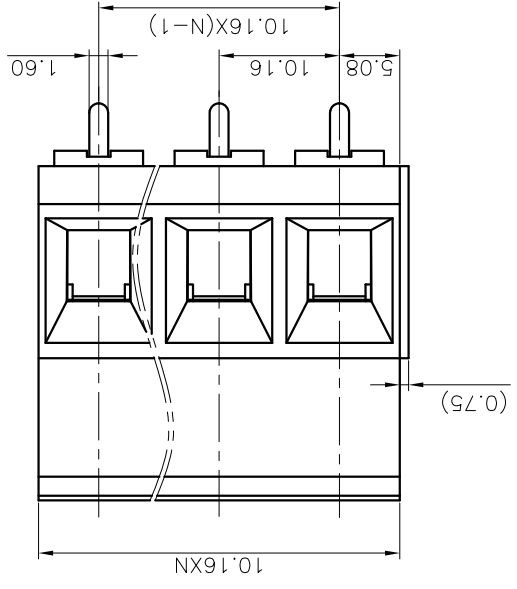
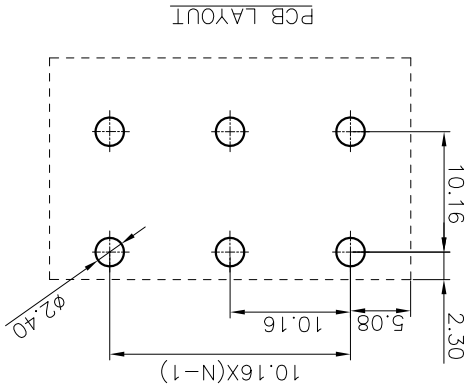
D

E

F

G

H



DETACHED LISTS

PART NO.:	/
APPD:	/
CHKD:	/
DRFT:	/
NAME:	DG135T-10.16-XXP-1Y-00A(H)
TITLE:	CUSTOMER DRAWING
REV	DO
SHEET	1/1
SCALE	1:1

THIRD ANGLE PROJECTION

DO NOT SCALE DRAWING

DRAWING NO.:

MM (INCH)

NINGBO DEGSON ELECTRICAL CO., LTD
 宁波高松电子有限公司
DEGSON[®]

NAME: DG135T-10.16-XXP-1Y-00A(H)
 TITLE: CUSTOMER DRAWING
 REV: DO
 SHEET: 1/1
 SCALE: 1:1

9.(White)
 8.(Yellow)
 7.(Transparent)
 6.(Red)
 5.(Orange)
 4.(Green)
 3.(Black)
 2.(Blue)
 1.(Grey)

(Series No.)(Pitch) (Poles) (Single Pitch)(Color):1.(Grey)
 00A-(Standard)
 (RHS)
 DG135T - 10.16 - XXP - 1Y - 00A (H)

7.RoHS Compliance

Pitch range in mm	Over	Over	Over	Over	Over	Over	Over	Over	Over
±0.15	±0.20	±0.30	±0.50	±0.70	±1.00	±1.30	±2.0	±2.0	±2.0
6	10	10	30	60	100	150	150	150	150
10	6	10	30	60	100	150	150	150	150
10	6	10	30	60	100	150	150	150	150
10	6	10	30	60	100	150	150	150	150
10	6	10	30	60	100	150	150	150	150
10	6	10	30	60	100	150	150	150	150
10	6	10	30	60	100	150	150	150	150
10	6	10	30	60	100	150	150	150	150
10	6	10	30	60	100	150	150	150	150

1.Dimension shall be interpreted per ASME Y14.5-2009
 2.Pitch : 10.16mm, Poles : N=02~XXP
 3.Stripping length : 10~11mm
 4.Withstanding Voltage : AC3000V/1Min.
 5.Operating temperature: -30°C~+120°C
 6.Undimensioned Tolerances:

NOTES2:
 1.Rated Voltage/Current : 750V / 57A
 2.Torque Value : M4, 1.2N.m
 3.Wire Range : 10mm²
 IEC Standard

NOTES1:
 1.Rated Voltage/Current : 300V / 52A
 2.Torque Value : M4, 10.53lb.in
 3.Wire Range : 20~6AWG
 UL Standard

REVISION RECORD

REV	ECN	DESCRIPTION	DRFT	DATE

X-ON Electronics

Largest Supplier of Electrical and Electronic Components

Click to view similar products for [Fixed Terminal Blocks](#) category:

Click to view products by [Degson](#) manufacturer:

Other Similar products are found below :

[00175550202](#) [MBE-1512](#) [MBE-1520](#) [MBE-154](#) [MBE-156](#) [MBES-1510](#) [MBES-153](#) [MBES-156](#) [MH-2512](#) [MHE-132](#) [MHE-133](#) [MHE-163](#)
[MI-254 \(35\)](#) [MI-272](#) [8739](#) [880507](#) [880508](#) [MPT-275](#) [1546551-6](#) [ELM023100](#) [ELM10110G](#) [ELVD12100](#) [BA311TU](#) [BA411SU](#) [MV-152](#)
[MV-253/NCNOC](#) [MV-254-D](#) [MV-255](#) [MV-462](#) [MV-472](#) [MV-493](#) [MVE-252](#) [MVE-253](#) [MVE-258](#) [MVE-273](#) [MVEB-153](#) [1700096](#)
[1702246](#) [1705142](#) [1712417](#) [1713020](#) [1713088](#) [1776118-2](#) [1790852](#) [1-796689-8](#) [1-796692-6](#) [1800001](#) [1800114](#) [1823215](#) [1838462](#)