

| REVISION RECORD | | | | |
|-----------------|-----|-------------|------|------|
| REV | ECN | DESCRIPTION | DRFT | DATE |
| | | | | |

NOTES:
 1. Rated voltage/current : 600V / 10A(01P), 300V / 10A(02P/03P)
 2. Wire range : 20~16AWG
 IEC Standard

| 1. Pollution degree | 2 | 2 | 3 |
|--------------------------|-------|-------|-------|
| Overvoltage category | II | III | III |
| Rate impulse voltage(kV) | 4.0kV | 4.0kV | 4.0kV |
| Rate voltage(V) | 320V | 200V | 200V |
| Rate current(A) | 17.5A | | |

2. Wire range : 0.5~1.5mm²

NOTES2:

1. Dimension shall be interpreted per ASME Y14.5-2009

2. Pitch : 6.00mm, Poles : N=01~03P

3. Stripping length : 9~11mm

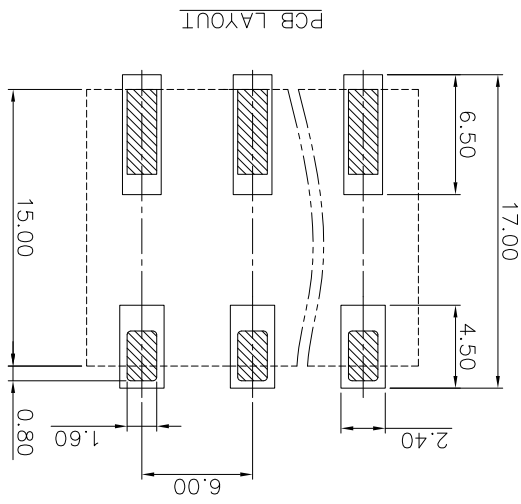
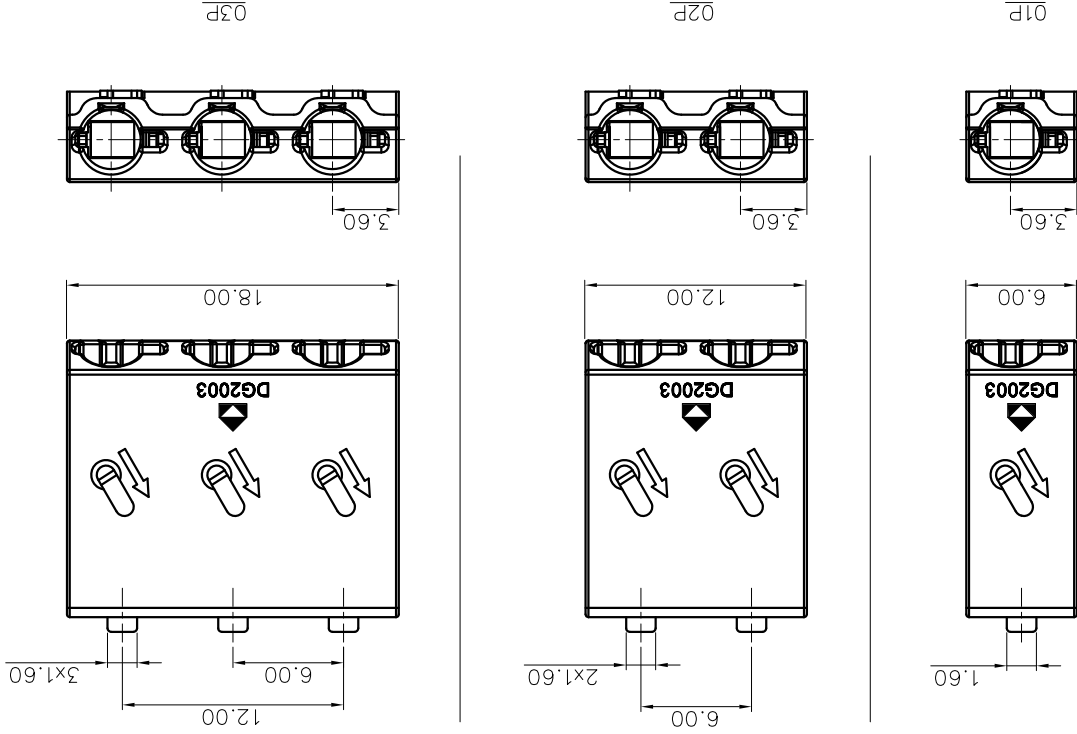
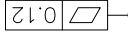
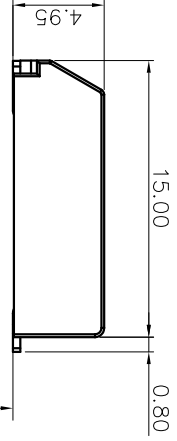
4. Operating temperature: -40°C~+130°C

5. Undimensioned tolerances:

| Pitch range in mm | Nominal dimension range in mm | Over | TO |
|-------------------|-------------------------------|------|----|
| ±2 | ±1.30 | 150 | 6 |
| ±2 | ±1.00 | 100 | 10 |
| ±2 | ±0.70 | 60 | 10 |
| ±2 | ±0.50 | 30 | 24 |
| ±2 | ±0.30 | 10 | 6 |
| ±2 | ±0.20 | 10 | 10 |

6. RoHS Compliance

DG2003 - 6.0 - XXP - 1Y - 01A (H)
 (Series No.) (Pitch) (Poles) (Single Pitch) (Color):1.(Grey)
 01A-(Customer request)
 3.(Black)
 (RoHS)



| PART NO.: | | NAME: | | APPD.: | | CHKD.: | | DRFT.: | | DETACHED LISTS | |
|-----------------------------------|--|-----------------------------------|--|--------|--|----------------------|--|--------|--|------------------------|--|
| NINGBO DEGSON ELECTRICAL CO., LTD | | NINGBO DEGSON ELECTRICAL CO., LTD | | / | | / | | / | | THIRD ANGLE PROJECTION | |
| DRAWING NO.: | | TTL: | | CHKD.: | | APPD.: | | DRFT.: | | THIRD ANGLE PROJECTION | |
| / | | CUSTOMER DRAWING | | / | | / | | / | | THIRD ANGLE PROJECTION | |
| SCALE | | REV | | SHEET | | DO NOT SCALE DRAWING | | SCALE | | THIRD ANGLE PROJECTION | |
| 1:1 | | D0 | | 1/1 | | DO NOT SCALE DRAWING | | 1:1 | | THIRD ANGLE PROJECTION | |

1 2 3 4 5 6 7 8

A B C D E F G H

X-ON Electronics

Largest Supplier of Electrical and Electronic Components

Click to view similar products for [Headers & Wire Housings](#) category:

Click to view products by [Degson](#) manufacturer:

Other Similar products are found below :

[95000-104TRLF](#) [10135584-644402LF](#) [DF62W-EP2022PCA](#) [95000-106TRLF](#) [DF62W-2022SCA](#) [DF62W-EP2022PC](#) [2203348](#) [DF62W-2022SC](#) [1084018](#) [1029039](#) [1084017](#) [802-10-012-10-002000](#) [1112640](#) [1112639](#) [891-007-9SS-BST1T](#) [000-34000](#) [0008550134](#) [0009482033](#) [0009507031](#) [57102-F02-18ULF](#) [57102-S06-03LF](#) [57202-S52-04LF](#) [PCN6-15S-2.5E](#) [0039019024](#) [58102-G61-06LF](#) [582553-1](#) [0009485154](#) [0009508121](#) [0022285053](#) [0050291907](#) [018731A](#) [LY20-4P-DT1-P1E-BR](#) [02.125.8002.8](#) [60101931](#) [60598-1 \(Cut Strip\)](#) [M1625-3R/100](#) [61062-3](#) [61082-181009](#) [CSU011177004](#) [636-1427](#) [638009-1](#) [641938-9](#) [641991-4](#) [644168-1](#) [644827-2](#) [647662-1](#) [65039-019ELF](#) [65692-001LF](#) [65781-018](#) [65781-047](#)