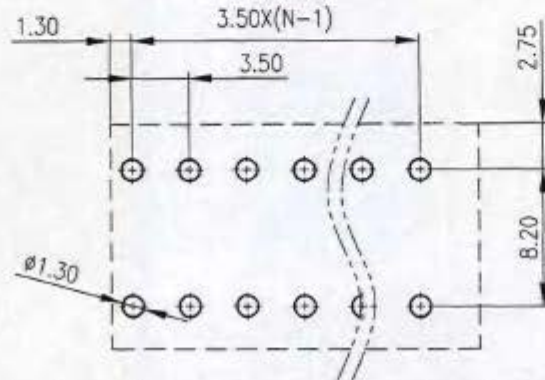


PCB LAYOUT



NOTES1:

UL Standard

- 1. Rated voltage/current : 300V / 10A
- 2. Withstanding voltage : AC1600V/1Min.
- 3. Wire range : 24~16AWG

IEC Standard

1. Pollution degree	2	2	3
Overvoltage category	II	III	III
Rate impulse voltage(KV)	2.5KV	2.5KV	2.5KV
Rate voltage(V)	400V	200V	160V
Rate current(A)		17.5A	

2. Wire range : 0.2~1.5mm<sup>2</sup>

NOTES2:

- 1. Dimension shall be interpreted per ASME Y14.5-2009
- 2. Pitch : 3.50mm, Poles : N=01~24P
- 3. Stripping length : 10mm
- 4. Operating temperature: -40°C~+105°C
- 5. Undimensioned tolerances:

Pitch range in mm	Nominal dimension range in mm					Tolerance
	Over 6 TO 8	Over 10 TO 10	Over 10 TO 24	Over 30 TO 30	Over 60 TO 60	
±0.15	±0.20	±0.20	±0.30	±0.50	±0.70	±1.00
						±1.30

6. RoHS Compliance

4	Spring	Stainless steel	
3	Pin header	Copper	Sn Plated
2	Housing	PA66	UL94V-0
1	Cover	PA66	UL94V-0
ITEM	NAME OF PART	MATERIAL	NOTES

MATERIAL: / SURFACE: /

MAT NO.: / STATUS: /

APPD: *Li Gao 2019.12.24* NAME: **DEGSON** 宁波高松电子有限公司  
NINGBO DEGSON ELECTRICAL CO., LTD

CHKD: / **DG271V-3.5-XXP-1Y-00A(H)**

DRFT: MaEK 2019.12.23 DRAWING NO.: DG271V-3.5-C01 REV TO

SIZE: A4 TYPE: CUSTOMER DRAWING SCALE: 2.5:1 SHEET 1/1



REV	ECN	DESCRIPTION	DRFT	DATE

## X-ON Electronics

Largest Supplier of Electrical and Electronic Components

*Click to view similar products for [Fixed Terminal Blocks](#) category:*

*Click to view products by [Degson](#) manufacturer:*

Other Similar products are found below :

[MBE-1512](#) [MBE-1520](#) [MBE-154](#) [MBE-156](#) [MBES-156](#) [MH-2512](#) [MHE-132](#) [MHE-163](#) [MI-254 \(35\)](#) [MPT-275](#) [ELM10110G](#) [BA311TU](#)  
[BA411SU](#) [MV-254-D](#) [MV-255](#) [MV-493](#) [MVE-252](#) [MVE-253](#) [MVEB-153](#) [1705142](#) [1-796689-8](#) [1841320000](#) [S451](#) [29.007](#) [29.116](#) [30.204](#)  
[30.503](#) [30.756](#) [30.853](#) [9872-0-00-15-00-00-33-0](#) [996750](#) [1710052](#) [20020316-G071B01LF](#) [20020327-C061B01LF](#) [29590](#) [30.652](#) [30.710](#)  
[30.754](#) [30.757](#) [32.058](#) [37.206](#) [37.208](#) [37.507](#) [37.558](#) [38331-5812](#) [38331-8018](#) [38540-1910](#) [39.002](#) [MBE-1517](#) [MBE-153](#)