

REVISION RECORD				
REV	ECN	DESCRIPTION	DRFT	DATE

NOTES1:
 UL Standard
 1.Rated voltage/current : 150V / 6A
 2.Torque value : M1.6 , 1.29Lb.in
 3.Wire range : 26~18AWG

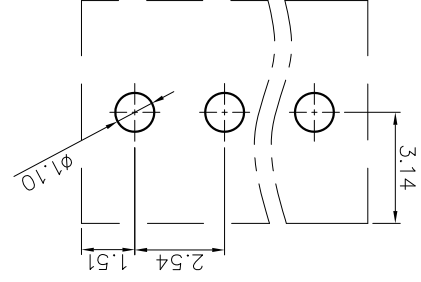
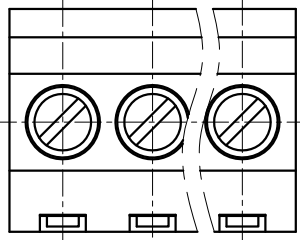
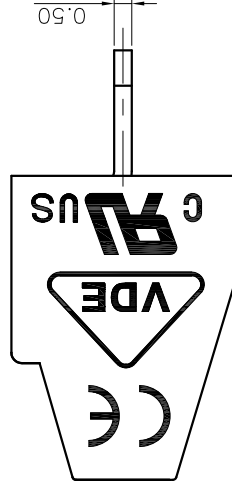
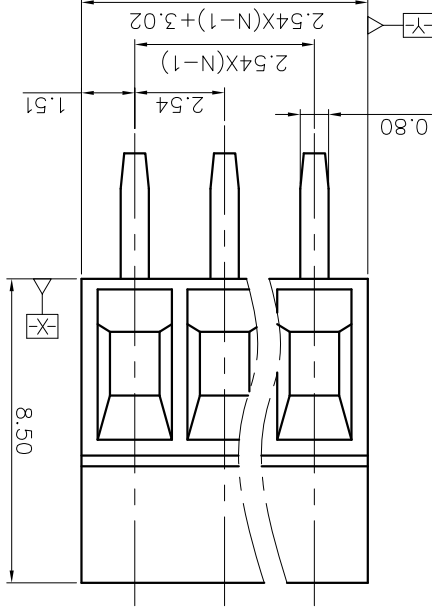
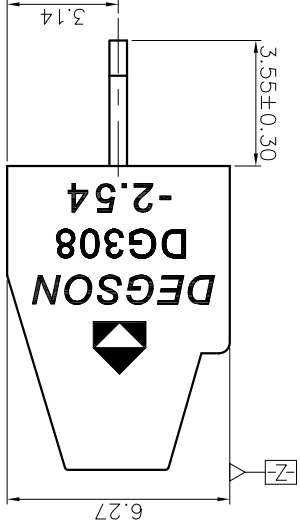
IEC Standard
 1.Rated voltage/current : 130V / 8A
 2.Torque value : M1.6 , 0.15N.m
 3.Wire range : 0.5~1.0mm²

NOTES2:
 1.Dimension shall be interpreted per ASME Y14.5-2009
 2.Pitch : 2.54mm, Poles : N=02-12P
 3.Stripping length : 4~5mm
 4.Withstanding voltage : AC1250V/1Min
 5.Operating temperature: -40°C~+105°C
 6.Undimensioned tolerances:

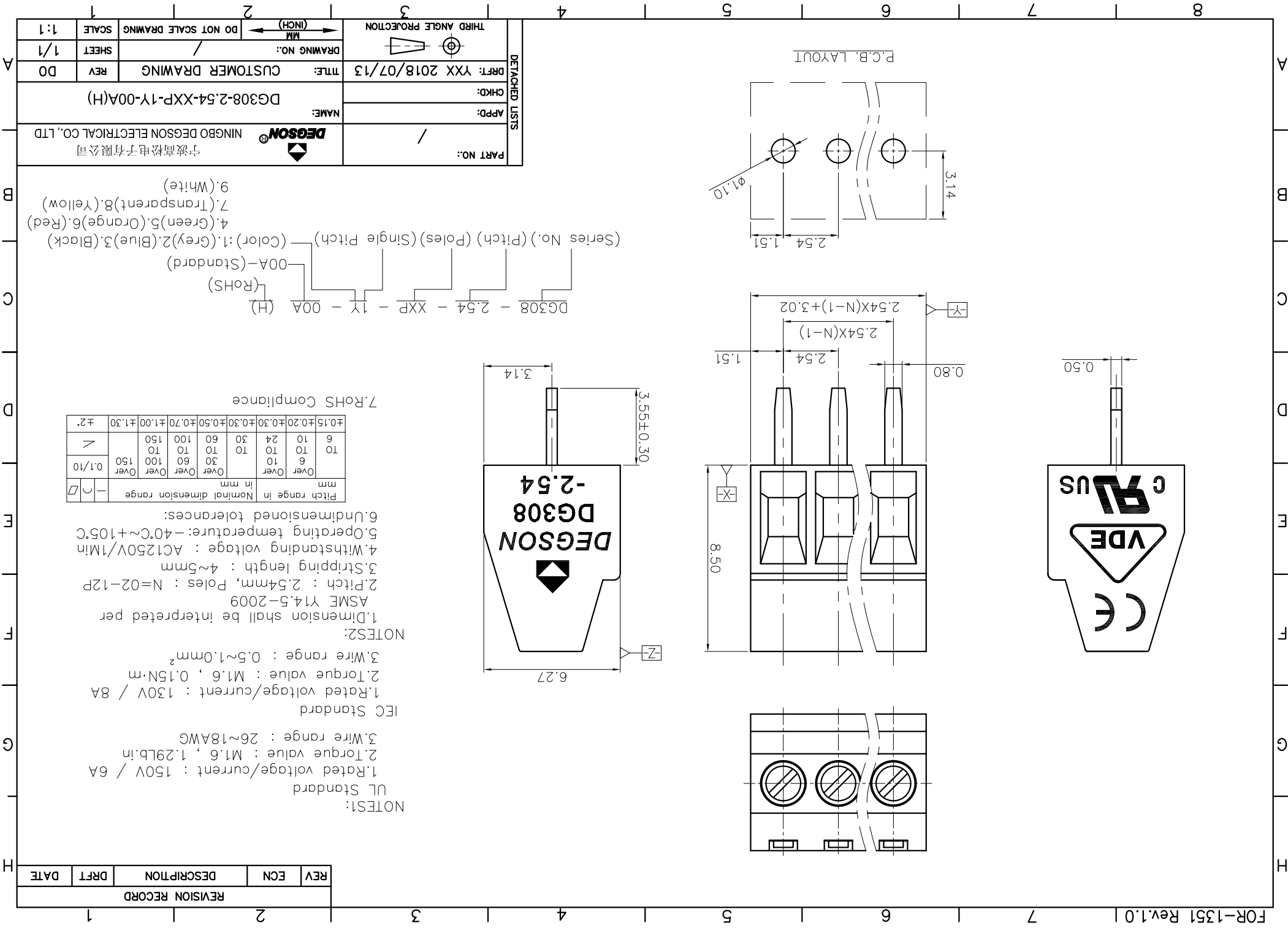
Pitch range in mm	Nominal dimension range	
	Over	Under
6 TO 10	Over 0.1/10	Under 0.1/10
10 TO 30	Over 0.15	Under 0.15
30 TO 60	Over 0.20	Under 0.20
60 TO 100	Over 0.30	Under 0.30
100 TO 150	Over 0.50	Under 0.50
150 TO 300	Over 0.70	Under 0.70
300 TO 600	Over 1.00	Under 1.00
600 TO 1500	Over 1.50	Under 1.50
1500 TO 3000	Over 2.00	Under 2.00

7.RoHS Compliance

DG308 - 2.54 - XXP - 1Y - 00A (H)
 (Series No.)(Pitch) (Poles) (Single Pitch)
 (Color):1.(Grey)2.(Blue)3.(Black)
 4.(Green)5.(Orange)6.(Red)
 7.(Transparent)8.(Yellow)
 9.(White)
 (RoHS)



PART NO.:	NINGBO DEGSON ELECTRICAL CO.,LTD	
	宁波高松电子有限公司	
	NAME:	DG308-2.54-XXP-1Y-00A(H)
	APPD:	
DETACHED LISTS	DRFT: YXX 2018/07/13	TITLE: CUSTOMER DRAWING
	CHKD:	
	DRAWING NO.:	
	SHEET:	1/1
THIRD ANGLE PROJECTION	DO NOT SCALE DRAWING	SCALE 1:1
	(INCH)	



X-ON Electronics

Largest Supplier of Electrical and Electronic Components

Click to view similar products for [Aluminium Electrolytic Capacitors - Screw Terminal](#) category:

Click to view products by [Degson](#) manufacturer:

Other Similar products are found below :

[A331FH221M500A](#) [A331FB472M063A](#) [A331FD153M040A](#) [A331FD682M063A](#) [A331LH223M063A](#) [A331PM682M200A](#)
[36DA332F350CD2A](#) [ETOR401CTH902QEG8N](#) [C1808N680J302T](#) [A331PM472M250A](#) [500X822U450DG1B](#) [A331LH683M025A](#)
[A331LM333M063A](#) [A331TW682M500A](#) [500332U050BB2B](#) [ALS31B1003NX](#) [E32D600LPN133TDA5M](#) [550152M200BC2B](#)
[36DX253G075DC2A](#) [101C282U063AK2A](#) [DB301V-3.5-3P-GN](#) [DB301V-3.5-2P-GN](#) [WR479M1JT1LO5](#) [OBJ35](#) [OBJ35A](#)
[WL338M2WU1AD6](#) [WL 10000U/100V](#) [WL 4700U/200V](#) [B43310A5109M000](#) [B43310C9228M000](#) [B43310A9828M000](#)
[GT1H109M35060SB](#) [GT1H229M35100SB](#) [GT1J229M35120SB](#) [GT2A229M51100SB](#) [GT2W227M35060SB](#) [GT2W228M64120SB](#)
[WR229M1JS80O5](#) [WR188M2WS1MO5](#) [WL158M2WS1AO5](#) [WR478M2WU1PD6](#) [2738](#) [ALS30A151DB500](#) [ALS30A152KF350](#)
[ALS30A682DF100](#) [ALS31A103DE063](#) [ALS40A223DB025](#) [ALS40A223KF063](#) [ALS40A472DF100](#) [ALS40A473DF025](#)