

| REVISION RECORD | | | | |
|-----------------|-----|-------------|------|------|
| REV | ECN | DESCRIPTION | DRFT | DATE |
| | | | | |

NOTES1:

- 1. Rated voltage/current : 300V / 10A
- 2. Torque Value : M2 , 1.77Lb.in
- 3. Wire Range : 26~16AWG

IEC Standard

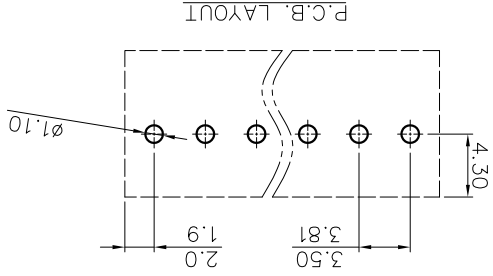
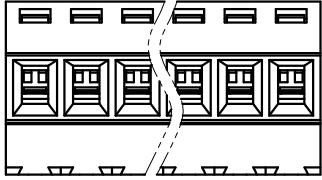
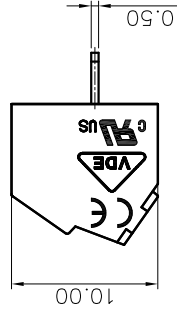
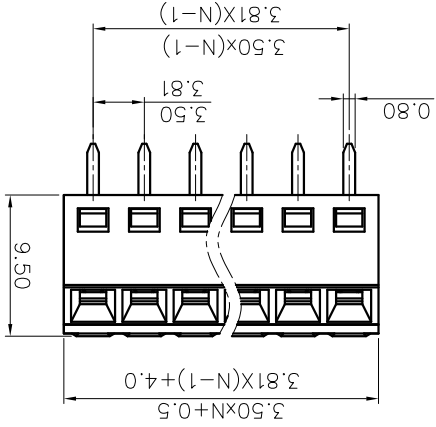
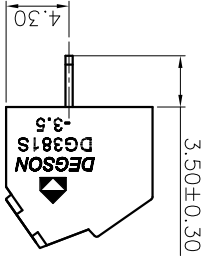
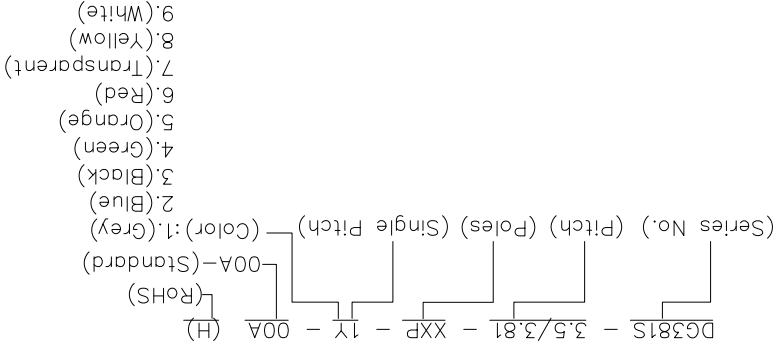
- 1. Rated voltage/current : 130V / 10A
- 2. Torque Value : M2 , 0.2N.m
- 3. Wire Range : 0.2~1.5mm²

NOTES2:

- 1. Dimension shall be interpreted per ASME Y14.5-2009
- 2. Pitch : 3.5/3.81mm, Poles : N=02~18P
- 3. Striping length : 4~5mm
- 4. Withstanding voltage : AC1250V/1M/in
- 5. Operating temperature : -40°C~+105°C
- 6. Undimensioned tolerances:

| Pitch range in mm | Nominal dimension range | mm | mm |
|-------------------|-------------------------|-------|-------|
| Over | Over | Over | Over |
| 6 | 10 | 30 | 60 |
| 10 | 10 | 30 | 60 |
| 15 | 10 | 30 | 60 |
| 20 | 10 | 30 | 60 |
| 24 | 10 | 30 | 60 |
| 30 | 10 | 30 | 60 |
| ±0.30 | ±0.30 | ±0.50 | ±0.70 |
| ±0.15 | ±0.20 | ±0.30 | ±1.00 |
| ±2. | ±2. | ±1.30 | ±1.30 |

7. RoHS Compliance



DETACHED LISTS

| | |
|-----------|-----------------------------------|
| PART NO.: | / |
| APPD.: | / |
| CHKD.: | / |
| DRFT.: | / |
| NAME: | NINGBO DEGSON ELECTRICAL CO., LTD |
| TITLE: | CUSTOMER DRAWING |
| REV | DO |
| SHEET | 1/1 |
| SCALE | 1:1 |

THIRD ANGLE PROJECTION



DO NOT SCALE DRAWING

DRAWING NO.:

1:1

1

2

3

4

5

6

7

8

A

B

C

D

E

F

G

H

A

B

C

D

E

F

G

H

X-ON Electronics

Largest Supplier of Electrical and Electronic Components

Click to view similar products for [Aluminium Electrolytic Capacitors - Screw Terminal](#) category:

Click to view products by [Degson](#) manufacturer:

Other Similar products are found below :

[A331FH221M500A](#) [A331FB472M063A](#) [A331FD153M040A](#) [A331FD682M063A](#) [A331LH223M063A](#) [A331PM682M200A](#)
[36DA332F350CD2A](#) [ETOR401CTH902QEG8N](#) [C1808N680J302T](#) [A331PM472M250A](#) [500X822U450DG1B](#) [A331LH683M025A](#)
[A331LM333M063A](#) [A331TW682M500A](#) [500332U050BB2B](#) [ALS31B1003NX](#) [E32D600LPN133TDA5M](#) [550152M200BC2B](#)
[36DX253G075DC2A](#) [101C282U063AK2A](#) [DB301V-3.5-3P-GN](#) [DB301V-3.5-2P-GN](#) [WR479M1JT1LO5](#) [OBJ35](#) [OBJ35A](#)
[WL338M2WU1AD6](#) [WL 10000U/100V](#) [WL 4700U/200V](#) [B43310A5109M000](#) [B43310C9228M000](#) [B43310A9828M000](#)
[GT1H109M35060SB](#) [GT1H229M35100SB](#) [GT1J229M35120SB](#) [GT2A229M51100SB](#) [GT2W227M35060SB](#) [GT2W228M64120SB](#)
[WR229M1JS80O5](#) [WR188M2WS1MO5](#) [WL158M2WS1AO5](#) [WR478M2WU1PD6](#) [2738](#) [ALS30A151DB500](#) [ALS30A152KF350](#)
[ALS30A682DF100](#) [ALS31A103DE063](#) [ALS40A223DB025](#) [ALS40A223KF063](#) [ALS40A472DF100](#) [ALS40A473DF025](#)