

REVISION RECORD				
REV	ECN	DESCRIPTION	DRFT	DATE
1				

NOTE1: UL Standard

1.Rated voltage/current : 300V / 10A
 2.Torque Value : M2, 1.77Lb.in
 3.Wire Range : 26~16AWG

IEC Standard

1.Rated voltage/current : 130V / 10A
 2.Torque Value : M2, 0.2N.m
 3.Wire Range : 0.2~1.5mm²

NOTE2:

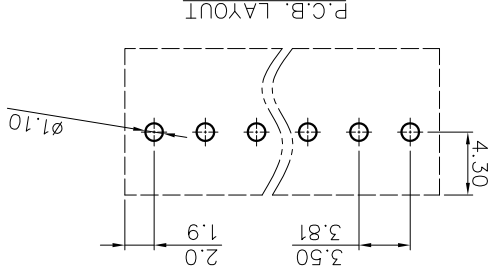
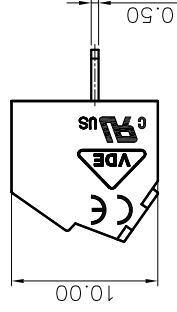
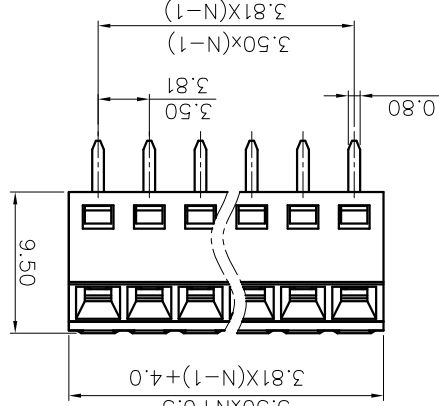
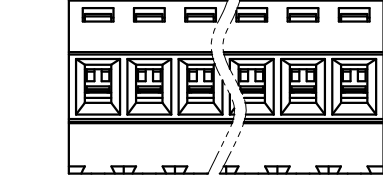
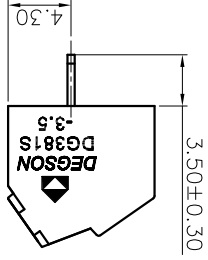
1.Dimension shall be interpreted per
 ASME Y14.5-2009

2.Pitch : 3.5/3.81mm, Poles : N=02~18P
 3.Stripping length : 4~5mm
 4.Withstanding voltage : AC1250V/1M/in
 5.Operating temperature : -40°C~+105°C
 6.Undimensioned tolerances:

Pitch range in mm	Nominal dimension range	Over	Under
6 to 10	±0.15	Over	Under
10 to 24	±0.20	Over	Under
24 to 30	±0.30	Over	Under
30 to 60	±0.50	Over	Under
60 to 100	±0.70	Over	Under
100 to 150	±1.00	Over	Under
150 to 300	±1.30	Over	Under

7.RoHS Compliance

DG381S - 3.5/3.81 - XXP - 1Y - 00A (H)
 (Series No.) (Pitch) (Poles) (Single Pitch) (Color):1.(Grey)
 2.(Blue)
 3.(Black)
 4.(Green)
 5.(Orange)
 6.(Red)
 7.(Transparent)
 8.(Yellow)
 9.(White)



DETACHED LISTS

PART NO.:	/
NAME:	NINGBO DEGSON ELECTRICAL CO.,LTD
APPD.:	/
CHKD.:	/
DRFT.:	/
TITLE:	CUSTOMER DRAWING
REV	DO
SHEET	1/1
SCALE	1:1

THIRD ANGLE PROJECTION



DO NOT SCALE DRAWING

DRAWING NO.:

SCALE

1:1

X-ON Electronics

Largest Supplier of Electrical and Electronic Components

Click to view similar products for [Aluminium Electrolytic Capacitors - Screw Terminal](#) category:

Click to view products by [Degson](#) manufacturer:

Other Similar products are found below :

[A331FH221M500A](#) [A331FB472M063A](#) [A331FD153M040A](#) [A331FD682M063A](#) [A331LH223M063A](#) [A331PM682M200A](#)
[36DA332F350CD2A](#) [ETOR401CTH902QEG8N](#) [C1808N680J302T](#) [A331PM472M250A](#) [500X822U450DG1B](#) [A331LH683M025A](#)
[A331LM333M063A](#) [A331TW682M500A](#) [500332U050BB2B](#) [ALS31B1003NX](#) [E32D600LPN133TDA5M](#) [550152M200BC2B](#)
[36DX253G075DC2A](#) [101C282U063AK2A](#) [DB301V-3.5-3P-GN](#) [DB301V-3.5-2P-GN](#) [WR479M1JT1LO5](#) [OBJ35](#) [OBJ35A](#)
[WL338M2WU1AD6](#) [WL 10000U/100V](#) [WL 4700U/200V](#) [B43310A5109M000](#) [B43310C9228M000](#) [B43310A9828M000](#)
[GT1H109M35060SB](#) [GT1H229M35100SB](#) [GT1J229M35120SB](#) [GT2A229M51100SB](#) [GT2W227M35060SB](#) [GT2W228M64120SB](#)
[WR229M1JS80O5](#) [WR188M2WS1MO5](#) [WL158M2WS1AO5](#) [WR478M2WU1PD6](#) [2738](#) [ALS30A151DB500](#) [ALS30A152KF350](#)
[ALS30A682DF100](#) [ALS31A103DE063](#) [ALS40A223DB025](#) [ALS40A223KF063](#) [ALS40A472DF100](#) [ALS40A473DF025](#)