

REVISION RECORD			
REV	ECN	DESCRIPTION	DATE

NOTES1:  
 UL Standard  
 1.Rated voltage/current : 300V / 20A  
 2.Torque value : M2.5 , 3.54lb.in  
 3.Wire range : 30~12AWG

IEC Standard  
 1.Rated voltage/current : 250V / 18A  
 2.Torque value : M2.5 , 0.4N.m  
 3.Wire range : 1.0~2.5mm<sup>2</sup>

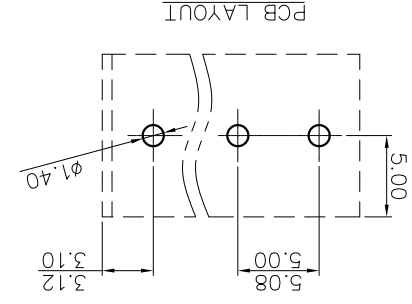
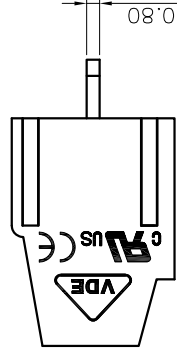
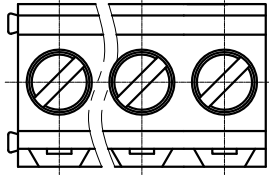
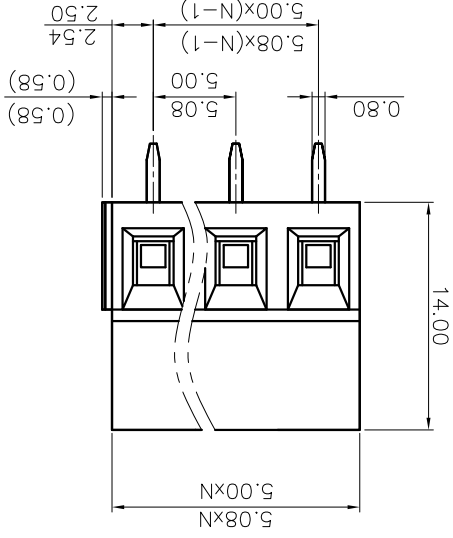
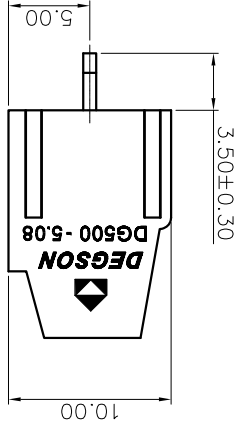
NOTES2:

1.Dimension shall be interpreted per ASME Y14.5-2009  
 2.Pitch : 7.62mm, Poles : N=02~XXP  
 3.Stripping length : 6~7mm  
 4.Withstanding voltage : AC2000V/1Min  
 5.Operating temperature : -40°C~+105°C  
 6.Undimensioned tolerances:

Pitch range in mm	Nominal dimension range in mm	Over	Under
6 TO 10	6 TO 10	0.15	0.10
10 TO 15	10 TO 15	0.20	0.15
15 TO 20	15 TO 20	0.30	0.20
20 TO 24	20 TO 24	0.30	0.20
24 TO 30	24 TO 30	0.50	0.30
30 TO 60	30 TO 60	0.70	0.50
60 TO 100	60 TO 100	1.00	0.70
100 TO 150	100 TO 150	1.30	1.00
150 TO 200	150 TO 200	1.50	1.30
200 TO 300	200 TO 300	2.00	1.50
300 TO 500	300 TO 500	2.50	2.00
500 TO 1000	500 TO 1000	3.00	2.50
1000 TO 2000	1000 TO 2000	4.00	3.00
2000 TO 5000	2000 TO 5000	5.00	4.00
5000 TO 10000	5000 TO 10000	6.00	5.00

7.RoHS Compliance

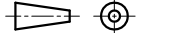
DG500 - 5.0/5.08 - XXP - 1Y - 00A (H)  
 (RoHS)  
 00A-(Standard)  
 (Color:1:(Grey)  
 2:(Blue)  
 3:(Black)  
 4:(Green)  
 5:(Orange)  
 6:(Red)  
 7:(Transparent)  
 8:(Yellow)  
 9:(White)



DETACHED LISTS

PART NO.:	/
NAME:	NINGBO DEGSON ELECTRICAL CO., LTD
APPD:	/
CHKD:	/
DRAFT:	/
TITLE:	CUSTOMER DRAWING
REV	DO
SHEET	1/1
DRAWING NO.:	/
SCALE	1:1
DO NOT SCALE DRAWING	1:1

THIRD ANGLE PROJECTION



(INCH)

2

1

A

B

C

D

E

F

G

H

A

B

C

D

E

F

G

H

## X-ON Electronics

Largest Supplier of Electrical and Electronic Components

*Click to view similar products for [Aluminium Electrolytic Capacitors - Screw Terminal](#) category:*

*Click to view products by [Degson](#) manufacturer:*

Other Similar products are found below :

[A331FH221M500A](#) [A331FB472M063A](#) [A331FD153M040A](#) [A331FD682M063A](#) [A331LH223M063A](#) [A331PM682M200A](#)  
[36DA332F350CD2A](#) [ETOR401CTH902QEG8N](#) [C1808N680J302T](#) [A331PM472M250A](#) [500X822U450DG1B](#) [A331LH683M025A](#)  
[A331LM333M063A](#) [A331TW682M500A](#) [500332U050BB2B](#) [ALS31B1003NX](#) [E32D600LPN133TDA5M](#) [550152M200BC2B](#)  
[36DX253G075DC2A](#) [101C282U063AK2A](#) [DB301V-3.5-3P-GN](#) [DB301V-3.5-2P-GN](#) [WR479M1JT1LO5](#) [OBJ35](#) [OBJ35A](#)  
[WL338M2WU1AD6](#) [WL 10000U/100V](#) [WL 4700U/200V](#) [B43310A5109M000](#) [B43310C9228M000](#) [B43310A9828M000](#)  
[GT1H109M35060SB](#) [GT1H229M35100SB](#) [GT1J229M35120SB](#) [GT2A229M51100SB](#) [GT2W227M35060SB](#) [GT2W228M64120SB](#)  
[WR229M1JS80O5](#) [WR188M2WS1MO5](#) [WL158M2WS1AO5](#) [WR478M2WU1PD6](#) [2738](#) [ALS30A151DB500](#) [ALS30A152KF350](#)  
[ALS30A682DF100](#) [ALS31A103DE063](#) [ALS40A223DB025](#) [ALS40A223KF063](#) [ALS40A472DF100](#) [ALS40A473DF025](#)