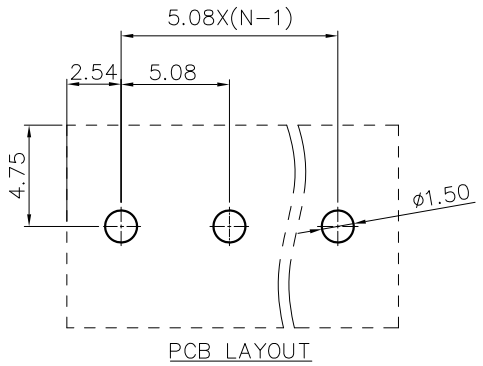
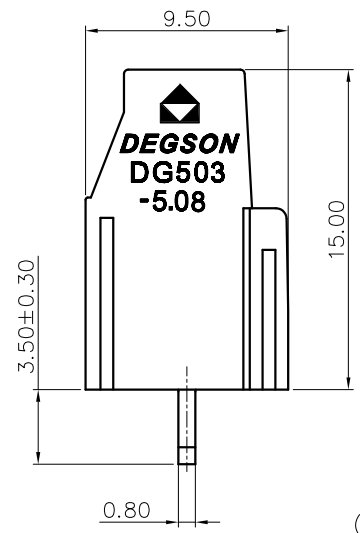
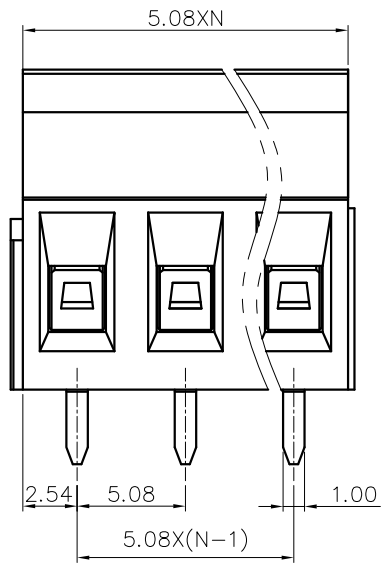
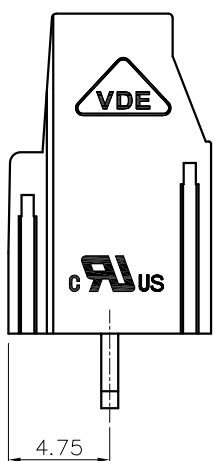
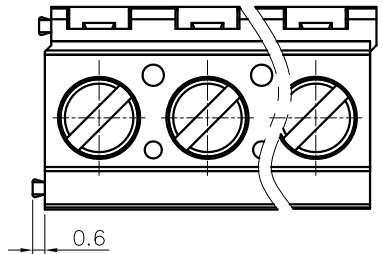


| REVISION RECORD | | | | |
|-----------------|-----|-------------|------|------|
| REV | ECN | DESCRIPTION | DRFT | DATE |



NOTES1:
 UL Standard
 1.Rated Voltage/Current : 300V / 20A
 2.Torque Value : M3 , 4.43Lb.in
 3.Wire Range : 28~12AWG

IEC Standard
 1.Rated Voltage/Current : 450V / 20A
 2.Torque Value : M3 , 0.5N.m
 3.Wire Range : 0.2~2.5mm²

NOTES2:
 1.Dimension shall be interpreted per ASME Y14.5-2009
 2.Pitch : 5.08mm, Poles : N=2~12P
 3.Stripping length : 6~7mm
 4.Withstanding Voltage : AC2500V/1Min.
 5.Operating temperature : -40°C~+105°C
 6.Undimensioned Tolerances:

| Pitch range in mm | | Nominal dimension range in mm | | | | | |
|-------------------|---------|-------------------------------|---------|-------|---------|--------|-----|
| TO | Over TO | TO | Over TO | TO | Over TO | 0.1/10 | |
| 6 | 10 | 30 | 60 | 100 | 150 | < | |
| ±0.15 | ±0.20 | ±0.30 | ±0.50 | ±0.70 | ±1.00 | ±1.30 | ±2° |

7.RoHS Compliance

DG503 - 5.08 - XXP - 1Y - 00A (H)
 (Series No.) (Pitch) (Poles) (Single Pitch) (Color):1.(Grey)
 2.(Blue)
 3.(Black)
 4.(Green)
 5.(Orange)
 6.(Red)
 7.(Transparent)
 8.(Yellow)
 9.(White)

| | | | | | |
|------------------------|-----------|-----------------------------------|----------------------|-------|-----|
| DETACHED LISTS | PART NO.: | NINGBO DEGSON ELECTRICAL CO., LTD | | | |
| | APPD: | NAME: DG503-5.08-XXP-1Y-00A(H) | | | |
| | CHKD: | TITLE: CUSTOMER DRAWING | | REV | DO |
| | DRFT: | DRAWING NO.: | | SHEET | 1/1 |
| THIRD ANGLE PROJECTION | | MM (INCH) | DO NOT SCALE DRAWING | SCALE | 1:1 |

X-ON Electronics

Largest Supplier of Electrical and Electronic Components

Click to view similar products for [Fixed Terminal Blocks](#) category:

Click to view products by [Degson](#) manufacturer:

Other Similar products are found below :

[MBE-1512](#) [MBE-1520](#) [MBE-154](#) [MBE-156](#) [MBES-156](#) [MH-2512](#) [MHE-132](#) [MHE-163](#) [MI-254 \(35\)](#) [MPT-275](#) [ELM10110G](#) [BA311TU](#)
[BA411SU](#) [MV-254-D](#) [MV-255](#) [MV-493](#) [MVE-252](#) [MVE-253](#) [MVEB-153](#) [1705142](#) [1-796689-8](#) [1841320000](#) [S451](#) [29.007](#) [29.116](#) [30.204](#)
[30.503](#) [30.756](#) [30.853](#) [9872-0-00-15-00-00-33-0](#) [996750](#) [1710052](#) [20020316-G071B01LF](#) [20020327-C061B01LF](#) [29590](#) [30.652](#) [30.710](#)
[30.754](#) [30.757](#) [32.058](#) [37.206](#) [37.208](#) [37.507](#) [37.558](#) [38331-5812](#) [38331-8018](#) [38540-1910](#) [39.002](#) [MBE-1517](#) [MBE-153](#)