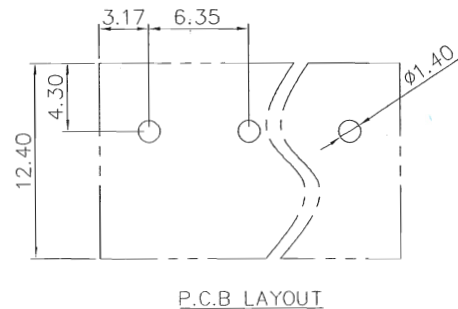
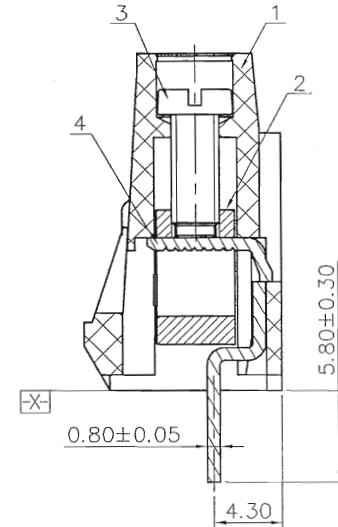
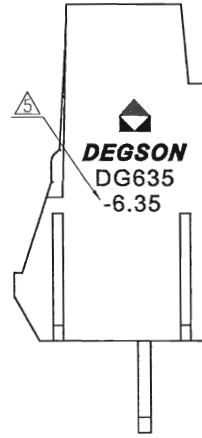
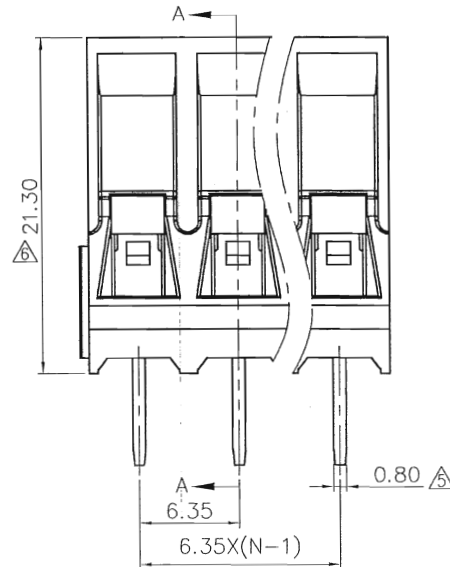
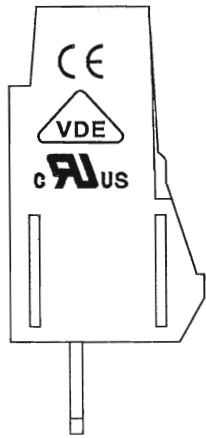
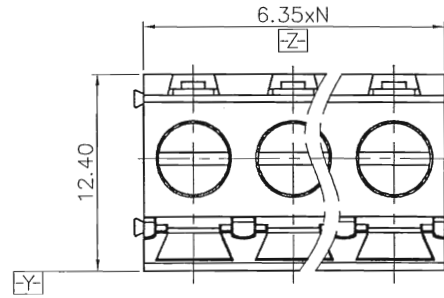


**文管中心**  
**研发专用**  
 2015.05.12

REVISION RECORD				
REV	ECN	DESCRIPTION	DRFT	DATE
△4		增加VDE参数	LJH	01/09/08"
△3	11-0074	增加间距刻字及修改焊脚宽度	ZXX	04/13/11"
△2		图面更新	XGF	12/06/12"
△1	13-0176	BOM表螺丝品名更新	YJZ	10/09/13"
△0	15-0155	焊脚材质黄铜改为紫铜	Jay.z	05/03/15"

- NOTES:
1. DIMENSIONS SHALL BE INTERPRETED PER ASME Y14.5-2009.
  2. PITCH: 6.35MM, POLES: N=2-XXP
  3. RATED VOLTAGE/CURRENT: UL-300V/30A VDE 450V/32A
  4. OPERATION TEMPERATURES: -40°C~+105°C
  5. WITHSTANDING VOLTAGE: AC2500V/1MIN.
  6. WIRE RANGE: 26~10AWG, 4.0MM<sup>2</sup>
  7. TORQUE VALUE: M3,5.10kgf.cm
  8. UNDIMENSIONED TOLERANCES:

PITCH RANGE		NOMINAL DIMENSION RANGE				
IN MM		IN MM				
TO	OVER	TO	OVER	TO	OVER	
6	10	6	10	30	60	100
TO	TO	TO	TO	TO	TO	OVER
10	24	30	60	100	150	150
±0.10		±0.15		±0.25		±0.20
						±0.30
						±0.50
						±0.70
						±1.00
						0.05/10



ITEM	NAME OF PART	NO. OF PART	Q"TY	MATERIAL	NOTES
△4	DG635-Pin header	4030B00010(H)	XX	Copper	Sn plated
△3	DG635"-Screw	S000001690(H)	XX	Steel	Zn plated
2	DG950 Cage	X000000310(H)	XX	Brass	Ni plated
1	DG635-6.35 Housing	4030AYYXXA(H)	1	PA66	UL94V-0

DETACHED LISTS		MATERIAL:		NAME:	
TOLERANCES EXCEPT AS NOTED		FINISH:		DEGSON® 宁波高正电子有限公司 DEGSON ELECTRONICS CO., LTD	
PART NO.:		NAME:		DG635-6.35-XXP-1Y-00A(H)	
ANGLES ± 1'		APPD: Aaron 5/8/15		TITLE: ASSEMBLY DRAWING	
THIRD ANGLE PROJECTION		CHKD: Jea 5/8/15		DRAWING NO.: DG635-6.35-E01	
		DRFT: Hooyh 05/07/05"		DO NOT SCALE DRAWING	
				SCALE: N/A	SHEET: 1/1

## X-ON Electronics

Largest Supplier of Electrical and Electronic Components

*Click to view similar products for [Fixed Terminal Blocks](#) category:*

*Click to view products by [Degson](#) manufacturer:*

Other Similar products are found below :

[MBE-1512](#) [MBE-1520](#) [MBE-154](#) [MBE-156](#) [MBES-156](#) [MH-2512](#) [MHE-132](#) [MHE-163](#) [MI-254 \(35\)](#) [MPT-275](#) [ELM10110G](#) [BA311TU](#)  
[BA411SU](#) [MV-254-D](#) [MV-255](#) [MV-493](#) [MVE-252](#) [MVE-253](#) [MVEB-153](#) [1705142](#) [1-796689-8](#) [1841320000](#) [S451](#) [29.007](#) [29.116](#) [30.204](#)  
[30.503](#) [30.756](#) [30.853](#) [9872-0-00-15-00-00-33-0](#) [996750](#) [1710052](#) [20020316-G071B01LF](#) [20020327-C061B01LF](#) [29590](#) [30.652](#) [30.710](#)  
[30.754](#) [30.757](#) [32.058](#) [37.206](#) [37.208](#) [37.507](#) [37.558](#) [38331-5812](#) [38331-8018](#) [38540-1910](#) [39.002](#) [MBE-1517](#) [MBE-153](#)