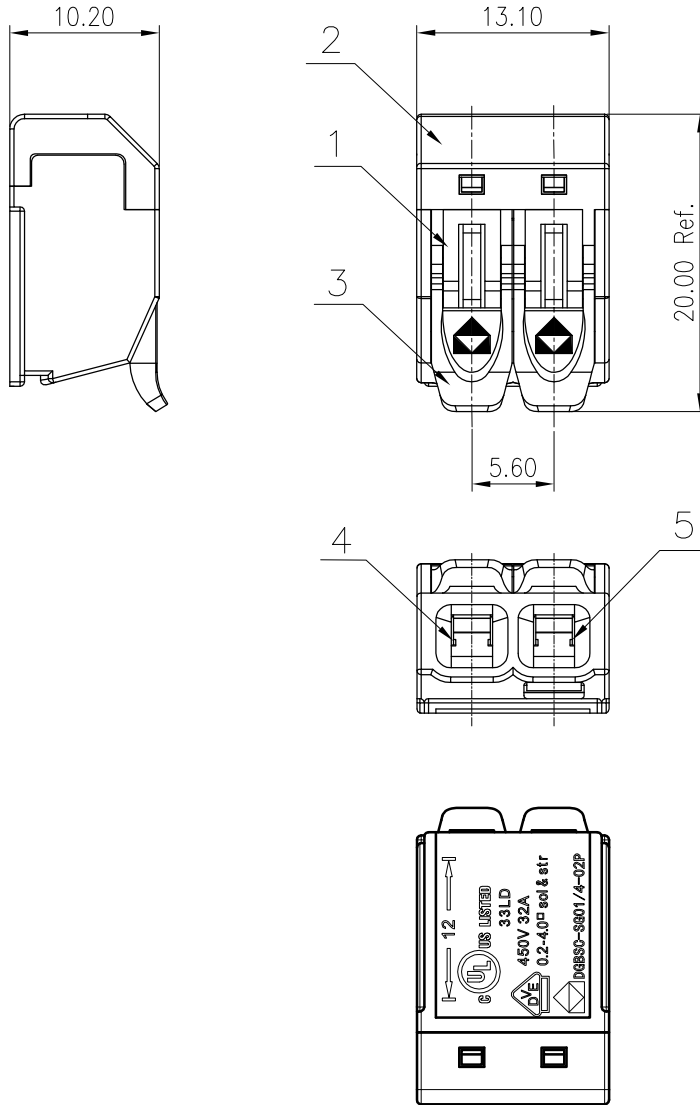


未注公差/General tolerances(mm)												0.1/10	
0	>3	>6	>10	>18	>30	>50	>80	>120	>180	>250	>315		>400
~3	~6	~10	~18	~30	~50	~80	~120	~180	~250	~315	~400	~500	~2.50
±0.12	±0.18	±0.22	±0.26	±0.31	±0.37	±0.57	±0.80	±0.93	±1.05	±1.15	±1.60	±2.20	±2.50



5	Current carrier	Copper	Sn Plated
4	Spring	Stainless steel	/
3	Button	PA66+GF	UL94V-0
2	Cover	PC	UL94V-2
1	Housing	PC	UL94V-2
ITEM	NAME OF PART	MATERIAL	NOTES

UL 标准/UL Standard:			
额定电压/Rated Voltage(V)		600	
IEC 标准/IEC Standard:			
过压类别/Overtoltage Category/污染等级/Pollution Degree		III/3	III/2 II/2
额定电压/电流/Rated Voltage(V)/Current(A)		/	450/32 /
工频耐压/Withstanding voltage(V/1Min)		/	AC2500 /
线径范围(硬线和软线)/Wire Range(rigid and flexible)(AWG/mm ²)		24~12/0.2~4.0	
剥线长度/Stripping length(mm)		12	
使用温度范围/Operating temperature(°C)		-40~+85 (IEC)	
符合RoHS环保要求/Conform to RoHS		Yes	
Mark"DGBSC-SG01/4-02P": 600V Cu 24-12AWG sol&str			

MATERIAL:		SURFACE:	
MAT NO.:	宁波高松电子有限公司 NINGBO DEGSON ELECTRICAL CO., LTD		
STATUS: /	NAME: DGBSC-SG01/4-02P(1Y-00AH)		
APPD: /	DRAWING NO.:		
CHKD: /	REV		DO
DRFT: /	TYPE: CUSTOMER DRAWING		SHEET 1/1

REV	ECN	DESCRIPTION	DRFT	DATE
1	2	3	4	5

SIZE: A4	mm (inch)	SCALE: 2:1
----------	-----------	------------

Transfer or duplication of this document as well as the utilization or communication of its contents are prohibited unless explicit authorization is granted. Violations will be liable for compensation. All rights reserved for patent, utility, model or designs registrations. 除非授予明确授权，否则禁止转让、复制、利用、交基本文件的内容。侵犯者将承担赔偿责任。实用新法和外观设计专利的所有权利。

X-ON Electronics

Largest Supplier of Electrical and Electronic Components

Click to view similar products for [Terminals](#) category:

Click to view products by [Degson](#) manufacturer:

Other Similar products are found below :

[00-054007-01074-6](#) [00-054007-70206-1](#) [00-054007-70210-8](#) [00-054007-70217-7](#) [00-054007-70228-3](#) [00-054007-70256-6](#) [00-054007-70316-7](#) [00-054007-49560-4](#) [00-054007-70209-2](#) [00-054007-70231-3](#) [00-054007-70241-2](#) [00-054007-70242-9](#) [00-054007-70246-7](#) [00-054007-70263-4](#) [00-054007-70288-7](#) [00-054007-70290-0](#) [00-054007-70300-6](#) [00-054007-70304-4](#) [01-2900-1-04412](#) [00581P0075](#) [600TS-10](#) [605601-1](#) [60617-1-C](#) [61314-6-C](#) [61810-3](#) [62149-1](#) [626-0194](#) [63-S](#) [M55155/079C01](#) [M55155/099B03](#) [M55155/109H01](#) [M55155/29XJ08](#) [M55155/30-6S](#) [M55155/30-9S](#) [M55155/30XI09](#) [M6-14RSX](#) [696683-1](#) [696861-1](#) [696999-1](#) [M86700006](#) [D18-110B-C](#) [D18-110B-M](#) [701-1936](#) [701-1955](#) [701-2003](#) [701-2007](#) [701-2013](#) [701-2018](#) [701-2069](#) [701-2077-60](#)