

REVISION RECORD				
REV	ECN	DESCRIPTION	DRFT	DATE

Technical characteristics:
 Specifications
 DIN EN 60 664-1
 DIN EN 61 984

Inserts

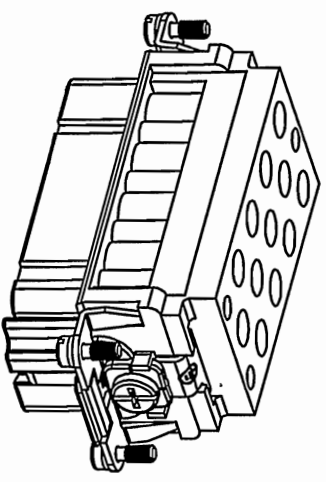
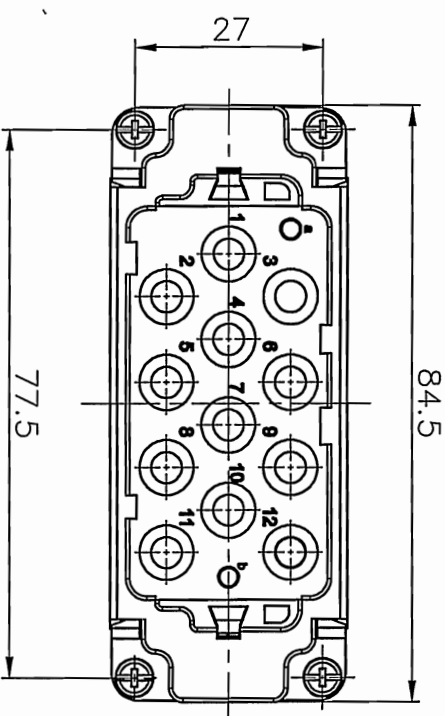
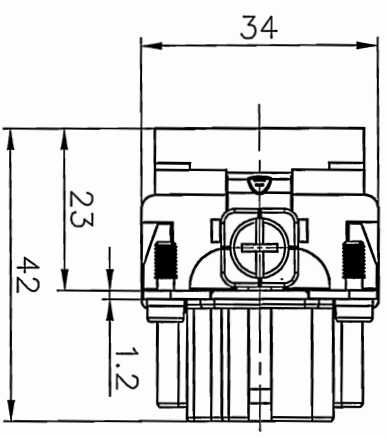
01. Number of contacts :12/2+PE
02. Rated Current :40A/10A
03. Rated Voltage :690V/250V
04. Pollution degree :3
05. Rated impulse voltage :8kv/4kv
06. Insulation resistance :≥10⁸
07. Material:Polycarbonate
08. Rated voltage acc. to UL/CSA:600V/300V
09. Limiting temperatures : -40°C~+125°C
10. Flammability acc. to UL94:V0
11. Mechanical working life (mating cycles) :≥500

Contacts

- Power contacts**
01. Material:Copper alloy
 02. Surface:hard-Silver plated
 03. Contact resistance :≤0.3mΩ
 04. Terminal :Crimp terminal
 05. Wire gauge :1.5-6mm² (AWG16-10)
 06. Stripping length :9mm

Signal contacts

01. Material:Copper alloy
02. Surface:hard-silver plated
03. Contact resistance :≤3mΩ
04. Terminal :Crimp terminal
05. Wire gauge :0.14-2.5mm² (AWG26-14)
06. Stripping length :6-8mm
07. Rohns Compliance



PART NO.: /		DEGSON 宁波高松电子有限公司	
NAME: /		NINGBO DEGSON ELECTRICAL CO., LTD	
TITLE: CUSTOMER DRAWING		DK-122-FC	
APPRD: HYS 2016.11.18	CHKD: LYM 2016.11.18	DRFT: Mr. Yang 2016.10.08	REV DO-1
DRAWING NO.: /		SHEET: 1/1	
DO NOT SCALE DRAWING		SCALE: 1:1	



X-ON Electronics

Largest Supplier of Electrical and Electronic Components

Click to view similar products for [Standard Circular Connector](#) category:

Click to view products by [Degson](#) manufacturer:

Other Similar products are found below :

[C015](#) [10F006](#) [001](#) [1](#) [5M2530B10P](#) [600247N007](#) [600259N006](#) [600273N007](#) [600432N009](#) [6280-2PG-519](#) [6280-3PG-311](#) [6280-3SG-311](#)
[6280-7SG-3DC](#) [6280-7SG-522](#) [6282-5PG-311](#) [6282-6PG-519](#) [6282-8SG-311](#) [6283-11](#) [6283-15](#) [6290](#) [6293](#) [6382-2PG-311](#) [6382-2PG-3DC](#)
[6382-2SG-321](#) [6382-2SG-3DC](#) [6382-4SG-516](#) [67-03E20-37P](#) [681-PMG](#) [CXS3102A14S2P](#) [CXS3102A181S](#) [CXS3106A14S6S](#)
[D38999/20FC8SA L/C](#) [MB12P-1](#) [MB12R-6](#) [7251-2PG-300](#) [7251-2SG-300](#) [7251-4PG-300](#) [7251-4SG-300](#) [7251-5PG-300](#) [7251-5SG-300](#)
[7251-6SG-300](#) [7251-7PG-300](#) [7251-8PG-300](#) [7271-6SG-300](#) [7282-3PG-300-CH3](#) [73000005663](#) [75-190011-03P](#) [75-190216-08S](#) [75-190218-](#)
[10P](#) [75-214636-52P](#) [75-474118-10P](#) [75-474211-03P](#) [75-474218-19S](#)