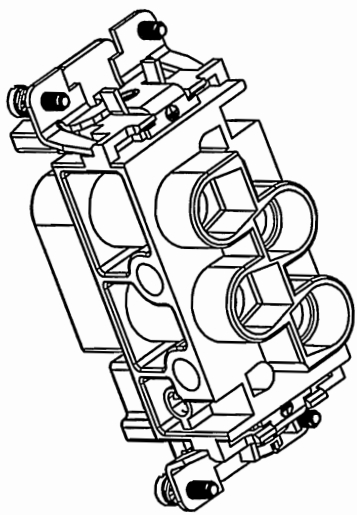
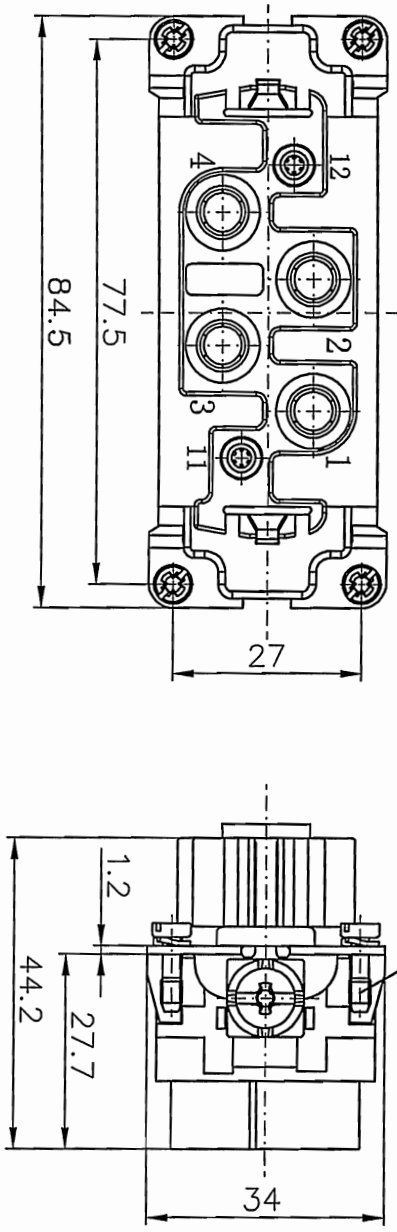


REVISION RECORD			
REV	ECN	DESCRIPTION	DRFT DATE

Technical characteristics:
 Specifications
 DIN EN 60 664-1
 DIN EN 61 984

M3x10



- Inserts
01. Number of contacts : 4/2+PE
 02. Rated Current : 80A/16A
 03. Rated Voltage : 690V/400V
 04. Pollution degree : 3
 05. Rated impulse voltage : 8kV₁₀
 06. Insulation resistance : $\geq 10\Omega$
 07. Material : Polycarbonate
 08. Rated voltage acc. to UL/CSA: 600V/300V
 09. Limiting temperatures : -40°C~+125°C
 10. Flammability acc. to UL94: V0
 11. Mechanical working life (mating cycles) : ≥ 500

Contacts

- Power contacts
01. Material: Copper alloy
 02. Surface: hard-silver plated
 03. Contact resistance : $\leq 0.3m\Omega$
 04. Terminal : Screw terminal
 05. Wire gauge : 1.5-16mm² (AWG16-6)
 06. Tightening torque :

mm ²	1.5	2.5	4	6	10	16
Nm	1.2	2	3	3	3	3
 07. Stripping length : 14mm

Signal contacts

01. Material: Copper alloy
02. Surface: hard-silver plated
03. Contact resistance : $\leq 1m\Omega$
04. Terminal : Screw terminal
05. Wire gauge : 0.5-2.5mm² (AWG20-14)
06. Tightening torque : 0.5Nm
07. Stripping length : 7.5mm
08. Rohs Compliance

DETACHED LISTS			
PART NO.:	/	NAME:	DK-4/2-F
APPD:	HJS 2016.8.18	DEGSON	宁波高松电子有限公司
CHKD:	LTM 2016.8.15	NINGBO DEGSON ELECTRICAL CO., LTD	
DRFT:	yong 2016.07.28	TITLE:	CUSTOMER DRAWING
THIRD ANGLE PROJECTION		DRAWING NO.:	DK-4/2-F-E01
		SCALE:	DO NOT SCALE DRAWING SCALE 1:1
		REV	DO-1
		SHEET	1/1

X-ON Electronics

Largest Supplier of Electrical and Electronic Components

Click to view similar products for [Standard Circular Connector](#) category:

Click to view products by [Degson](#) manufacturer:

Other Similar products are found below :

[C015](#) [10F006](#) [001](#) [1](#) [5M2530B10P](#) [600247N007](#) [600259N006](#) [600273N007](#) [600432N009](#) [6280-2PG-519](#) [6280-3PG-311](#) [6280-3SG-311](#)
[6280-7SG-3DC](#) [6280-7SG-522](#) [6282-5PG-311](#) [6282-6PG-519](#) [6282-8SG-311](#) [6283-11](#) [6283-15](#) [6290](#) [6293](#) [6382-2PG-311](#) [6382-2PG-3DC](#)
[6382-2SG-321](#) [6382-2SG-3DC](#) [6382-4SG-516](#) [67-03E20-37P](#) [681-PMG](#) [CXS3102A14S2P](#) [CXS3102A181S](#) [CXS3106A14S6S](#)
[D38999/20FC8SA L/C](#) [MB12P-1](#) [MB12R-6](#) [7251-2PG-300](#) [7251-2SG-300](#) [7251-4PG-300](#) [7251-4SG-300](#) [7251-5PG-300](#) [7251-5SG-300](#)
[7251-6SG-300](#) [7251-7PG-300](#) [7251-8PG-300](#) [7271-6SG-300](#) [7282-3PG-300-CH3](#) [73000005663](#) [75-190011-03P](#) [75-190216-08S](#) [75-190218-](#)
[10P](#) [75-214636-52P](#) [75-474118-10P](#) [75-474211-03P](#) [75-474218-19S](#)