

REVISION RECORD			
REV	ECN	DESCRIPTION	DRFT DATE
2			1

Technical characteristics:
 Specifications
 DIN EN 60 664-1
 DIN EN 61 984

Inserts

- 01. Number of contacts : 4/8+PE
- 02. Rated Current : 80A/16A
- 03. Rated Voltage : 400V/400V
- 04. Pollution degree : 3
- 05. Rated impulse voltage : 6kV^m
- 06. Insulation resistance : ≥10¹⁰Ω
- 07. Material: Polycarbonate
- 08. Rated voltage acc. to UL/CSA: 600V/600V
- 09. Limiting temperatures : -40°C~+125°C
- 10. Flammability acc. to UL94: V0
- 11. Mechanical working life (mating cycles) : ≥500

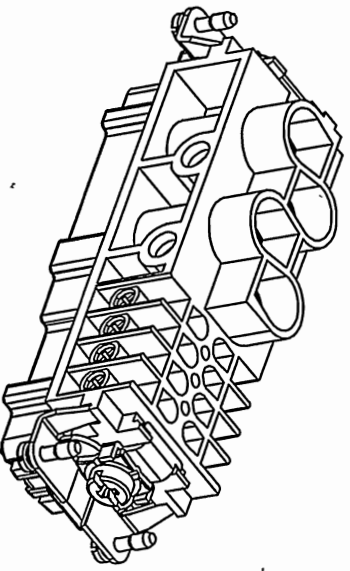
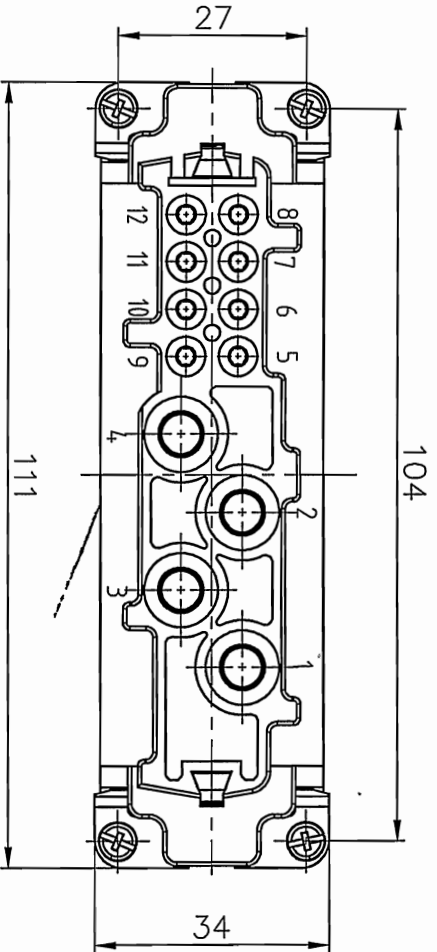
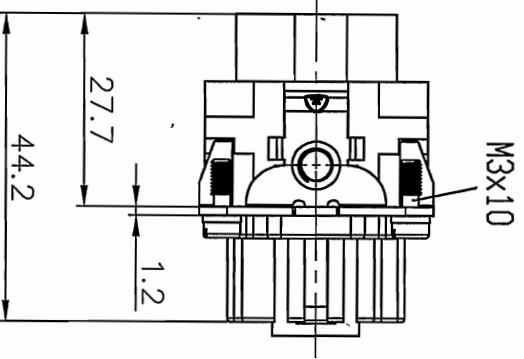
Contacts

- Power contacts**
- 01. Material: Copper alloy
- 02. Surface: hard-silver plated
- 03. Contact resistance : ≤0.3mΩ
- 04. Terminal : Screw terminal
- 05. Wire gauge : 1.5-16mm² (AWG16-6)
- 06. Tightening torque :

mm ²	1.5	2.5	4	6	10	16
Nm	1.2	2	3	3	3	3
- 07. Stripping length : 14mm

Signal contacts

- 01. Material: Copper alloy
- 02. Surface: hard-silver plated
- 03. Contact resistance : ≤1mΩ
- 04. Terminal : Screw terminal
- 05. Wire gauge : 1.0-2.5mm² (AWG18-14)
- 06. Tightening torque : 0.5Nm
- 07. Stripping length : 7.5mm
- 08. Rohs Compliance



PART NO.:		DETACHED LISTS	
APPRO:	1952016.8.20	CHKD:	1952016.8.18
DRFT:	YQNG	DATE:	2016.07.23
DRAWING NO.:		TITLE:	
DK-4/8-F-E01		CUSTOMER DRAWING	
SHEET		REV	
1/1		DO-1	
SCALE		1:1	

DEGSON 宁波高松电子有限公司
 NINGBO DEGSON ELECTRICAL CO., LTD

DK-4/8-F



THIRD ANGLE PROJECTION

X-ON Electronics

Largest Supplier of Electrical and Electronic Components

Click to view similar products for [Standard Circular Connector](#) category:

Click to view products by [Degson](#) manufacturer:

Other Similar products are found below :

[C015 10F006 001 1](#) [5M2530B10P](#) [600247N007](#) [600259N006](#) [600273N007](#) [600432N009](#) [6280-2PG-519](#) [6280-3PG-311](#) [6280-3SG-311](#)
[6280-7SG-3DC](#) [6280-7SG-522](#) [6282-5PG-311](#) [6282-6PG-519](#) [6282-8SG-311](#) [6283-11](#) [6283-15](#) [6290](#) [6293](#) [6382-2PG-311](#) [6382-2PG-3DC](#)
[6382-2SG-321](#) [6382-2SG-3DC](#) [6382-4SG-516](#) [67-03E20-37P](#) [681-PMG](#) [CXS3102A14S2P](#) [CXS3102A181S](#) [CXS3106A14S6S](#)
[D38999/20FC8SA L/C](#) [MB12P-1](#) [MB12R-6](#) [7251-2PG-300](#) [7251-2SG-300](#) [7251-4PG-300](#) [7251-4SG-300](#) [7251-5PG-300](#) [7251-5SG-300](#)
[7251-6SG-300](#) [7251-7PG-300](#) [7251-8PG-300](#) [7271-6SG-300](#) [7282-3PG-300-CH3](#) [73000005663](#) [75-190011-03P](#) [75-190216-08S](#) [75-190218-](#)
[10P](#) [75-214636-52P](#) [75-474118-10P](#) [75-474211-03P](#) [75-474218-19S](#)