

REVISION RECORD				
REV	ECN	DESCRIPTION	DRFT	DATE

Technical characteristics:

Specifications
 DIN EN 60 664-1
 DIN EN 61 984

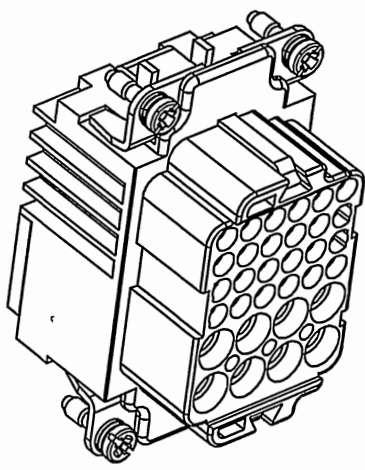
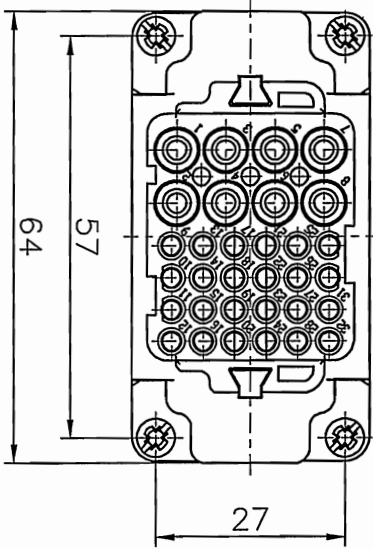
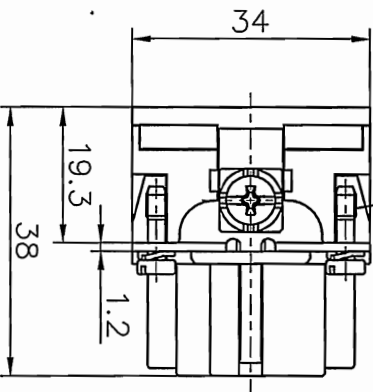
Inserts

- 01. Number of contacts : 8/24+PE
- 02. Rated Current : 16A/10A
- 03. Rated Voltage : 230V/400V
- Rated Voltage : 160V
- 04. Pollution degree : 3
- 05. Rated impulse voltage : 4kv/2.5kv
- 06. Insulation resistance : $\geq 10^8 \Omega$
- 07. Material: Polycarbonate
- 08. Rated voltage acc. to UL/CSA: 600V/300V
- 09. Limiting temperatures : -40°C ~ +125°C
- 10. Flammability acc to UL94: V0
- 11. Mechanical working life (mating cycles) : ≥ 500

Contacts

- Power contacts
- 01. Material: Copper alloy
- 02. Surface: hard-Gold plated
- Signal contacts
- 01. Material: Copper alloy
- 02. Surface : hard-Silver plated
- 03. Contact resistance : $\leq 3m\Omega$
- 04. Terminal : Crimp terminal
- 05. Wire gauge : 0.37-2.5mm² (AWG26-14)
- 06. Stripping length : 6~8mm

Note: Crimp contact pins should order separately



DETACHED LISTS			
PART NO.:	/	DEGSON	宁波高松电子有限公司
APPD:	HYS 2016.11.14	NINGBO DEGSON ELECTRICAL CO., LTD	
CHKD:	Ljm 2016.11.18		
DRFT:	Mr.Yong 2016.10.08	TITLE	CUSTOMER DRAWING
		DRAWING NO.:	/
		DO NOT SCALE DRAWING	SCALE
			1:1



THIRD ANGLE PROJECTION

X-ON Electronics

Largest Supplier of Electrical and Electronic Components

Click to view similar products for [Standard Circular Connector](#) category:

Click to view products by [Degson](#) manufacturer:

Other Similar products are found below :

[C015](#) [10F006](#) [001](#) [1](#) [5M2530B10P](#) [600247N007](#) [600259N006](#) [600273N007](#) [600432N009](#) [6280-2PG-519](#) [6280-3PG-311](#) [6280-3SG-311](#)
[6280-7SG-3DC](#) [6280-7SG-522](#) [6282-5PG-311](#) [6282-6PG-519](#) [6282-8SG-311](#) [6283-11](#) [6283-15](#) [6290](#) [6293](#) [6382-2PG-311](#) [6382-2PG-3DC](#)
[6382-2SG-321](#) [6382-2SG-3DC](#) [6382-4SG-516](#) [67-03E20-37P](#) [681-PMG](#) [CXS3102A14S2P](#) [CXS3102A181S](#) [CXS3106A14S6S](#)
[D38999/20FC8SA L/C](#) [MB12P-1](#) [MB12R-6](#) [7251-2PG-300](#) [7251-2SG-300](#) [7251-4PG-300](#) [7251-4SG-300](#) [7251-5PG-300](#) [7251-5SG-300](#)
[7251-6SG-300](#) [7251-7PG-300](#) [7251-8PG-300](#) [7271-6SG-300](#) [7282-3PG-300-CH3](#) [73000005663](#) [75-190011-03P](#) [75-190216-08S](#) [75-190218-](#)
[10P](#) [75-214636-52P](#) [75-474118-10P](#) [75-474211-03P](#) [75-474218-19S](#)