

REV	ECN	REVISION RECORD	DESCRIPTION	DRT	DATE

Technical characteristics:  
 Specifications  
 DIN EN 60 664-1  
 DIN EN 61 984

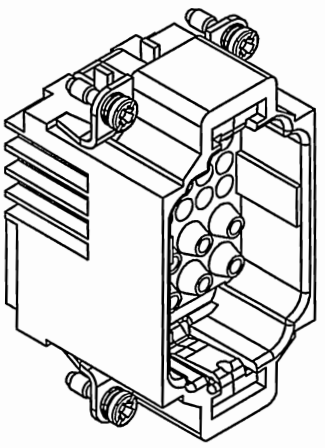
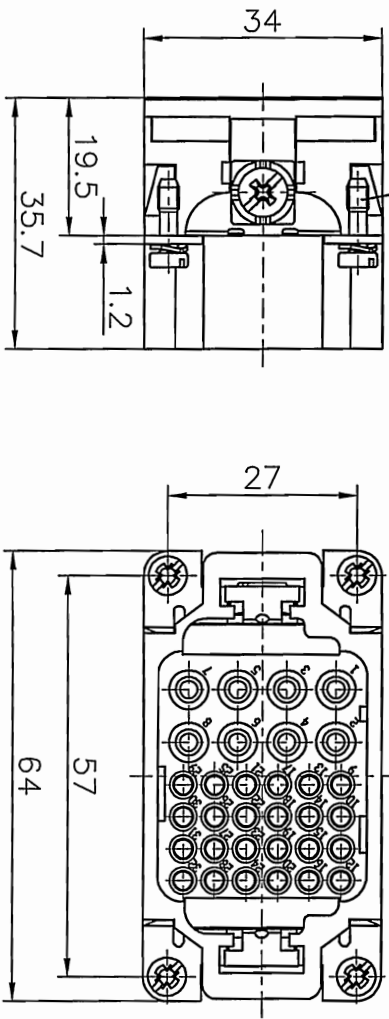
Inserts

01. Number of contacts : 8/24+PE
02. Rated Current : 16A/10A
03. Rated Voltage : 230V/400V
04. Rated Voltage : 160V
05. Pollution degree : 3
06. Rated impulse voltage : 4kV/2.5kV
07. Insulation resistance :  $\geq 10^9 \Omega$
08. Material: Polycarbonate
09. Rated voltage acc. to UL/CSA: 600V/300V
10. Limiting temperatures : -40°C~+125°C
11. Flammability acc. to UL94: V0
12. Mechanical working life (mating cycles) :  $\geq 500$

Contacts

- Power contacts
01. Material: Copper alloy
  02. Surface: hard-Gold plated
  03. Contact resistance :  $\leq 1m\Omega$
  04. Terminal : Crimp terminal
  05. Wire gauge : 0.5-4mm<sup>2</sup> (AWG20-12)
  06. Stripping length : 7.5mm
- Signal contacts
01. Material: Copper alloy
  02. Surface : hard-Gold plated
  03. Contact resistance :  $\leq 3m\Omega$
  04. Terminal : Crimp terminal
  05. Wire gauge : 0.37-2.5mm<sup>2</sup> (AWG26-14)
  06. Stripping length : 6~8mm
  07. Rohns Compliance

Note: Crimp contact pins should order separately



DETACHED LISTS	
PART NO.:	/
APPR:	M/S 2016.11.18
CHKD:	Ljm 2016.11.18
DRT:	Mr. Yang 2016.10.08
NAME:	DEGSON® 宁波德松电子有限公司
TITLE:	CUSTOMER DRAWING
DRAWING NO.:	/
DRFT:	DK-8/24-MC
REV	DO-1
SHEET	1/1
SCALE	1:1



## X-ON Electronics

Largest Supplier of Electrical and Electronic Components

*Click to view similar products for [Standard Circular Connector](#) category:*

*Click to view products by [Degson](#) manufacturer:*

Other Similar products are found below :

[C015](#) [10F006](#) [001](#) [1](#) [5M2530B10P](#) [600247N007](#) [600259N006](#) [600273N007](#) [600432N009](#) [6280-2PG-519](#) [6280-3PG-311](#) [6280-3SG-311](#)  
[6280-7SG-3DC](#) [6280-7SG-522](#) [6282-5PG-311](#) [6282-6PG-519](#) [6282-8SG-311](#) [6283-11](#) [6283-15](#) [6290](#) [6293](#) [6382-2PG-311](#) [6382-2PG-3DC](#)  
[6382-2SG-321](#) [6382-2SG-3DC](#) [6382-4SG-516](#) [67-03E20-37P](#) [681-PMG](#) [CXS3102A14S2P](#) [CXS3102A181S](#) [CXS3106A14S6S](#)  
[D38999/20FC8SA L/C](#) [MB12P-1](#) [MB12R-6](#) [7251-2PG-300](#) [7251-2SG-300](#) [7251-4PG-300](#) [7251-4SG-300](#) [7251-5PG-300](#) [7251-5SG-300](#)  
[7251-6SG-300](#) [7251-7PG-300](#) [7251-8PG-300](#) [7271-6SG-300](#) [7282-3PG-300-CH3](#) [73000005663](#) [75-190011-03P](#) [75-190216-08S](#) [75-190218-](#)  
[10P](#) [75-214636-52P](#) [75-474118-10P](#) [75-474211-03P](#) [75-474218-19S](#)