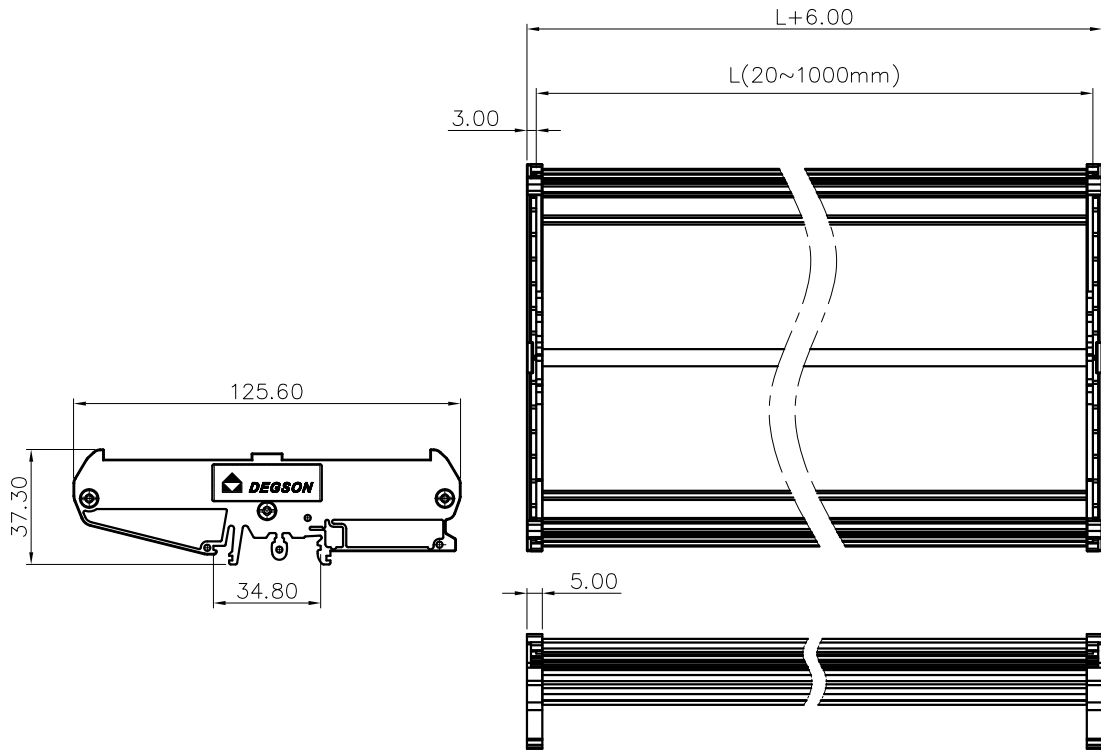


REVISION RECORD				
REV	ECN	DESCRIPTION	DRFT	DATE

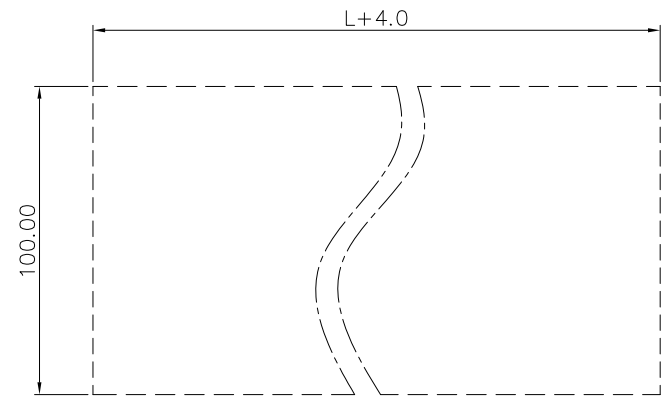


NOTES:
 1.Dimension shall be interpreted per ASME Y14.5-2009
 2.Operating temperature: -20°C~+50°C
 3.Undimensioned tolerances:

Pitch Range In mm		Nominal Dimension Range In mm				-	∩	∇
To	Over	Over	Over	Over	To	To	To	
6	6 TO 10	10 TO 24	30 TO 30	30 TO 60	60 TO 100	100 TO 150	150	
±0.15	±0.25	±0.30	±0.30	±0.50	±0.70	±1.00	±1.30	±2'

4.RoHS Compliance

DM100 - XX - 1Y - 00A (H)
 (Series No.) (Length) (Single Pitch) (Color): 1.(Grey)
 2.(Blue)
 3.(Black)
 4.(Green)
 5.(Orange)
 6.(Red)
 7.(Transparent)
 8.(Yellow)
 9.(White)
 (RoHS)
 00A-(Standard)



PCB LAYOUT

DETACHED LISTS	PART NO.:	/		
	APPD:	/		
	CHKD:	/		
	DRFT:	/		
		THIRD ANGLE PROJECTION		
		DRAWING NO.: / MM (INCH) DO NOT SCALE DRAWING		
		REV	DO	
		SHEET	1/1	
		SCALE	1:1	

宁波高松电子有限公司
 NINGBO DEGSON ELECTRICAL CO., LTD

DM100-XX-1Y-00A(H)

TITLE: CUSTOMER DRAWING

DRAWING NO.: /

MM (INCH) DO NOT SCALE DRAWING

REV DO

SHEET 1/1

SCALE 1:1

X-ON Electronics

Largest Supplier of Electrical and Electronic Components

Click to view similar products for [Degson](#) manufacturer:

Other Similar products are found below :

[2EDGKDF-5.0-05P-14-00AH](#) [PM-M12B-05P-MM-SR7A01-00B\(H\)](#) [PM-M8A-03P-FF-SL7A01-00B\(H\)](#) [RT-10A](#) [D16A-SEH-2G-PG21](#)
[D24B-SF-1L-M25](#) [D24B-SF-2L-PG21](#) [DD-064-FC](#) [DD-064-MC](#) [DE-010-FC](#) [DK-4/2-M](#) [DFA35-02P-11-00AH](#) [D10B-SE-4G-M25](#) [D16A-](#)
[SF-1L-CV-M25](#) [D16B-SE-2G-M32](#) [D24B-SEH-2G-PG21](#) [D3A-SF-1L-PG11](#) [D3A.P-CV-2G](#) [D10B-TE-4G-M20](#) [D16A-SF-1L-PG21](#) [D16B-](#)
[SEH-2G-PG29](#) [D24B-SEH-2G-M32](#) [D24B-SEH-4G-PG21](#) [D3A.P-BK-1L](#) [D3A.P-TE-2G-PG11](#) [D6B-SF-1L-M25](#) [DA-010-FC](#) [SP-M8B-05P-](#)
[MM-SF7001-00B\(H\)](#) [D10B-SE-4G-M20](#) [D10B-TEH-4G-PG29](#) [D16B-TEH-2G-M32](#) [D3A.P-BK-1L-SE](#) [D3A.P-TE-2G-M20](#) [DK-4/2-F](#)
[DG262-5.0-03P-11-00AH](#) [SS-M8A-03P-FF-SF7C10-00B\(H\)](#) [10A-GF-1.5](#) [16A-SM-1.0](#) [D10A-TEH-2G-PG16](#) [D16B-TEH-2G-PG21](#) [D24B-](#)
[SEH-2G-M40](#) [D24B-SEH-4G-M40](#) [D24B-TE-2G-M32](#) [D24B-TE-4G-M25](#) [D10B-SF-1L-M25](#) [D10B-TE-2G-M25](#) [D16A-TEH-2G-M25](#)
[D16B-SEH-2G-M32](#) [D16B-SF-1L-CV-PG21](#) [D24B-SF-1L-CV-PG21](#)