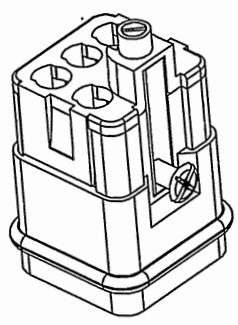
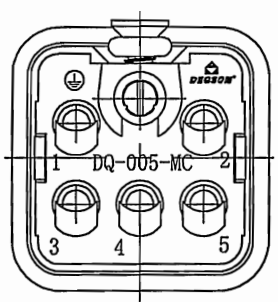
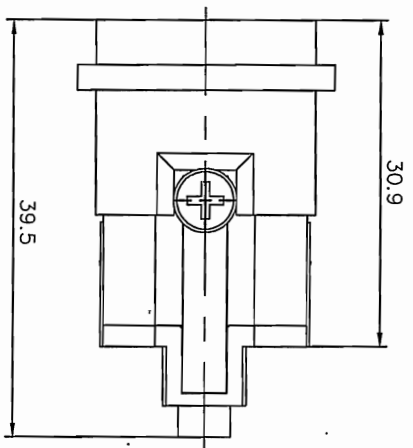
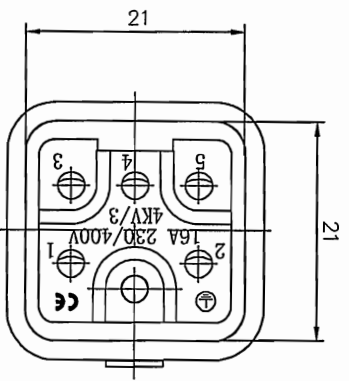


REVISION RECORD			
REV	ECN	DESCRIPTION	DATE

Technical characteristics:
Specifications
 DIN EN 60 664-1
 DIN EN 61 984

- Inserts**
- 01. Number of contacts : 5+PE
 - 02. Rated Current : 16A
 - 03. Rated Voltage conductor-ground: 230V
 - 04. Rated Voltage conductor-conductor: 400V
 - 05. Pollution degree : 3
 - 06. Rated impulse voltage : 4kV¹⁰
 - 07. Insulation resistance : $\geq 10^9 \Omega$
 - 08. Material: Polycarbonate
 - 09. Rated voltage acc. to UL/CSA: 600V
 - 10. Limiting temperatures : -40°C ~ +125°C
 - 11. Flammability acc. to UL94: V0
 - 12. Mechanical working life (mating cycles) : ≥ 500

- Contacts**
- 01. Material: Copper alloy
 - 02. Surface: hard-Silver plated hard-Gold plated
 - 03. Contact resistance : $\leq 1m\Omega$
 - 04. Terminal : Crimp terminal
 - 05. Wire gauge : 0.14-2.5mm² (AWG 26-14)
 - 06. Stripping length : 7.5mm
 - 07. Rohs Compliance
- Note: Crimp contact pins should order separately



PART NO.:		NAME:	
/		DEGSON® NINGBO DEGSON ELECTRICAL CO.,LTD 宁波高热电子有限公司	
DETACHED LISTS			
APPR: HYS 2016.10.20	CHKD: HJM 2016.10.18	TITLE: CUSTOMER DRAWING	REV: DO-1
DFT: M.Yang 2016.09.25		DRAWING NO.:	SHEET 1/1
THIRD ANGLE PROJECTION		SCALE	1.5:1
		DO NOT SCALE DRAWING	

X-ON Electronics

Largest Supplier of Electrical and Electronic Components

Click to view similar products for [Standard Circular Connector](#) category:

Click to view products by [Degson](#) manufacturer:

Other Similar products are found below :

[C015](#) [10F006](#) [001](#) [1](#) [5M2530B10P](#) [600247N007](#) [600259N006](#) [600273N007](#) [600432N009](#) [6280-2PG-519](#) [6280-3PG-311](#) [6280-3SG-311](#)
[6280-7SG-3DC](#) [6280-7SG-522](#) [6282-5PG-311](#) [6282-6PG-519](#) [6282-8SG-311](#) [6283-11](#) [6283-15](#) [6290](#) [6293](#) [6382-2PG-311](#) [6382-2PG-3DC](#)
[6382-2SG-321](#) [6382-2SG-3DC](#) [6382-4SG-516](#) [67-03E20-37P](#) [681-PMG](#) [CXS3102A14S2P](#) [CXS3102A181S](#) [CXS3106A14S6S](#)
[D38999/20FC8SA L/C](#) [MB12P-1](#) [MB12R-6](#) [7251-2PG-300](#) [7251-2SG-300](#) [7251-4PG-300](#) [7251-4SG-300](#) [7251-5PG-300](#) [7251-5SG-300](#)
[7251-6SG-300](#) [7251-7PG-300](#) [7251-8PG-300](#) [7271-6SG-300](#) [7282-3PG-300-CH3](#) [73000005663](#) [75-190011-03P](#) [75-190216-08S](#) [75-190218-](#)
[10P](#) [75-214636-52P](#) [75-474118-10P](#) [75-474211-03P](#) [75-474218-19S](#)