

REVISION RECORD			
REV	ECN	DESCRIPTION	DATE

**Technical characteristics:**

**Specifications**  
 DIN EN 60 664  
 DIN EN 61 984

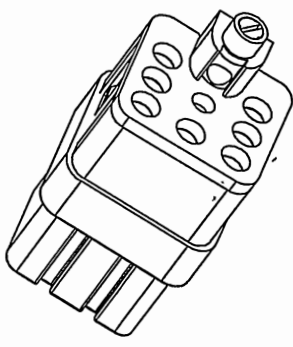
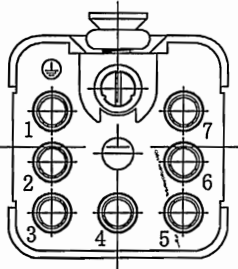
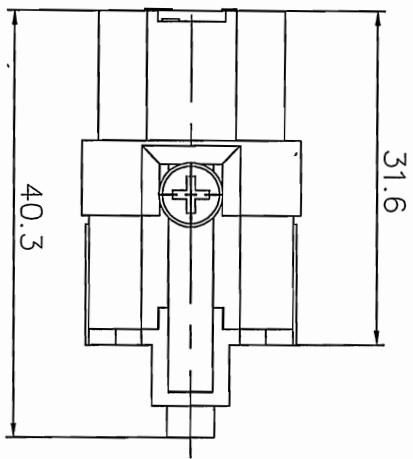
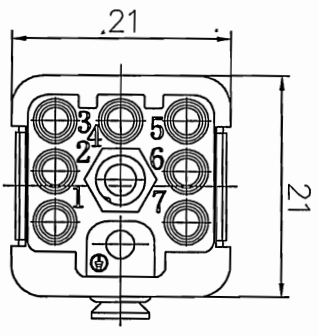
**Inserts**

- 01. Number of contacts : 7+PE
- 02. Rated Current : 10A
- 03. Rated Voltage : 400V
- 04. Pollution degree : 3
- 05. Rated impulse voltage : 6kV<sup>10</sup>
- 06. Insulation resistance :  $\geq 10^{12}$
- 07. Material: Polycarbonate
- 08. Rated voltage acc. to UL/CSA: 600V
- 10. Limiting temperatures : -40°C ~ +125°C
- 11. Flammability acc. to UL94: V0
- 12. Mechanical working life (mating cycles) :  $\geq 500$

**Contacts**

- 01. Material: Copper alloy
- 02. Surface: hard-Silver plated  
: hard-Gold plated
- 03. Contact resistance :  $\leq 3m\Omega$
- 04. Terminal : Crimp terminal
- 05. Wire gauge : 0.14-2.5mm<sup>2</sup> (AWG 26-14)
- 06. Stripping length : 6-8mm
- 07. Rohs Compliance

Note: Crimp contact pins should order separately



PART NO.: /		DEGSON <sup>®</sup> 宁波高松电子有限公司 NINGBO DEGSON ELECTRICAL CO., LTD	
APPD: HXS 2016-10-18	NAME: /	DQ-007-FC	
CHKD: 51M 2016.10.18		TITLE: CUSTOMER DRAWING	
DFT: Mr. Yang 2016.09.25		DRAWING NO.: /	REV: DO-1
THIRD ANGLE PROJECTION		SCALE: 1:1	SHEET: 1/1
		DO NOT SCALE DRAWING	SCALE: 1:1

A B C D E F G H

8 7 6 5 4 3 2 1

## X-ON Electronics

Largest Supplier of Electrical and Electronic Components

*Click to view similar products for [Standard Circular Connector](#) category:*

*Click to view products by [Degson](#) manufacturer:*

Other Similar products are found below :

[C015 10F006 001 1](#) [5M2530B10P](#) [600247N007](#) [600259N006](#) [600273N007](#) [600432N009](#) [6280-2PG-519](#) [6280-3PG-311](#) [6280-3SG-311](#)  
[6280-7SG-3DC](#) [6280-7SG-522](#) [6282-5PG-311](#) [6282-6PG-519](#) [6282-8SG-311](#) [6283-11](#) [6283-15](#) [6290](#) [6293](#) [6382-2PG-311](#) [6382-2PG-3DC](#)  
[6382-2SG-321](#) [6382-2SG-3DC](#) [6382-4SG-516](#) [67-03E20-37P](#) [681-PMG](#) [CXS3102A14S2P](#) [CXS3102A181S](#) [CXS3106A14S6S](#)  
[D38999/20FC8SA L/C](#) [MB12P-1](#) [MB12R-6](#) [7251-2PG-300](#) [7251-2SG-300](#) [7251-4PG-300](#) [7251-4SG-300](#) [7251-5PG-300](#) [7251-5SG-300](#)  
[7251-6SG-300](#) [7251-7PG-300](#) [7251-8PG-300](#) [7271-6SG-300](#) [7282-3PG-300-CH3](#) [73000005663](#) [75-190011-03P](#) [75-190216-08S](#) [75-190218-](#)  
[10P](#) [75-214636-52P](#) [75-474118-10P](#) [75-474211-03P](#) [75-474218-19S](#)