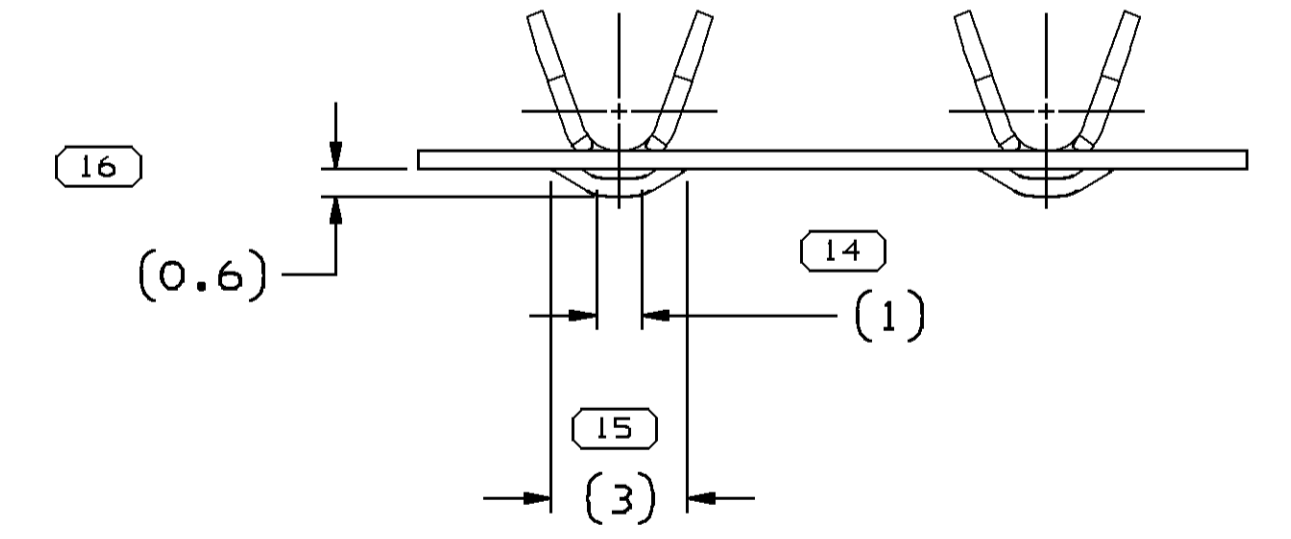
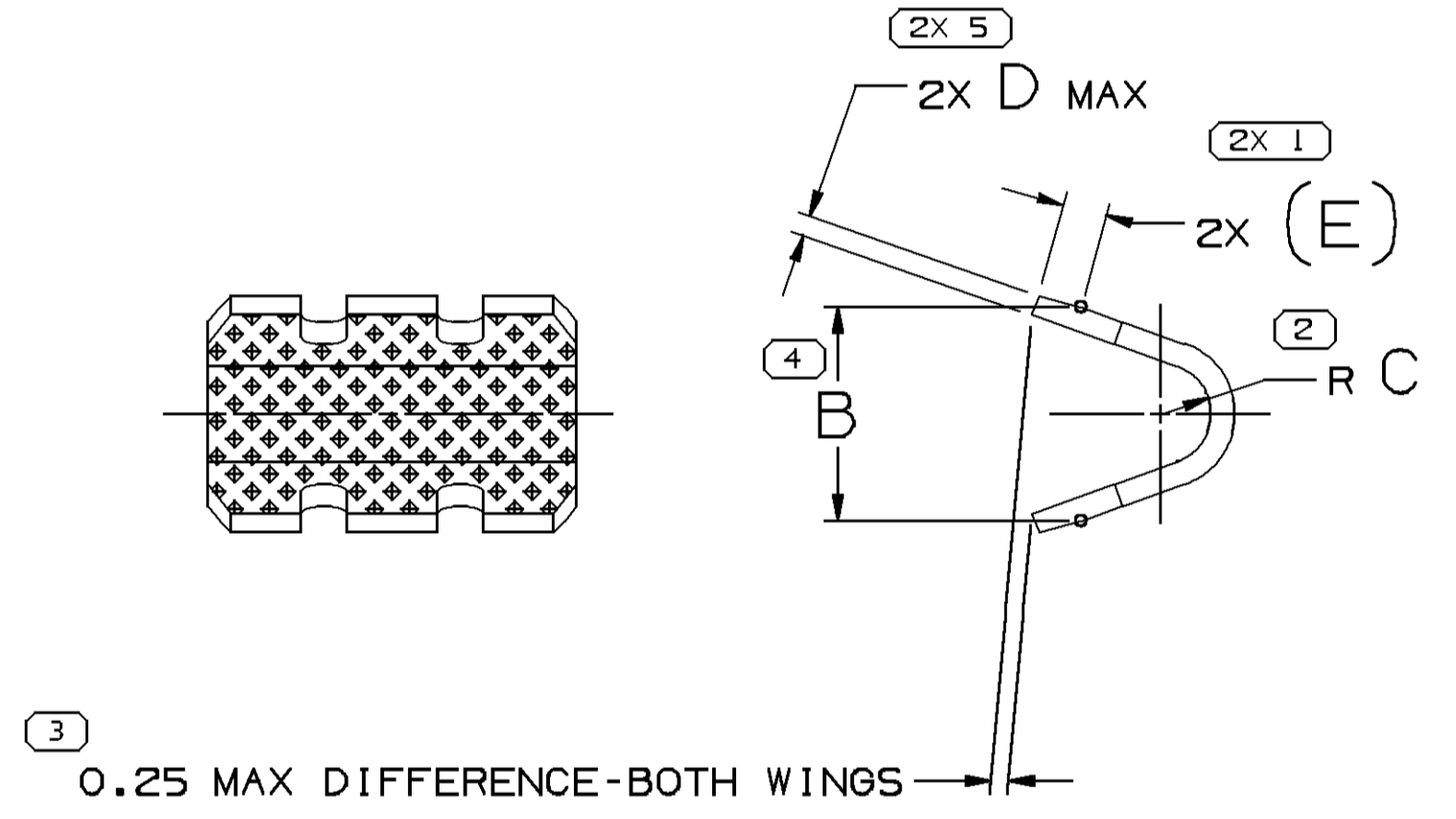
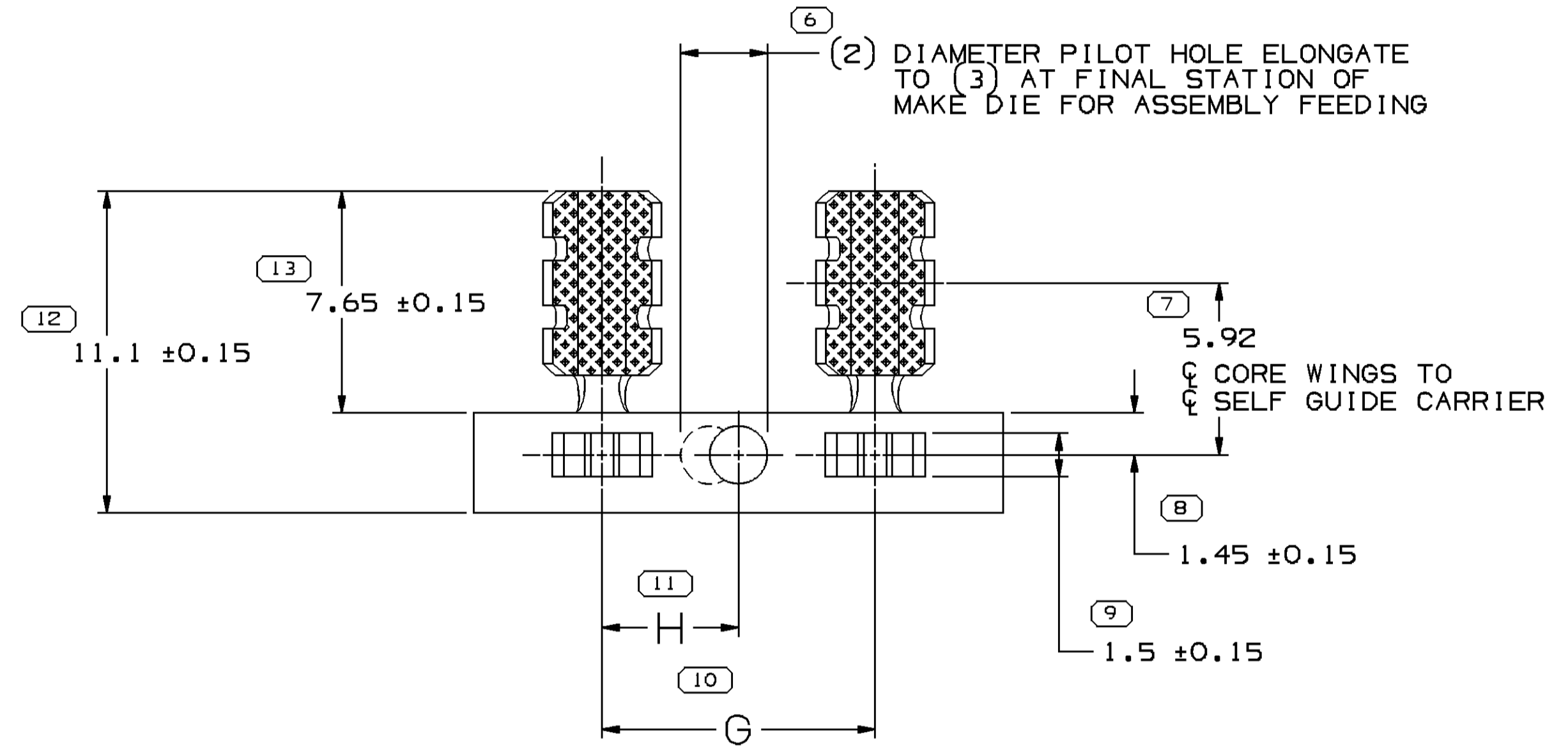
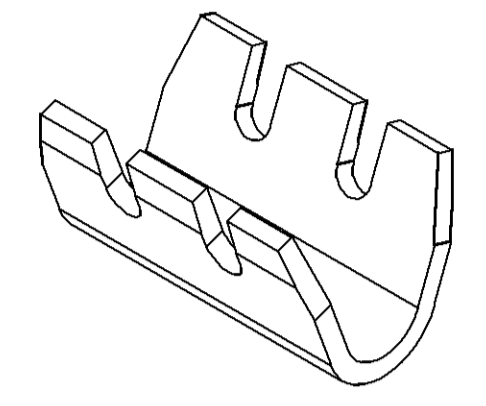


| SYMBOL DEFINITION  |                                  | MISSING SYMBOLS          |    |
|--|----------------------------------|--------------------------|----|
| A DIMENSION WITHOUT AN INSPECTION REPORT SYMBOL ( ) DOES NOT REQUIRE INSPECTION. IT MAY BE CONTROLLED ON THE INDIVIDUAL COMPONENT DRAWING. | TOTAL NO OF INSPECTIONS REQUIRED | NO MISSING SYMBOL NUMBER | 18 |
|  | LAST NO. USED                    |                          | 16 |

| DWG STATUS |     |     |     | REVISION HISTORY |      |   | AUTH   | DR  | APVD1 | APVD2 |
|------------|-----|-----|-----|------------------|------|---|--------|-----|-------|-------|
| DATE       | STG | REV | N/P | CHG              | ZONE |   |        |     |       |       |
| 26FE07     | R   | 13  | -   | -                |      | ALL ACTIVE PARTS - CREATED PART DRAWING                                 | 400697 | AC  | FR    | PYP   |
| 12JN07     | R   | 14  | -   | -                |      | ALL PARTS - REDRAWN TO PD; 13652872 - RELEASED                          | 401665 | ECB | AUG   | GGI   |
| 29AP08     | R   | 15  | -   | -                |      | ALL ACTIVE PARTS - ADDED CARRIER STRIP OPTIONAL CONSTRUCTION TYPE 102   | 404514 | LHT | GEM   | LHT   |
| 05AU08     | R   | 16  | -   | -                |      | ALL ACTIVE PARTS - REMOVED CARRIER STRIP OPTIONAL CONSTRUCTION TYPE 102 | 405648 | LHT | VMR   | LHT   |
| 28OC08     | R   | 17  | -   | -                |      | 12064906 - OBSOLETE AND REPLACED BY 13652872                            | 406605 | MDH | FKV   | JAW   |
| 09FE09     | R   | 18  | -   | -                |      | ALL ACTIVE PARTS - UPDATED MAT'L CALLOUT; 12064904-05 - OBSOLETE        | 407307 | JTV | AUG   | RAP   |
| 20AP09     | R   | 19  | -   | -                |      | 12064904 - REINSTATED   | 407792 | RRR | JAA   | RRR   |
| 19JN09     | R   | 20  | -   | -                |      | 12064904 - OBSOLETE   | 408238 | RRR | JVM   | RRR   |
| 24JA12     | R   | 21  | -   | -                |      | ALL ACTIVE PARTS - ADDED "CABLE SIZE (MM²)" COLUMN ON CHART             | 416803 | JGM | JAA   | RSB   |



CARRIER STRIP VIEW-TYPE 101  
CARRIER STRIP OPTIONAL CONSTRUCTION  
SCALE 6:1

NOTES  
1. UNLESS OTHERWISE SPECIFIED AND/OR INDICATED:  
DIMENSIONS ARE TO FACE OF VIEW SHOWN AND AUTOMATICALLY ROUNDED BY COMPUTER FOR INSPECTION (SEE MATH MODEL FOR PRECISE DIMENSIONS). FOR ALL OTHER DIMENSIONS NOT SHOWN BUT REQUIRED FOR TOOL BUILD, SEE MATH MODEL FOR PRECISE TOOL PATH DATA.

| PART NO  | REV | N/P | STATUS   | MAT'L SIZE    | MAT'L SPEC   | PART NO  | REV | N/P | STATUS   | MAT'L SPEC              | SIZE (MM²) | B <sub>±0.25</sub> | C <sub>±0.15</sub> | D <sub>MAX</sub> | (E)  | G <sub>±0.15</sub> | H <sub>±0.15</sub> |
|----------|-----|-----|----------|---------------|--------------|----------|-----|-----|----------|-------------------------|------------|--------------------|--------------------|------------------|------|--------------------|--------------------|
| -        | -   | -   | -        | 0.406 X 11.13 | COPPER ALLOY | 12124369 | A5  | -   | -        | TIN PLATED COPPER ALLOY | 0.35 - 0.8 | 2.4                | 0.5                | 0.35             | 0.76 | 9.42               | 4.71               |
| -        | -   | -   | -        | 0.406 X 11.13 | COPPER ALLOY | 12124033 | A   | -   | OBSOLETE | TIN PLATED COPPER ALLOY | -          | 2.4                | 0.5                | 0.35             | 0.76 | 16.51              | 8.26               |
| 12064906 | B4  | -   | OBSOLETE | 0.406 X 11.13 | COPPER ALLOY | 13652872 | 01  | AD  | -        | TIN PLATED COPPER ALLOY | 4 - 6      | 5.84               | 1.98               | 0.35             | 0.76 | 16.51              | 8.26               |
| 12064905 | B4  | -   | OBSOLETE | 0.406 X 11.13 | COPPER ALLOY | 12084689 | A5  | -   | -        | TIN PLATED COPPER ALLOY | 3 - 5      | 4.57               | 1.39               | 0.35             | 0.76 | 16.51              | 8.26               |
| 12064904 | C6  | -   | OBSOLETE | 0.406 X 11.13 | COPPER ALLOY | 12084688 | B5  | -   | -        | TIN PLATED COPPER ALLOY | 0.8 - 2    | 3.68               | 0.88               | 0.35             | 0.76 | 9.42               | 4.71               |
|          |     |     |          |               |              |          |     |     |          |                         |            |                    |                    |                  |      |                    |                    |

| DIMENSIONAL RANGE (MM) | CHART 'D' |
|------------------------|-----------|
| FROM 0                 | > 12      |
| TO 12                  | > 12      |

|  |              |
|--|--------------|
| DWG TYPE   | PART DRAWING |
| STYLE  |              |
| VOLUME (CPI)   | DISTR CODE   |
| UNLESS OTHERWISE SPECIFIED   |              |
| THIS DOCUMENT IS IN ACCORDANCE WITH ASME Y14.5M-1994 AS AMENDED BY THE 2001 GLOBAL DIMENSIONING AND TOLERANCING ADDENDUM-2001. SEPARATE PATTERNS OF FEATURES MAY BE GAGED SEPARATELY REGARDLESS OF DATUM REFERENCES. |              |
| ALL DIMENSIONS ARE IN MILLIMETERS  |              |
| THIRD ANGLE PROJECTION   | DO NOT SCALE |
| USE MATH DATA  | NX           |

**DELPHI**  
DELPHI PACKARD ELECTRICAL/ELECTRONIC ARCHITECTURE  
WARREN, OH

|                     |        |
|---------------------|--------|
| DR                  | DATE   |
| APVD1 A. CARBONEY   | 26FE07 |
| APVD2 FCO. RESENDIZ | 02MR07 |
| APVD3 P. YABUR      | 09MR07 |
| APVD4               |        |
| APVD5               |        |

SUBSTANCES OF CONCERN AND RECYCLED CONTENT PER DELPHI 10949001

MATERIAL SEE CHART

DRAWING NAME  
TAXI TERM SPLICE

DRAWING NUMBER  
12064907

|      |       |          |          |     |     |     |
|------|-------|----------|----------|-----|-----|-----|
| SIZE | SCALE | FRAME NO | SHEET NO | STG | REV | N/P |
| A1   | 8:1   | 1 OF 1   | 1 OF 1   | R   | 21  | -   |

## X-ON Electronics

Largest Supplier of Electrical and Electronic Components

*Click to view similar products for [Automotive Connectors](#) category:*

*Click to view products by [Delphi](#) manufacturer:*

Other Similar products are found below :

[003-018-000](#) [600858](#) [60403001](#) [60993906-B](#) [60993913-B](#) [629515004020001](#) [M902-2131](#) [M902-2161](#) [M902-2344](#) [72.330.1035.1](#)  
[73.353.4028.0](#) [F118010](#) [F119300-B](#) [F132210](#) [F132210-B](#) [F166900](#) [F180100](#) [F258300](#) [F258300-B](#) [F294300-B](#) [F339100](#) [F339700](#) [F358300-](#)  
[B](#) [F374110](#) [F407400](#) [F412210](#) [F427600](#) [F444110](#) [F487000](#) [F495100-B](#) [F500900-B](#) [F509500B-B](#) [770444-1](#) [776880-1](#) [827153-1](#) [881735-1](#)  
[8N1515-32-24P](#) [9-1326727-8](#) [9-1326729-8](#) [925467-1](#) [925474-1](#) [928905-1](#) [936398-2](#) [964562-1](#) [964562-4](#) [964731-2](#) [965051-1](#) [968782-1](#)  
[GT17SA-8DS-HU](#) [GT17VS-10DP-5.2CF](#)