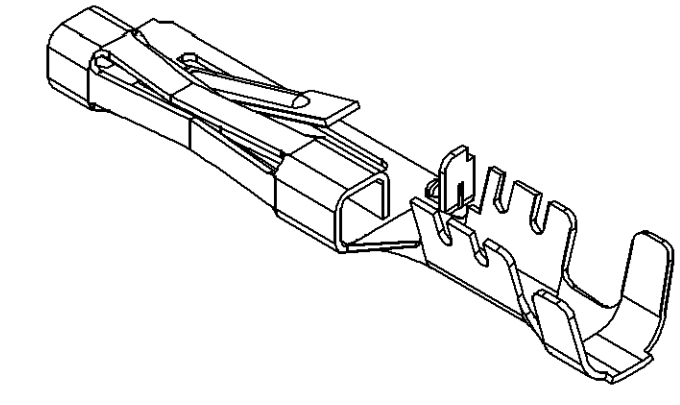
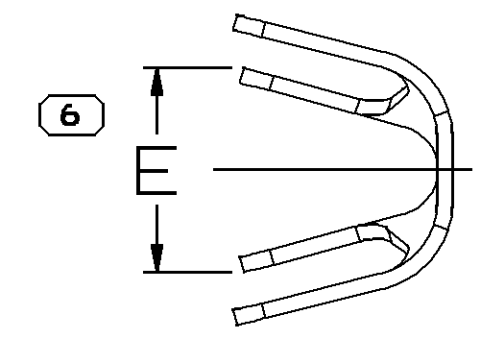


| SYMBOL DEFINITION | | MISSING SYMBOLS | |
|--------------------------------------------------------------------------------------------------------------------------------------------|----------------------------------|--------------------------|--|
| A DIMENSION WITHOUT AN INSPECTION REPORT SYMBOL () DOES NOT REQUIRE INSPECTION. IT MAY BE CONTROLLED ON THE INDIVIDUAL COMPONENT DRAWING. | TOTAL NO OF INSPECTIONS REQUIRED | NO MISSING SYMBOL NUMBER | |
| | 6 | | |
| | LAST NO. USED | | |
| | 6 | | |

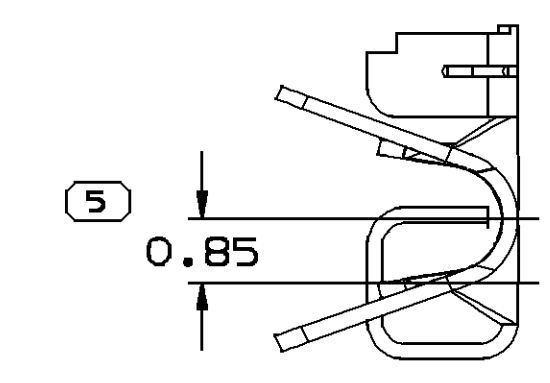
| DWG STATUS | | | | ZONE | REVISION HISTORY | AUTH | DR | APVD1 | APVD2 |
|------------|-----|-----|-----|------|---------------------------------------------------------------|--------|-----|-------|-------|
| DATE | STG | REV | N/P | | | | | | |
| 29JA02 | R | 14 | - | - | ALL PARTS - WERE SEPARATE DRAWINGS AND REDRAWN TO PD | 219962 | JAA | JAA | BTG |
| 070C03 | R | 15 | - | - | 15317755 - UPDATED PDM ATTRIBUTES | 246976 | ADK | BB | DMB |
| 250C04 | R | 16 | - | - | 15317755 - REV LEVEL FOR AUTHORITY CHANGE NUMBER 246976 WAS 4 | 260518 | TLD | TLD | ET |
| 21JL05 | R | 17 | - | - | 12146447-48 - CREATED NISSAN CUSTOMER PART DRAWING | 265749 | JTV | FKV | TAV |
| 21JL05 | R | 18 | - | - | ALL PARTS - UPDATED PDM ATTRIBUTES | 268616 | JTV | FKV | MB |
| 15AU05 | R | 19 | - | - | ALL PARTS - UPDATED PDM ATTRIBUTES | 271317 | CCV | FRG | MB |



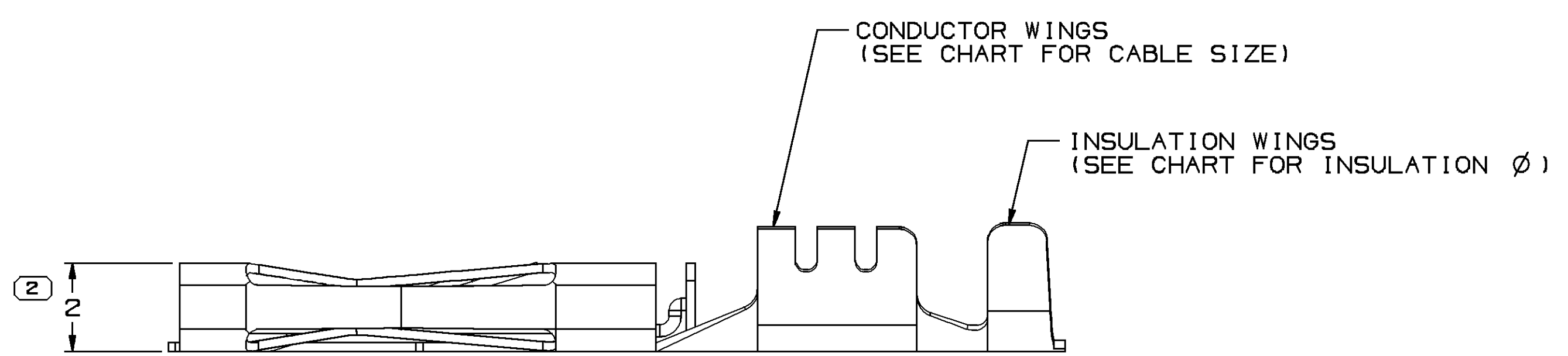
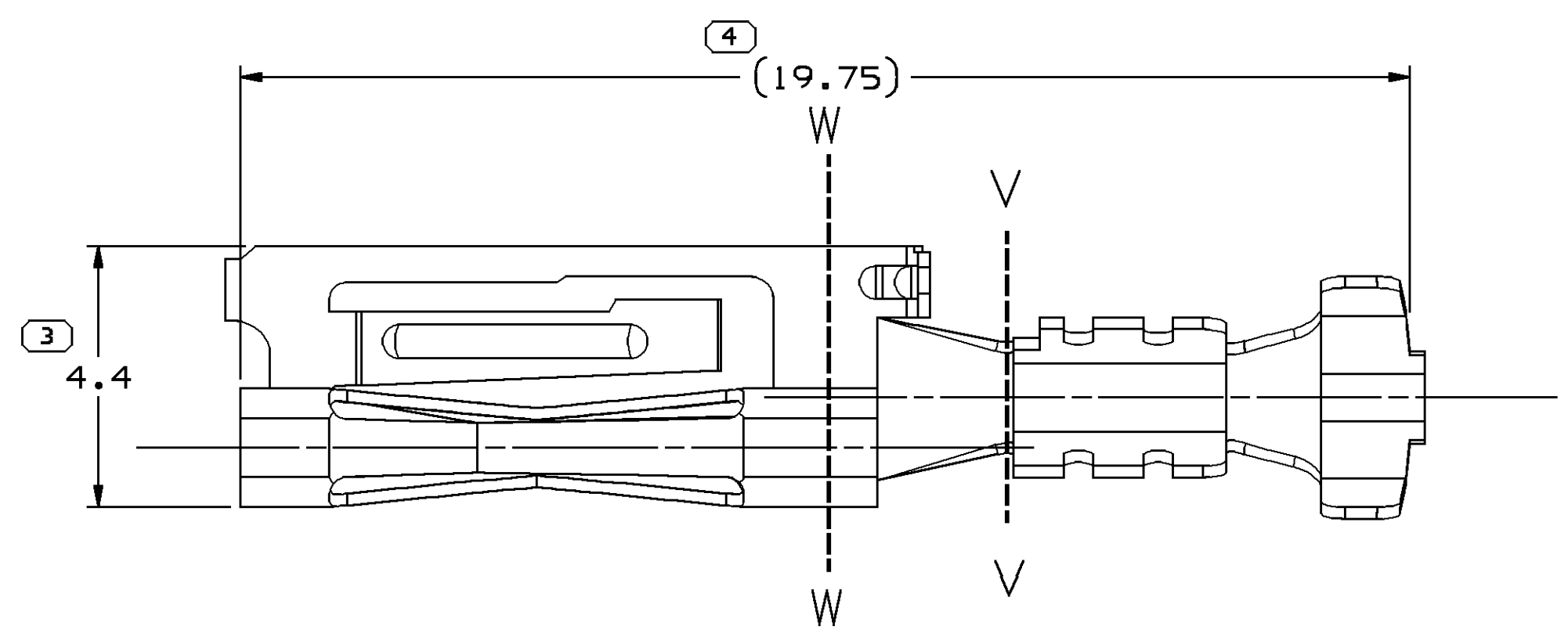
VIEW SCALE DOES NOT REFLECT ACTUAL PART SIZE



VIEW TO V-V
WING CONSTRUCTION 1



VIEW TO W-W
WING CONSTRUCTION 2



- NOTES
- UNLESS OTHERWISE SPECIFIED AND/OR INDICATED:
DIMENSIONS ARE TO FACE OF VIEW SHOWN AND AUTOMATICALLY ROUNDED BY COMPUTER FOR INSPECTION (SEE MATH MODEL FOR PRECISE DIMENSIONS). FOR ALL OTHER DIMENSIONS NOT SHOWN BUT REQUIRED FOR TOOL BUILD, SEE MATH MODEL FOR PRECISE TOOL PATH DATA.
 - "PXX" INDICATES "P" PLUS LAST TWO DIGITS OF MAKE DIE SERIES NUMBER (P01, P02, P03, ETC).
 - REFERENCE MATING COMPONENTS OR EQUIVALENT:
PIN 12020762
 - DO NOT PROBE, TEST OR OTHERWISE CONTACT THE INTERIOR REGION (THE SPRING OR ANY MOVING PART) OF THIS TERMINAL. SEVERE DAMAGE CAN OCCUR, COMPROMISING THE PERFORMANCE OF THE ELECTRICAL INTERFACE.

| PART NO | REV | N/P | STATUS | MAT'L SIZE | MAT'L SPEC | SIZE (MM ²) | ID | Ø MAX | TYPE | WING CONST | E |
|----------|-----|-----|--------|---------------|-------------------------|-------------------------|----|-------|------|------------|----------|
| 15317755 | 03 | AD | - | 0.203 X 26.97 | M3638488 CDA 70250 TMOO | 0.5 - 0.35 | 21 | 2.2 | 702 | 2 | 2.1 ±0.2 |
| 12146448 | 03 | AC | - | 0.203 X 26.97 | M3638488 CDA 70250 TMOO | 1 - 0.8 | 17 | 2.3 | 701 | 1 | 2.7 ±0.2 |
| 12146447 | 03 | AC | - | 0.203 X 26.97 | M3638488 CDA 70250 TMOO | 0.5 - 0.35 | 21 | 2.2 | 702 | 2 | 2.1 ±0.2 |
| | | | | PLATED | | | | | | | |
| | | | | | | | | | | | |
| | | | | | | | | | | | |
| | | | | | | | | | | | |

| | |
|--------------------------------------------------------------------------------------------------|---------|
| 6 PROCESS SENSITIVE DIMENSION | |
| DIMENSIONS ENCLOSED IN () INDICATE REFERENCE DIMENSIONS AND NO TOLERANCE LIMITS ARE ESTABLISHED | |
| DIMENSIONAL RANGE (MM) | CHART D |
| FROM 0 | > 12 |
| TO 12 | |
| TOLERANCE UNLESS OTHERWISE SPECIFIED | |
| ±0.1 | ±0.2 |
| ANGULAR TOLERANCE | ±2° |

| | |
|--------------------------------------------------------------------------------------------------------------------------------------------------------------------------------------------------------------------------------------------------|-------------------------------|
| DWG TYPE PART DRAWING | |
| STYLE | |
| VOLUME (CPI) | DISTR CODE D |
| UNLESS OTHERWISE SPECIFIED THIS DOCUMENT IS IN ACCORDANCE WITH ASME Y14.5M-1994 AS AMENDED BY THE 01 GLOBAL DIMENSIONING AND TOLERANCING ADDENDUM-2001. SEPARATE PATTERNS OF FEATURES MAY BE GAGED SEPARATELY REGARDLESS OF DATUM REFERENCES. | |
| ALL DIMENSIONS ARE IN MILLIMETERS | |
| THIRD ANGLE PROJECTION | DO NOT SCALE USE MATH DATA |
| UNIGRAPHICS | |

DELPHI
DELPHI PACKARD ELECTRIC SYSTEMS
WARREN, OH

| | |
|----------------------------------------------------------------|--------------------|
| DR | DATE |
| APVD1 J.S. ALVARADO | 29JA02 |
| APVD2 J.S. ALVARADO | 30JA02 |
| APVD3 B. GEISLER | 01FE02 |
| APVD4 | |
| APVD5 | |
| SUBSTANCES OF CONCERN AND RECYCLED CONTENT PER DELPHI 10945001 | |
| MATERIAL SEE CHART | |
| DRAWING NAME TAXI TERM F MIC/P 100 | |
| DRAWING NUMBER 12020760 | |
| SIZE A1 | SCALE 10:1 |
| FRAME NO 1 OF 1 | SHEET NO 7 OF 7 |
| STG R | REV 19 |
| N/P - | |

X-ON Electronics

Largest Supplier of Electrical and Electronic Components

Click to view similar products for [Automotive Connectors](#) category:

Click to view products by [Delphi](#) manufacturer:

Other Similar products are found below :

[003-018-000](#) [600858](#) [60403001](#) [60993906-B](#) [60993913-B](#) [629515004020001](#) [M902-2131](#) [M902-2161](#) [M902-2344](#) [72.330.1035.1](#)
[73.353.4028.0](#) [F118010](#) [F119300-B](#) [F132210](#) [F132210-B](#) [F166900](#) [F180100](#) [F258300](#) [F258300-B](#) [F294300-B](#) [F339100](#) [F339700](#) [F358300-](#)
[B](#) [F374110](#) [F407400](#) [F412210](#) [F427600](#) [F444110](#) [F487000](#) [F495100-B](#) [F500900-B](#) [F509500B-B](#) [770444-1](#) [776880-1](#) [827153-1](#) [881735-1](#)
[8N1515-32-24P](#) [9-1326727-8](#) [9-1326729-8](#) [925467-1](#) [925474-1](#) [928905-1](#) [936398-2](#) [964562-1](#) [964562-4](#) [964731-2](#) [965051-1](#) [968782-1](#)
[GT17SA-8DS-HU](#) [GT17VS-10DP-5.2CF](#)