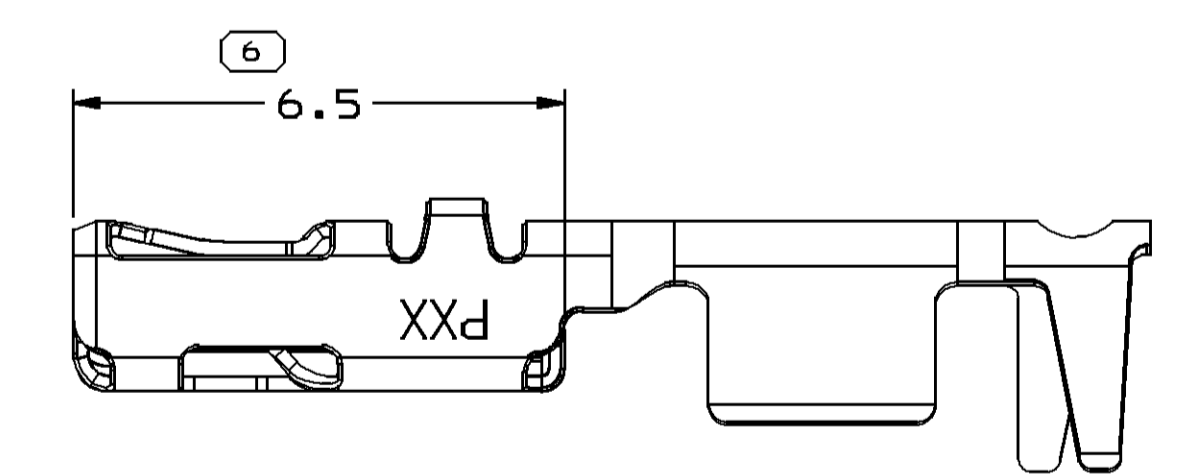
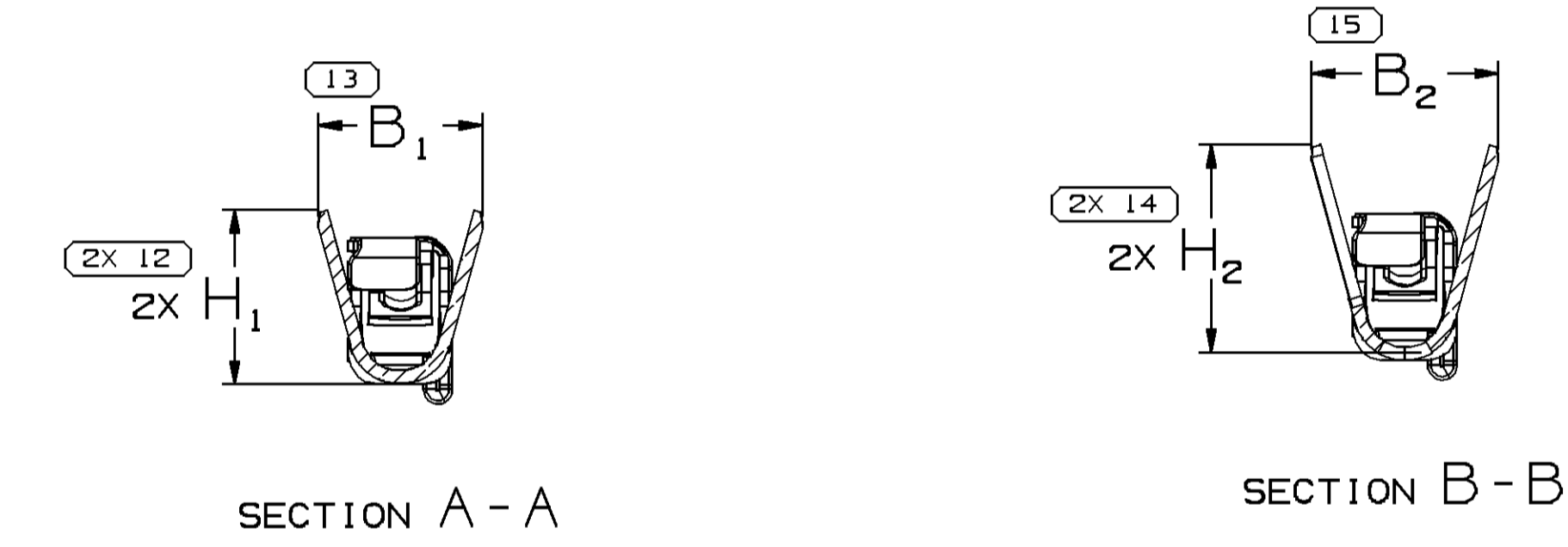
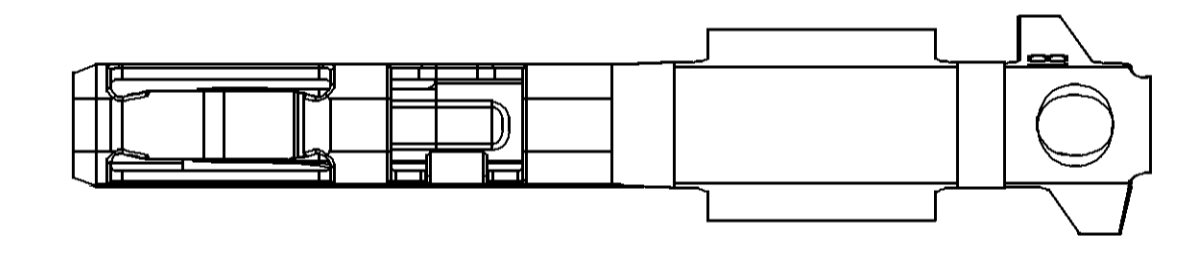
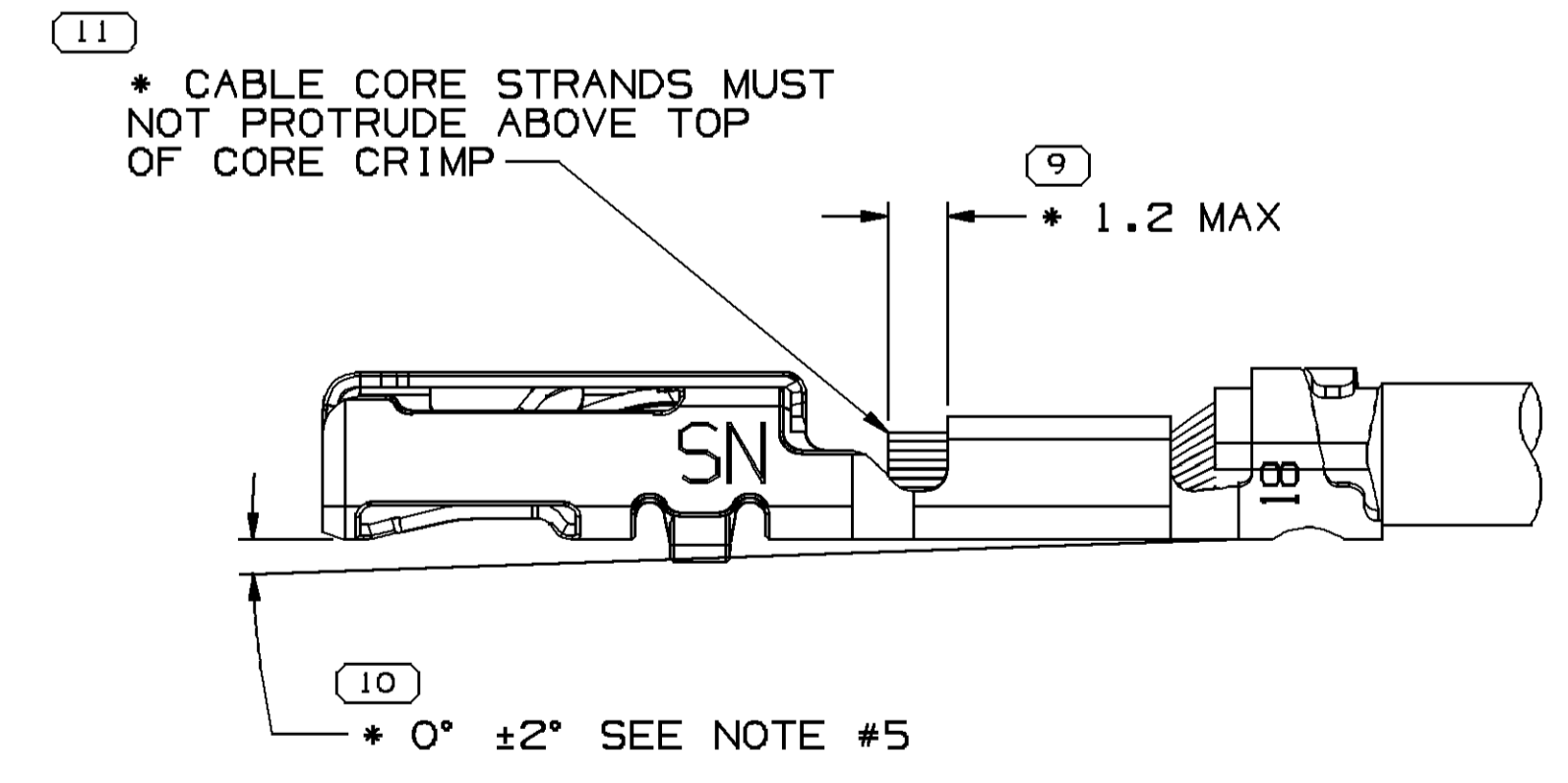
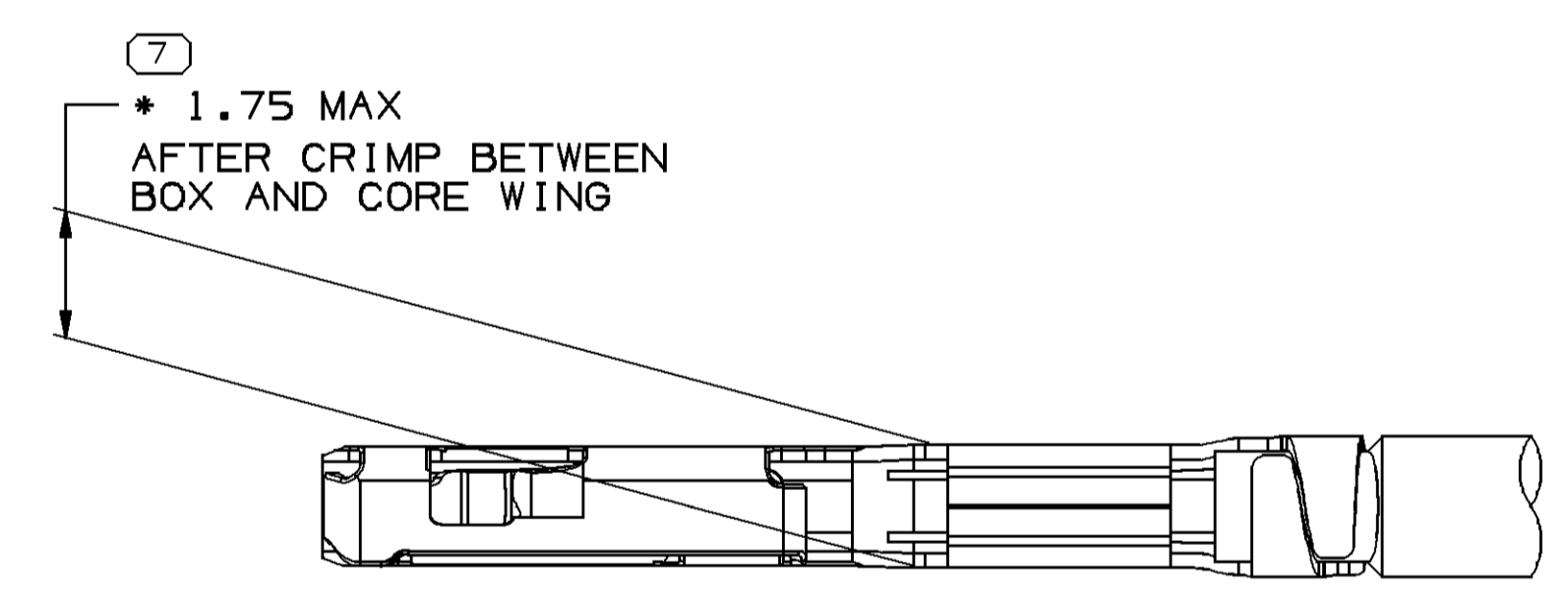
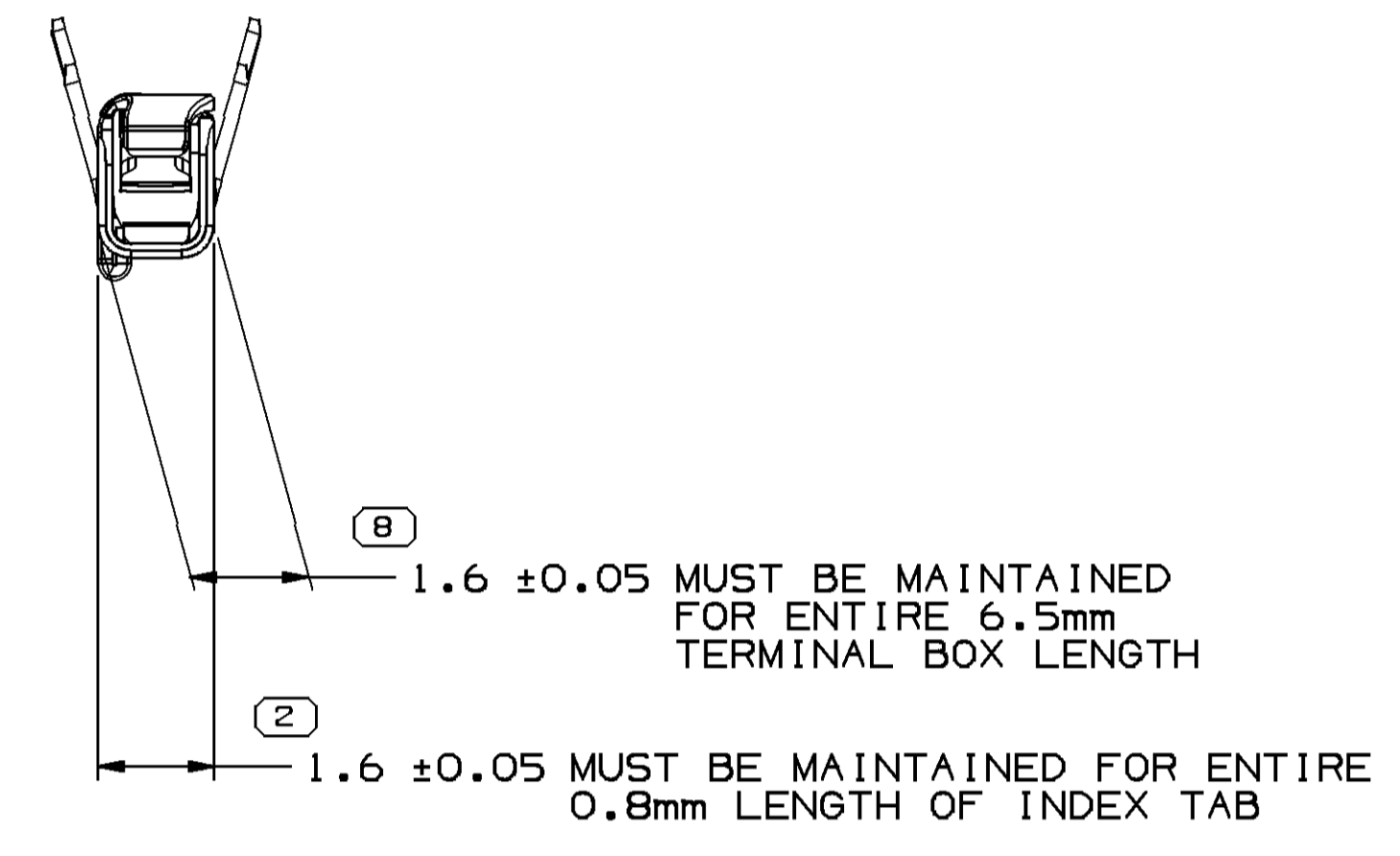
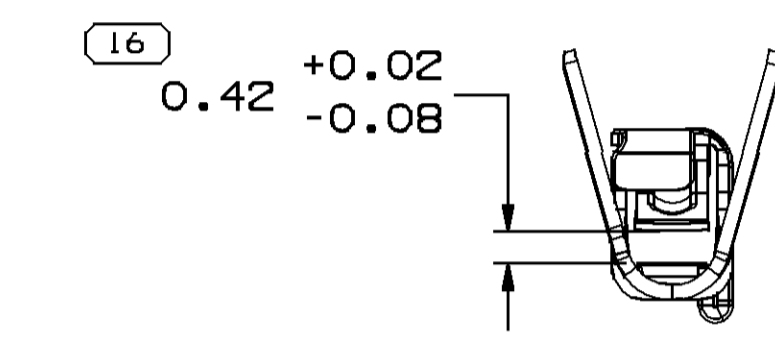
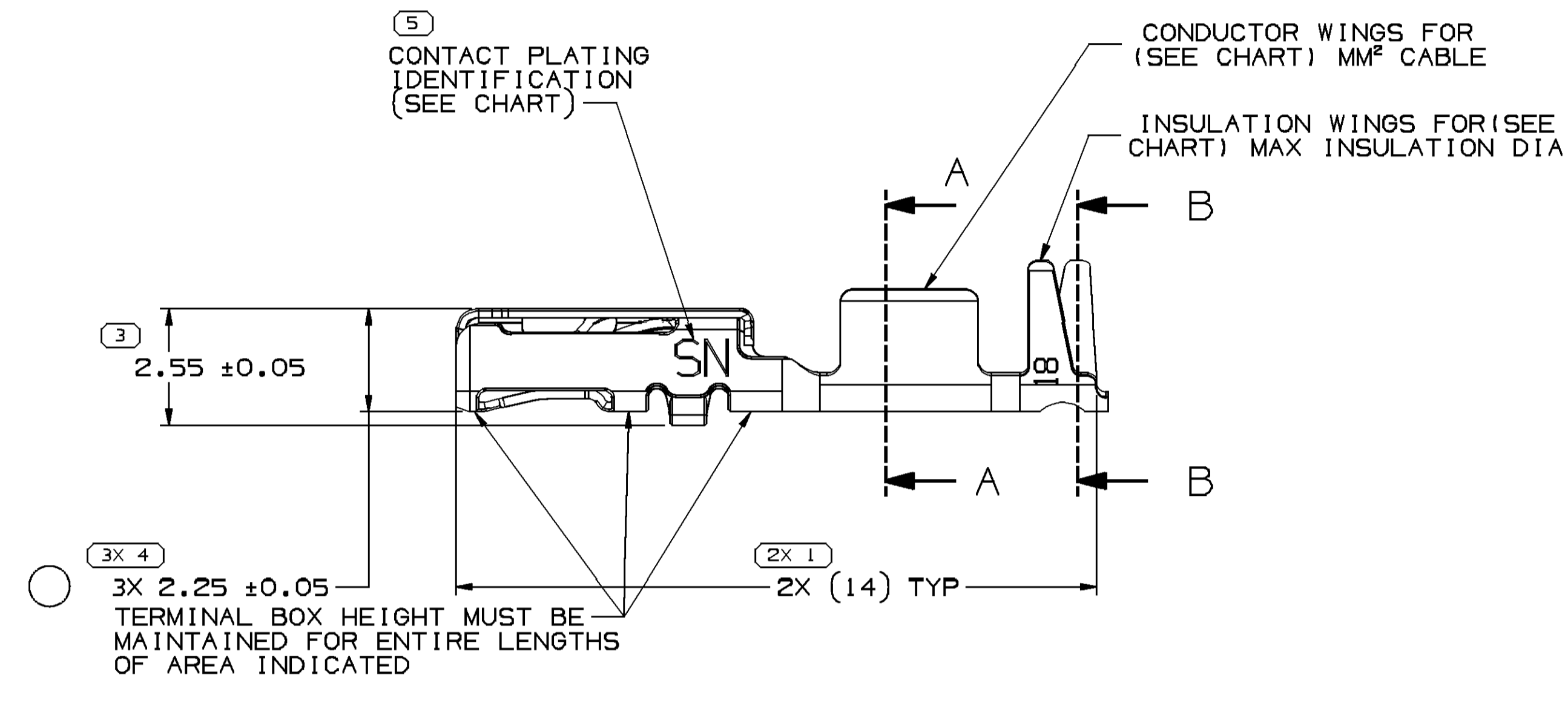
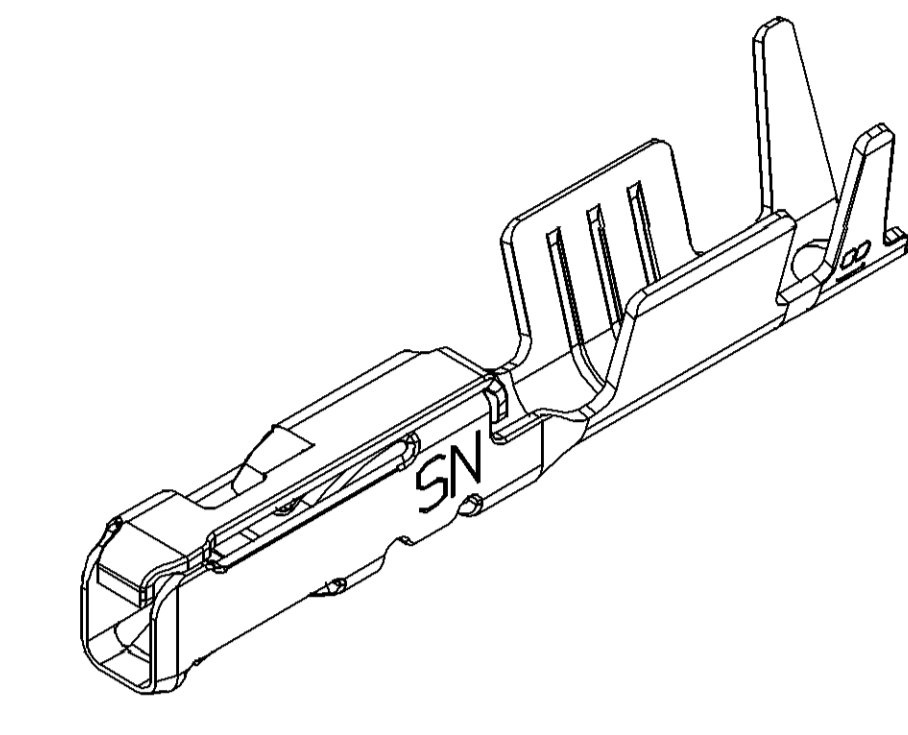
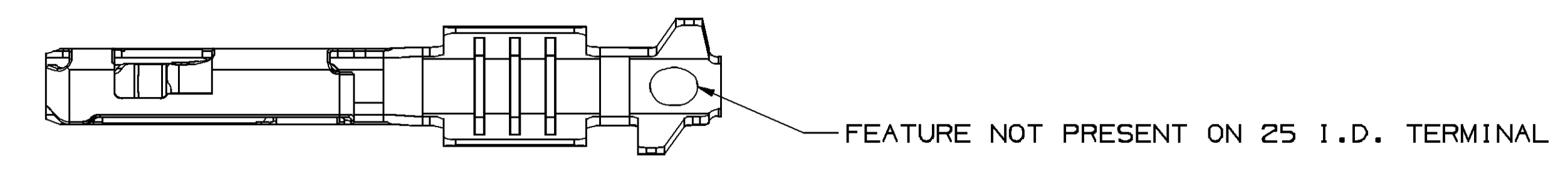


SYMBOL DEFINITION		TOTAL NO OF INSPECTIONS REQUIRED	MISSING SYMBOLS
A DIMENSION WITHOUT AN INSPECTION REPORT SYMBOL DOES NOT REQUIRE INSPECTION. IT MAY BE CONTROLLED ON THE INDIVIDUAL COMPONENT DRAWING.		21	NO MISSING SYMBOL NUMBER
		LAST NO. USED	16

DWG STATUS				REVISION HISTORY				AUTH	DR	APVD/APVD	
DATE	STG	REV	N/P	CHG	ZONE						
16MY11	R	01	-	-		ALL PARTS - WERE ON TAXI DRAWING 13767042 SHT 2			414274	JAR	RJB
20JL11	R	02	-	-		ALL PARTS - ADDED USCAR NOTE			414844	CBG	CBG/RBS
08AU11	R	03	-	-		13767043 - CABLE SIZE WAS 0.75 - 0.8 AND 13767045 - CABLE DIAMETER WAS 0.81 - 1.1			415000	AJP	JVM/RBS
15FE12	R	04	-	-		13767045 - UPDATED PDM ATTRIBUTES			417111	JAR	JAR/RBS
16MR12	R	05	-	-		ALL PARTS - UPDATED PDM ATTRIBUTES			417529	JAR	JAR/DGL
26NO12	R	06	-	-		ALL PARTS - UPDATED PDM ATTRIBUTES			420530	JTZ	JTZ/RBS
08AP15	R	07	-	-		ALL PARTS - 3X 2.25 ± 0.05 WAS 2.25 ± 0.05 AND ADDED CRIMP SIZE NOTE; 13767044, 13767045 - REVISED CABLE DIAMETER COLUMN IN CHART			429296	APB	APB/RJB



TERMINAL, CABLE CRIMP ALIGNMENT & POSITION

PART NUMBER	REV	N/P	MATERIAL DESCRIPTION	CONTACT AREA PLATING TYPE (SEE NOTE 7)	CRIMP AREA PLATING TYPE (SEE NOTE 7)	CONTACT PLATING	CONTACT PLATING I.D.	I.D.	CABLE SIZE (mm²)	CABLE DIAMETER	B ₁ ± 0.15	B ₂ ± 0.3	(H ₁)	(H ₂)
13767043	01	AJ	COPPER ALLOY	I	I	TIN	SN	18	0.8	1.7 - 1.9	2.52	2.88	2.68	3.31
13767044	01	AG	COPPER ALLOY	I	I	TIN	SN	21	0.35 - 0.5	1.2 - 1.83	2.04	2.8	2.06	3.17
13767045	01	AJ	COPPER ALLOY	I	I	TIN	SN	25	0.13 - 0.22	0.83 - 1.2	1.54	1.74	1.56	1.77

- NOTES
- UNLESS OTHERWISE SPECIFIED AND/OR INDICATED: DIMENSIONS ARE TO FACE OF VIEW SHOWN AND AUTOMATICALLY ROUNDED BY COMPUTER FOR INSPECTION (SEE MATH MODEL FOR PRECISE DIMENSIONS). FOR ALL OTHER DIMENSIONS NOT SHOWN BUT REQUIRED FOR TOOL BUILD, SEE MATH MODEL FOR PRECISE TOOL PATH DATA.
 - RECOMMENDED MATING BLADE THICKNESS 0.64 ± 0.03mm. RECOMMENDED MATING BLADE WIDTH NOT TO EXCEED 1mm AND NO LESS THAN 0.6mm. SEE USCAR EWCAP-001 DRAWING (0.64 PIN) FOR OTHER MATING BLADE REQUIREMENTS.
 - MAXIMUM CURRENT CAPACITY IS 7.5 AMPS WITH 0.8mm² COPPER CABLE.
 - * DENOTES DIMENSIONS MADE AT CUT-OFF AND CRIMP DIE
 - PLUS ANGLE IS WING BOTTOM SURFACE ROTATED COUNTERCLOCKWISE AGAINST THE BOX BOTTOM SURFACE.
 - DO NOT PROBE, TEST OR OTHERWISE CONTACT THE INTERIOR REGION (THE SPRING OR ANY MOVING PART) OF THIS TERMINAL. SEVERE DAMAGE CAN OCCUR, COMPROMISING THE PERFORMANCE OF THE ELECTRICAL INTERFACE.
 - PLATING TYPE:
 - REFLOW TIN 1.9-3.3 MICROMETERS THICK OVER NICKEL UNDERPLATE 0.13-0.5 MICROMETERS THICK
 - PLATING TYPE INFORMATION SHOWN ABOVE IS REFERENCE ONLY; PLATING REQUIREMENTS ARE CONTAINED IN APPLICABLE MATERIAL SPECIFICATION
 - SEE TAXI P/N 13767042 FOR SIMILAR TERMINALS WITH DIFFERENT CONNECTOR CAVITY INDEX.
 - PARTS MEET THE PERFORMANCE REQUIREMENTS OF GMW3191 DEC 2007 AND SAE/USCAR-2 R5 REVISIONS FOR THE FOLLOWING CLASSIFICATIONS:
 - TEMPERATURE CLASS 3 (-40°C TO +125°C)
 - VIBRATION CLASS 1 (ON BODY OR CHASSIS)
 - SEALING CLASS 1 (UNSEALED) FOR GAGE I.D.25
 - SEALING CLASS 2 & 3 (SEALED - CONNECTOR DEPENDENT) FOR GAGE I.D. 18 & 21
 - MAXIMUM INSULATION CRIMP WIDTH 1.77mm AND HEIGHT 2.3mm FOR CABLE SIZE UP TO 1.9mm O.D. MAXIMUM CORE CRIMP WIDTH 1.67

LINE DRAWN THROUGH * PART NUMBER INDICATES THAT PHYSICAL PARTS ARE NOT AVAILABLE FOR ORDERING.	
PART NUMBERS THAT DO NOT HAVE A LINE PRESENT INDICATE THAT PHYSICAL PARTS ARE AVAILABLE FOR ORDERING.	
CONTACT DELPHI SALES TO ASSURE AVAILABILITY OF PARTS.	
UNLESS OTHERWISE SPECIFIED THIS DOCUMENT IS IN ACCORDANCE WITH ASME Y14.5M-1994 AS MODIFIED BY THE 2003 SUPPLEMENT AND TELEPHONIC ADDENDUM-2001. SEPARATE PATTERNS OF FEATURES MAY BE ISSUED SEPARATELY, REGARDLESS OF DATUM REFERENCES.	
ALL DIMENSIONS ARE IN MILLIMETERS	
DIMENSIONS ENCLOSED IN () INDICATE REFERENCE DIMENSIONS AND NO TOLERANCE LIMITS ARE ESTABLISHED	
DIMENSIONAL RANGE (MM)	CHART CD
FROM 0 TO 12	> 12
TOLERANCE UNLESS OTHERWISE SPECIFIED	
±0.1	±0.2
ANGULAR TOLERANCE ±2°	

DELPHI
 DELPHI PACKARD ELECTRICAL/ELECTRONIC ARCHITECTURE
 WARREN, OH
 COPYRIGHT 2011 DELPHI CORPORATION AND/OR ITS AFFILIATES. ALL RIGHTS RESERVED.
 THIS DRAWING IS THE PROPERTY OF DELPHI CORPORATION AND CONTAINS DELPHI CONFIDENTIAL INFORMATION. THE REPRODUCTION, DISTRIBUTION AND UTILIZATION OF THIS DOCUMENT OR ITS CONTENTS OR ANY DATA AS WELL AS COMMUNICATION OF ANY CONTENT TO OTHERS, WITHOUT EXPRESS AUTHORIZATION, IS PROHIBITED.

OR	DATE
APV01 JOSE A. RODRIGUEZ	16MY11
APV02 JOSE A. RODRIGUEZ	16MY11
APV03 RAY J. BLASKO	20MY11
APV04	
APV05	

SUBSTANCE OF CONCERN AND RECYCLED CONTENT, PER DELPHI (0949001)

DRAWING NUMBER: 13887649

TAXI TERM F OCS 0.64 IDR SN

SIZE	SCALE	FRAME NO	SHEET NO	STG	REV	N/P
A0	10:1	1 OF 1	1 OF 1	R	07	-

X-ON Electronics

Largest Supplier of Electrical and Electronic Components

Click to view similar products for [Automotive Connectors](#) category:

Click to view products by [Delphi](#) manufacturer:

Other Similar products are found below :

[003-018-000](#) [600858](#) [60403001](#) [60993906-B](#) [60993913-B](#) [629515004020001](#) [M902-2131](#) [M902-2161](#) [M902-2344](#) [72.330.1035.1](#)
[73.353.4028.0](#) [F118010](#) [F119300-B](#) [F132210](#) [F132210-B](#) [F166900](#) [F180100](#) [F258300](#) [F258300-B](#) [F294300-B](#) [F339100](#) [F339700](#) [F358300-](#)
[B](#) [F374110](#) [F407400](#) [F412210](#) [F427600](#) [F444110](#) [F487000](#) [F495100-B](#) [F500900-B](#) [F509500B-B](#) [770444-1](#) [776880-1](#) [827153-1](#) [881735-1](#)
[8N1515-32-24P](#) [9-1326727-8](#) [9-1326729-8](#) [925467-1](#) [925474-1](#) [928905-1](#) [936398-2](#) [964562-1](#) [964562-4](#) [964731-2](#) [965051-1](#) [968782-1](#)
[GT17SA-8DS-HU](#) [GT17VS-10DP-5.2CF](#)