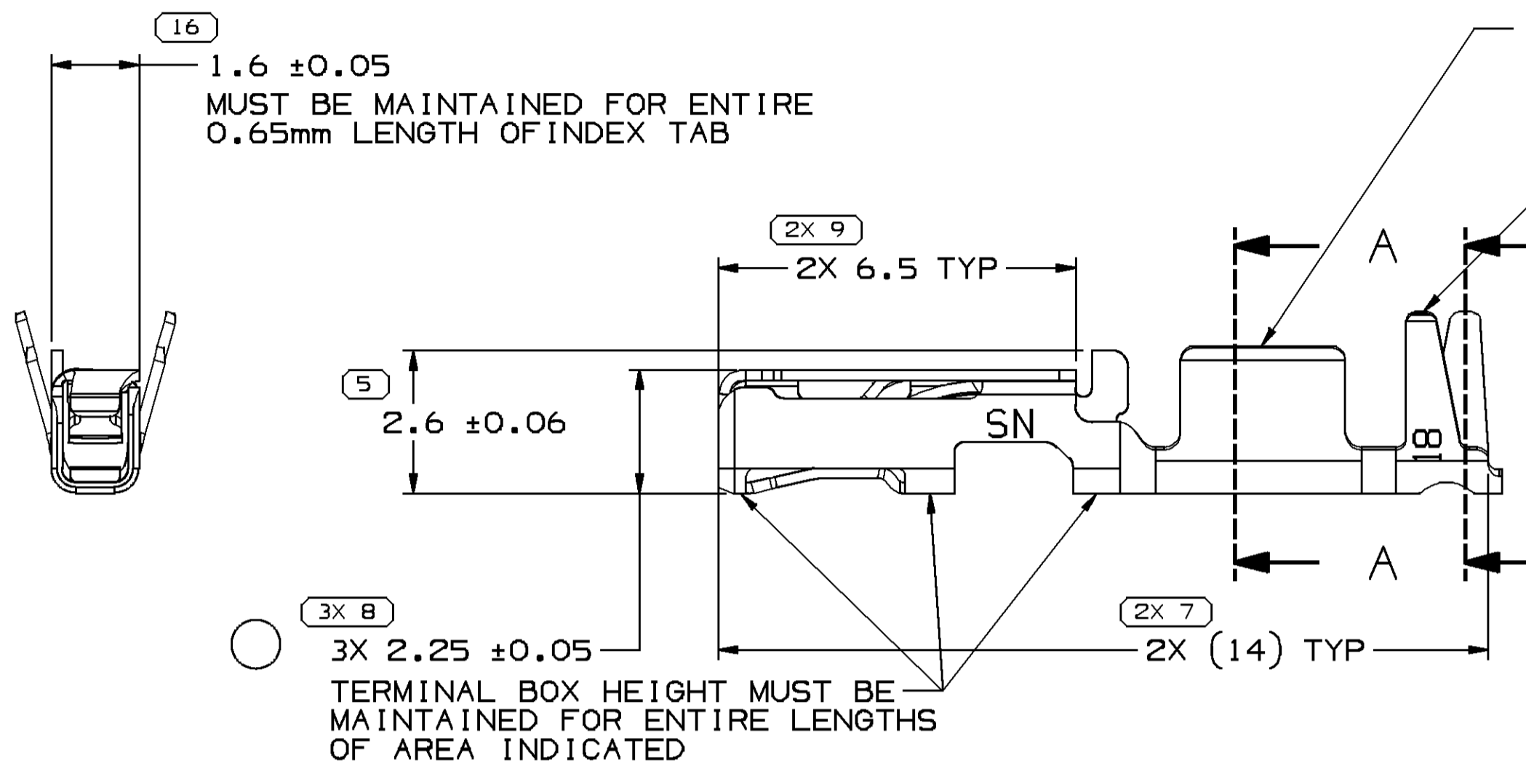
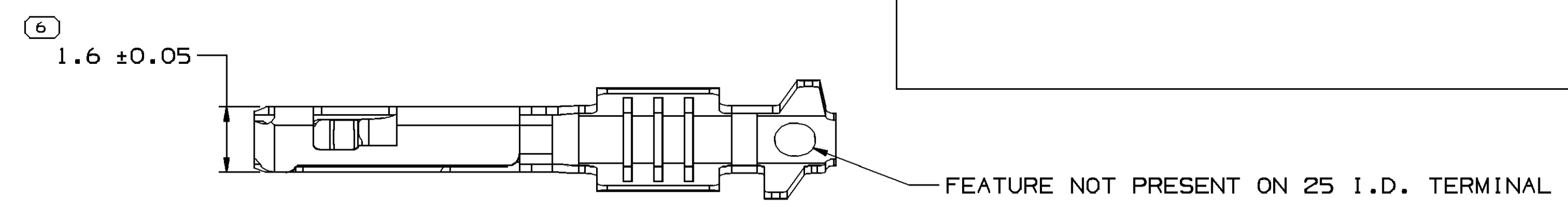
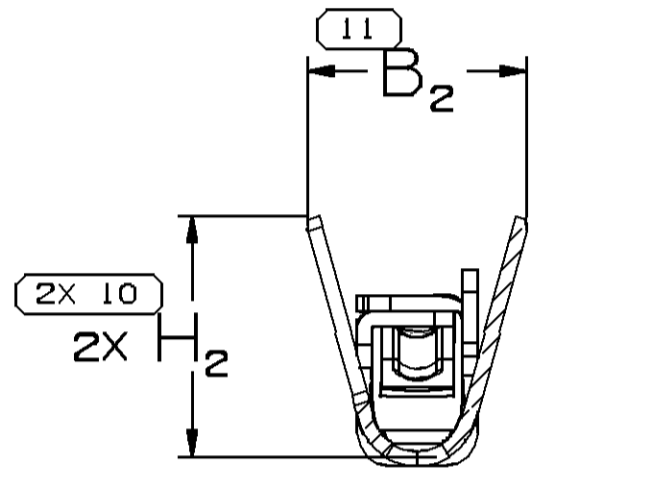
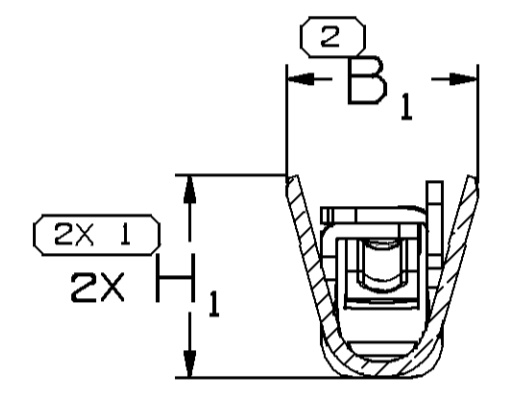
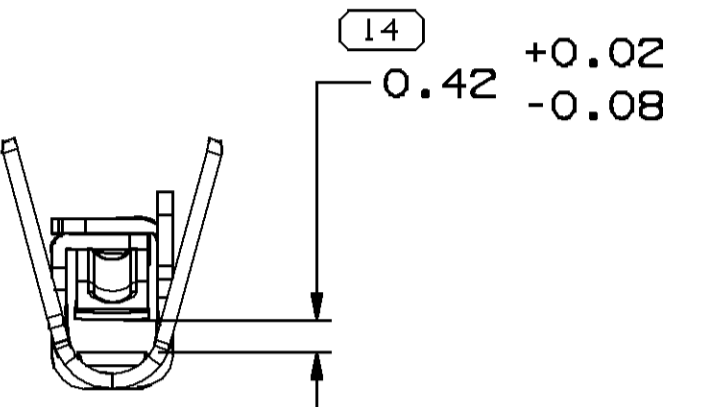


| SYMBOL DEFINITION  |                                  | MISSING SYMBOLS |       |
|--|----------------------------------|-----------------|-------|
| A DIMENSION WITHOUT AN INSPECTION REPORT SYMBOL DOES NOT REQUIRE INSPECTION. IT MAY BE CONTROLLED ON THE INDIVIDUAL COMPONENT DRAWING. | TOTAL NO OF INSPECTIONS REQUIRED | 21              | 15 17 |
|  | LAST NO. USED                    | 17              |       |

| DWG STATUS |     |     |     |     | REVISION HISTORY |   |        | AUTH | DR  | APVD1 | APVD2 |
|------------|-----|-----|-----|-----|------------------|---|--------|------|-----|-------|-------|
| DATE       | STG | REV | N/P | CHG | ZONE             |   |        |      |     |       |       |
| 28JUN10    | R   | 01  | -   | -   |                  | ALL PARTS: REVISED AND RELEASED (13767046 WAS PE199796, 13767047 WAS PE199797, 13767048 WAS PE199798)                             | 411212 | MM   | MM  | RJB   |       |
| 26JUL10    | R   | 02  | -   | -   |                  | ALL PARTS: ADDED PLATING TYPE INFORMATION; REVISED MATERIAL   | 411382 | MM   | MM  | RJB   |       |
| 08OCT10    | R   | 03  | -   | -   |                  | ALL PARTS - REVISED "PLATING TYPE" NOTE   | 412155 | MAB  | JVM | RJB   |       |
| 15DEC10    | R   | 04  | -   | -   |                  | ALL PARTS - UPDATED PDM ATTRIBUTES  | 412886 | AGM  | JVM | RJB   |       |
| 24JAN11    | R   | 05  | -   | -   |                  | ALL PARTS - UPDATED PDM ATTRIBUTES  | 413112 | CB0  | CB0 | RJB   |       |
| 16MAY11    | R   | 06  | -   | -   |                  | ALL PARTS - ADDED NOTE "SEE TAXI P/N"   | 414274 | JAR  | JAR | RJB   |       |
| 20JUL11    | R   | 07  | -   | -   |                  | ALL PARTS - ADDED USCAR NOTE  | 414845 | CB0  | CB0 | RBS   |       |
| 01JUN12    | R   | 08  | -   | -   |                  | ALL PARTS - UPDATED PDM ATTRIBUTES  | 418312 | CB0  | CB0 | RJB   |       |
| 08APR15    | R   | 09  | -   | -   |                  | ALL PARTS - 3X 2.25 ± 0.05 WAS 2.25 ± 0.05 AND ADDED CRIMP SIZE NOTE: 13767047, 13767048 - REVISED CABLE DIAMETER COLUMN IN CHART | 429304 | APB  | APB | RJB   |       |



CONDUCTOR WINGS FOR (SEE CHART) MM<sup>2</sup> CABLE  
INSULATION WINGS FOR (SEE CHART) MAX INSULATION DIA

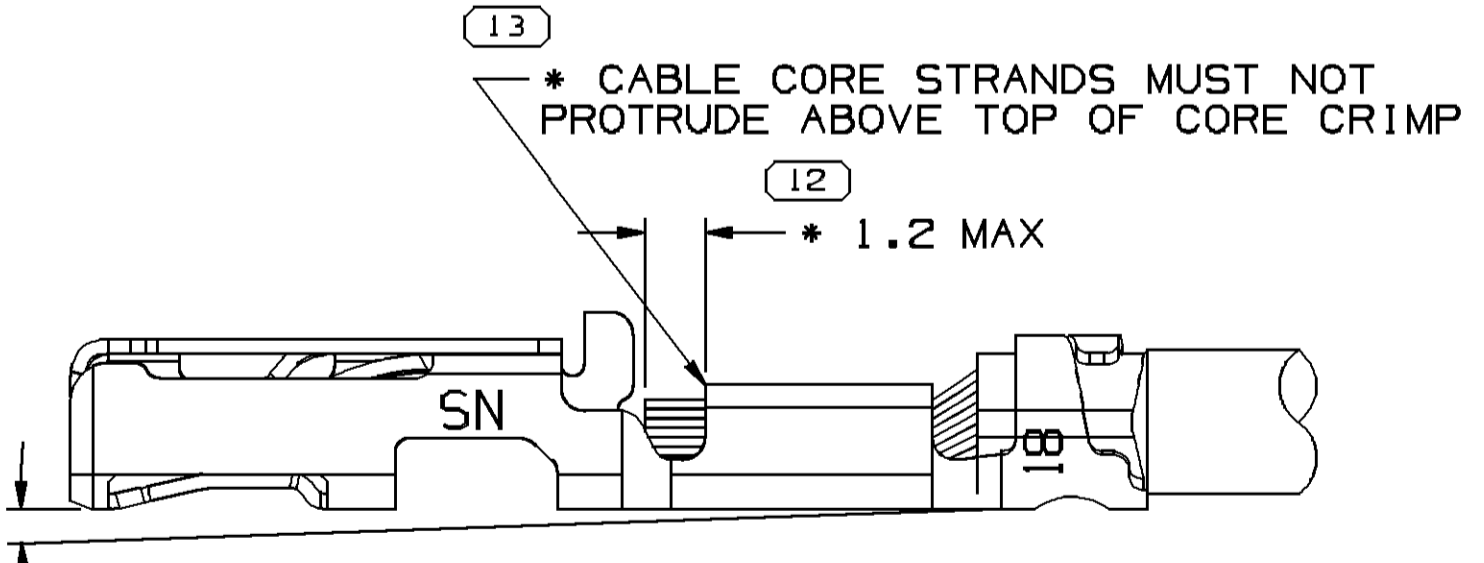
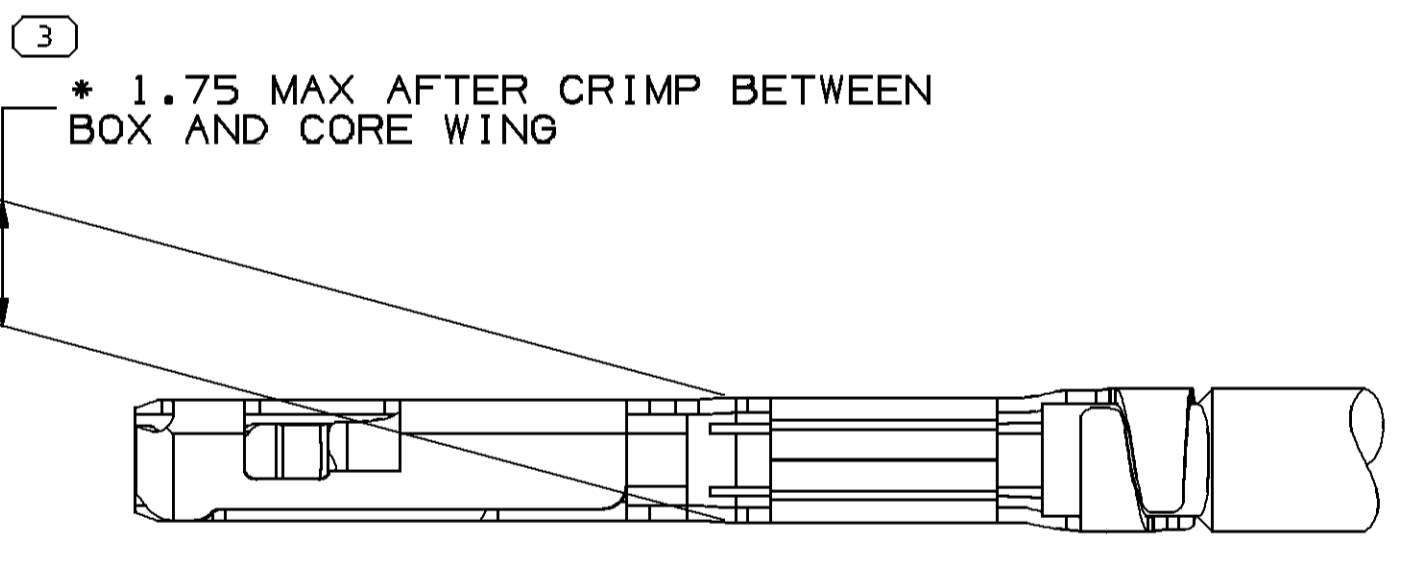


SECTION A - A

SECTION B - B

NOTES

- UNLESS OTHERWISE SPECIFIED AND/OR INDICATED:  
DIMENSIONS ARE TO FACE OF VIEW SHOWN AND AUTOMATICALLY ROUNDED BY COMPUTER FOR INSPECTION (SEE MATH MODEL FOR PRECISE DIMENSIONS). FOR ALL OTHER DIMENSIONS NOT SHOWN BUT REQUIRED FOR TOOL BUILD, SEE MATH MODEL FOR PRECISE TOOL PATH DATA.
- RECOMMENDED MATING BLADE THICKNESS 0.64±0.03mm  
RECOMMENDED MATING BLADE WIDTH NOT TO EXCEED 1mm AND NO LESS THAN 0.6mm. SEE USCAR EWCAP-001 DRAWING (0.64 PIN) FOR OTHER MATING BLADE REQUIREMENTS.
- MAXIMUM CURRENT CAPACITY IS 7.5 AMPS WITH 0.8mm<sup>2</sup> COPPER CABLE.
- \* DENOTES DIMENSIONS MADE AT CUT-OFF AND CRIMP DIE
- PLUS ANGLE IS WING BOTTOM SURFACE ROTATED COUNTERCLOCKWISE AGAINST THE BOX BOTTOM SURFACE.
- DO NOT PROBE, TEST OR OTHERWISE CONTACT THE INTERIOR REGION (THE SPRING OR ANY MOVING PART) OF THIS TERMINAL. SEVERE DAMAGE CAN OCCUR, COMPROMISING THE PERFORMANCE OF THE ELECTRICAL INTERFACE.
- PLATING TYPE:  
1. REFLOW TIN 1.9-3.3 MICROMETERS THICK OVER NICKEL UNDERPLATE 0.13-0.5 MICROMETERS THICK  
PLATING TYPE INFORMATION SHOWN ABOVE IS REFERENCE ONLY. PLATING REQUIREMENTS ARE CONTAINED IN APPLICABLE MATERIAL SPECIFICATION
- SEE TAXI P/N 13887649 FOR SIMILAR TERMINALS WITH DIFFERENT CONNECTOR CAVITY INDEX.
- PARTS MEET THE PERFORMANCE REQUIREMENTS OF GMW3191 DEC 2007 AND SAE/USCAR-2 R5 REVISIONS FOR THE FOLLOWING CLASSIFICATIONS:  
TEMPERATURE CLASS 3 (-40°C TO +125°C)  
VIBRATION CLASS 1 (ON BODY OR CHASSIS)  
SEALING CLASS 1 (UNSEALED)
- MAXIMUM INSULATION CRIMP WIDTH 1.77mm AND HEIGHT 2.3mm FOR CABLE SIZE UP TO 1.9mm O.D.  
MAXIMUM CORE CRIMP WIDTH 1.67mm



TERMINAL, CABLE CRIMP ALIGNMENT & POSITION

| PART NUMBER | REV | N/P | MATERIAL DESCRIPTION | CONTACT AREA PLATING TYPE (SEE NOTE 7) | CRIMP AREA PLATING TYPE (SEE NOTE 7) | I.D. | CABLE SIZE (mm <sup>2</sup> ) | CABLE DIAMETER | B <sub>1</sub> ±0.15 | B <sub>2</sub> ±0.3 | (H <sub>1</sub> ) | (H <sub>2</sub> ) |
|-------------|-----|-----|----------------------|--|--------------------------------------|------|-------------------------------|----------------|----------------------|---------------------|-------------------|-------------------|
| 13767046    | 01  | AG  | COPPER ALLOY         | I                                      | I                                    | 18   | 0.75 - 0.8                    | 1.7 - 1.9      | 2.52                 | 2.88                | 2.68              | 3.31              |
| 13767047    | 01  | AG  | COPPER ALLOY         | I                                      | I                                    | 21   | 0.35 - 0.5                    | 1.2 - 1.83     | 2.04                 | 2.8                 | 2.06              | 3.17              |
| 13767048    | 01  | AH  | COPPER ALLOY         | I                                      | I                                    | 25   | 0.13 - 0.22                   | 0.81 - 1.2     | 1.54                 | 1.74                | 1.56              | 1.77              |

| DIMENSIONAL RANGE (MM)               |       | CHART D |
|--------------------------------------|-------|---------|
| FROM 0                               | TO 12 | > 12    |
| TOLERANCE UNLESS OTHERWISE SPECIFIED |       |         |
| ±0.1                                 |       | ±0.2    |
| ANGULAR TOLERANCE ±2°                |       |         |

LINE DRAWN THROUGH A PART NUMBER INDICATES THAT PHYSICAL PARTS ARE NOT AVAILABLE FOR ORDERING.

PART NUMBERS THAT DO NOT HAVE A LINE PRESENT INDICATE THAT PHYSICAL PARTS ARE AVAILABLE FOR ORDERING.

CONTACT DELPHI SALES TO ASSURE AVAILABILITY OF PARTS.

DWG TYPE: PART DRAWING

STYLE: D

VOLUME (CUP): D

DISTR CODE: D

UNLESS OTHERWISE SPECIFIED THIS DOCUMENT IS IN ACCORDANCE WITH ASME Y14.5M-1994 AS AMENDED BY THE GM GLOBAL DIMENSIONING AND TOLERANCING ADDENDUM-2001. SEPARATE PATTERNS OF FEATURES MAY BE GAGED SEPARATELY REGARDLESS OF DATUM REFERENCES.

ALL DIMENSIONS ARE IN MILLIMETERS

REFERENCE:

THIRD ANGLE PROJECTION

DO NOT SCALE

USE MATH DATA

NX

**DELPHI**  
DELPHI PACKARD ELECTRICAL/ELECTRONIC ARCHITECTURE  
WARREN, OH  
COPYRIGHT 2010 DELPHI CORPORATION AND/OR ITS AFFILIATES. ALL RIGHTS RESERVED.  
REVISED 2015

THIS DRAWING IS THE PROPERTY OF DELPHI CORPORATION AND CONTAINS DELPHI CONFIDENTIAL INFORMATION. THE REPRODUCTION, DISTRIBUTION AND UTILIZATION OF THIS DOCUMENT OR ITS RELATED CAD MATH DATA, AS WELL AS COMMUNICATION OF ANY CONTENT TO OTHERS, WITHOUT EXPRESS AUTHORIZATION, IS PROHIBITED.

|                     |         |
|---------------------|---------|
| DR                  | DATE    |
| APVD1 M McCALL      | 28JUN10 |
| APVD2 M McCALL      | 28JUN10 |
| APVD3 RAY J. BLASKO | 28JUN10 |
| APVD4               |         |
| APVD5               |         |

SUBSTANCES OF CONCERN AND RECYCLED CONTENT PER DELPHI 10949001

MATERIAL SEE CHART

DRAWING NAME: TAXI TERM F OCS 0.64 IUR SN

DRAWING NUMBER: 13767042

|      |       |          |          |     |     |     |
|------|-------|----------|----------|-----|-----|-----|
| SIZE | SCALE | FRAME NO | SHEET NO | STG | REV | N/P |
| A1   | 10:1  | 1 OF 1   | 1 OF 2   | R   | 09  | -   |

## X-ON Electronics

Largest Supplier of Electrical and Electronic Components

*Click to view similar products for [Automotive Connectors](#) category:*

*Click to view products by [Delphi](#) manufacturer:*

Other Similar products are found below :

[003-018-000](#) [600858](#) [60403001](#) [60993906-B](#) [60993913-B](#) [629515004020001](#) [M902-2131](#) [M902-2161](#) [M902-2344](#) [72.330.1035.1](#)  
[73.353.4028.0](#) [F118010](#) [F119300-B](#) [F132210](#) [F132210-B](#) [F166900](#) [F180100](#) [F258300](#) [F258300-B](#) [F294300-B](#) [F339100](#) [F339700](#) [F358300-](#)  
[B](#) [F374110](#) [F407400](#) [F412210](#) [F427600](#) [F444110](#) [F487000](#) [F495100-B](#) [F500900-B](#) [F509500B-B](#) [770444-1](#) [776880-1](#) [827153-1](#) [881735-1](#)  
[8N1515-32-24P](#) [9-1326727-8](#) [9-1326729-8](#) [925467-1](#) [925474-1](#) [928905-1](#) [936398-2](#) [964562-1](#) [964562-4](#) [964731-2](#) [965051-1](#) [968782-1](#)  
[GT17SA-8DS-HU](#) [GT17VS-10DP-5.2CF](#)