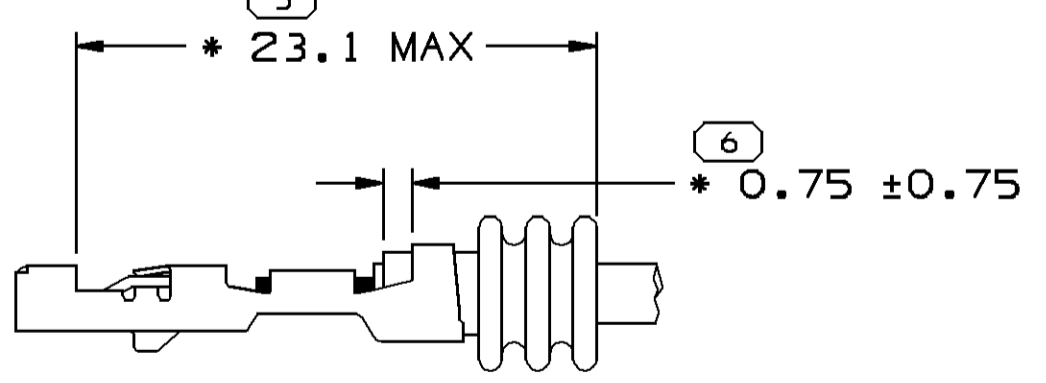
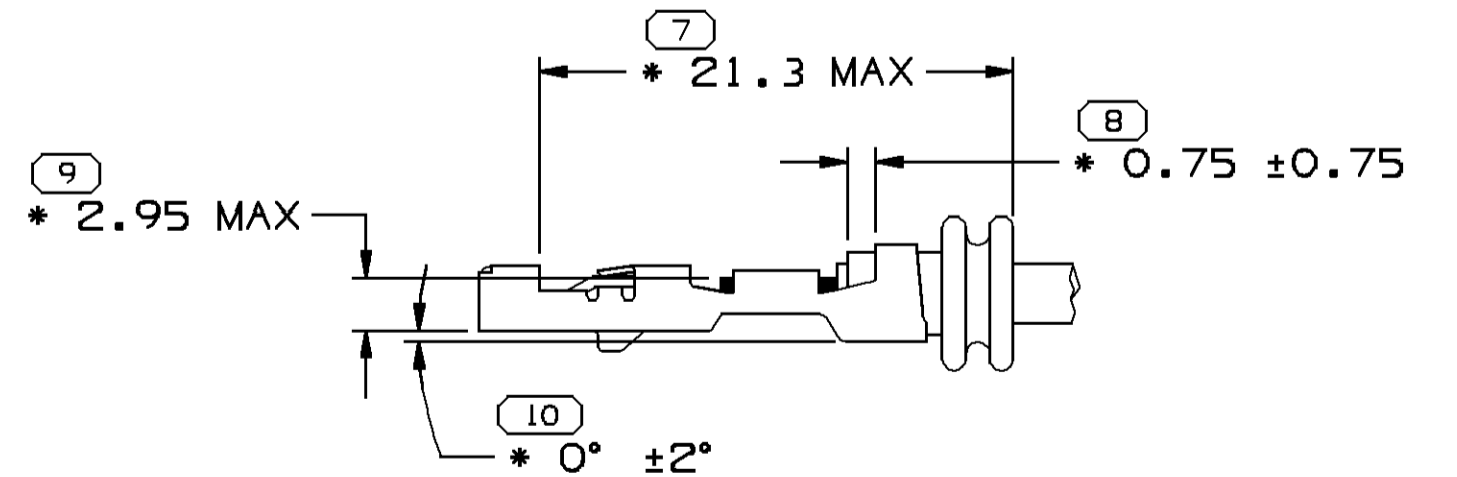
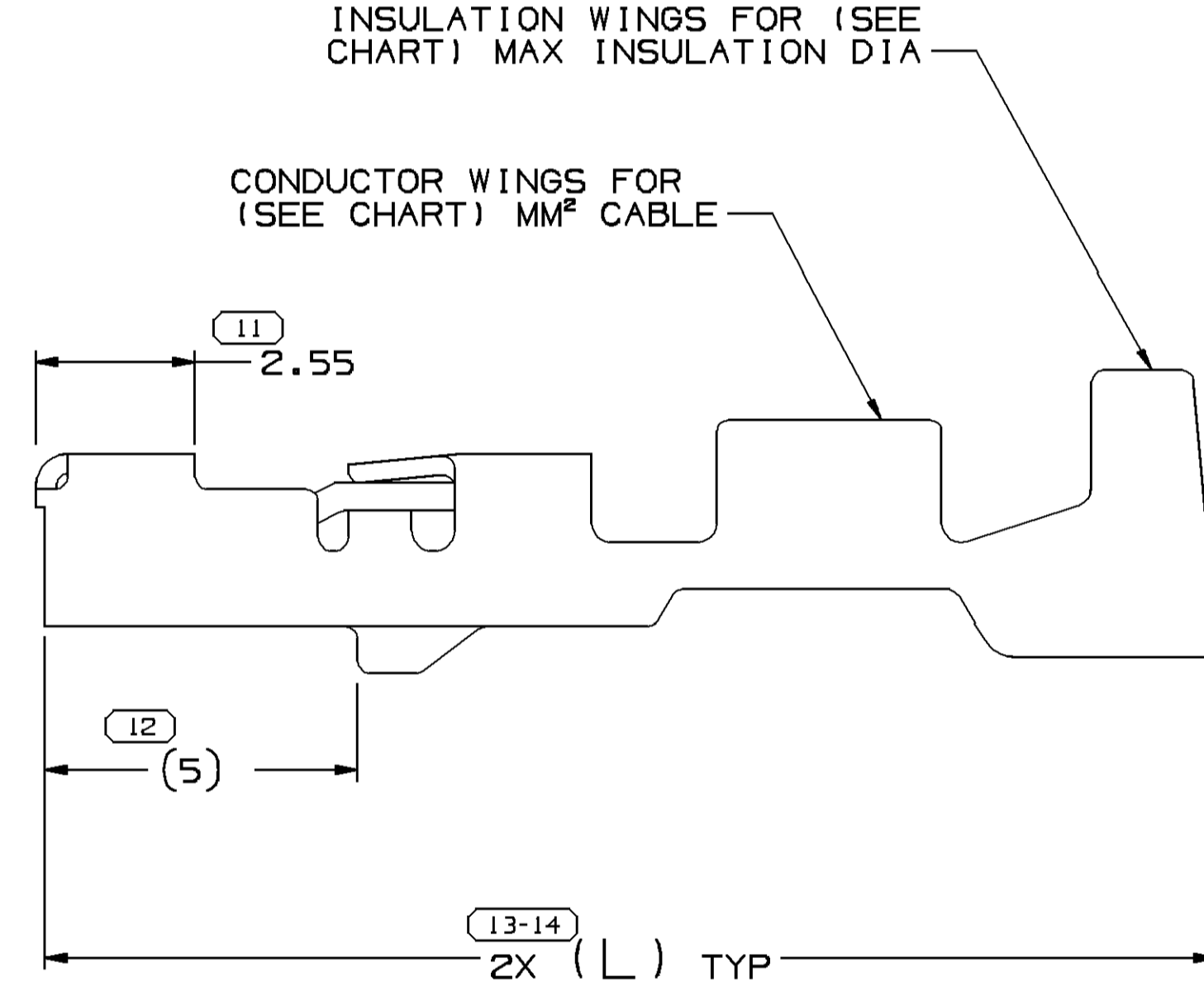
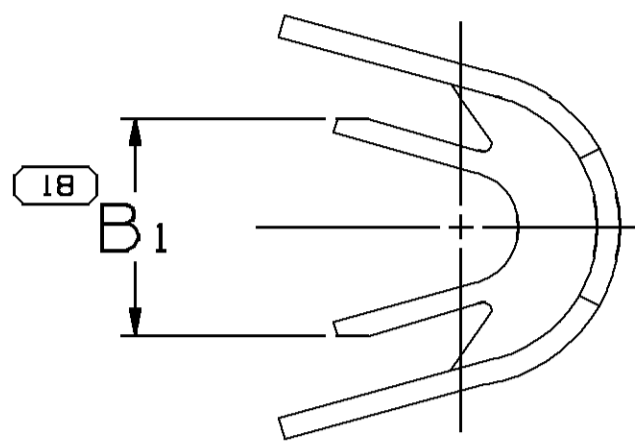
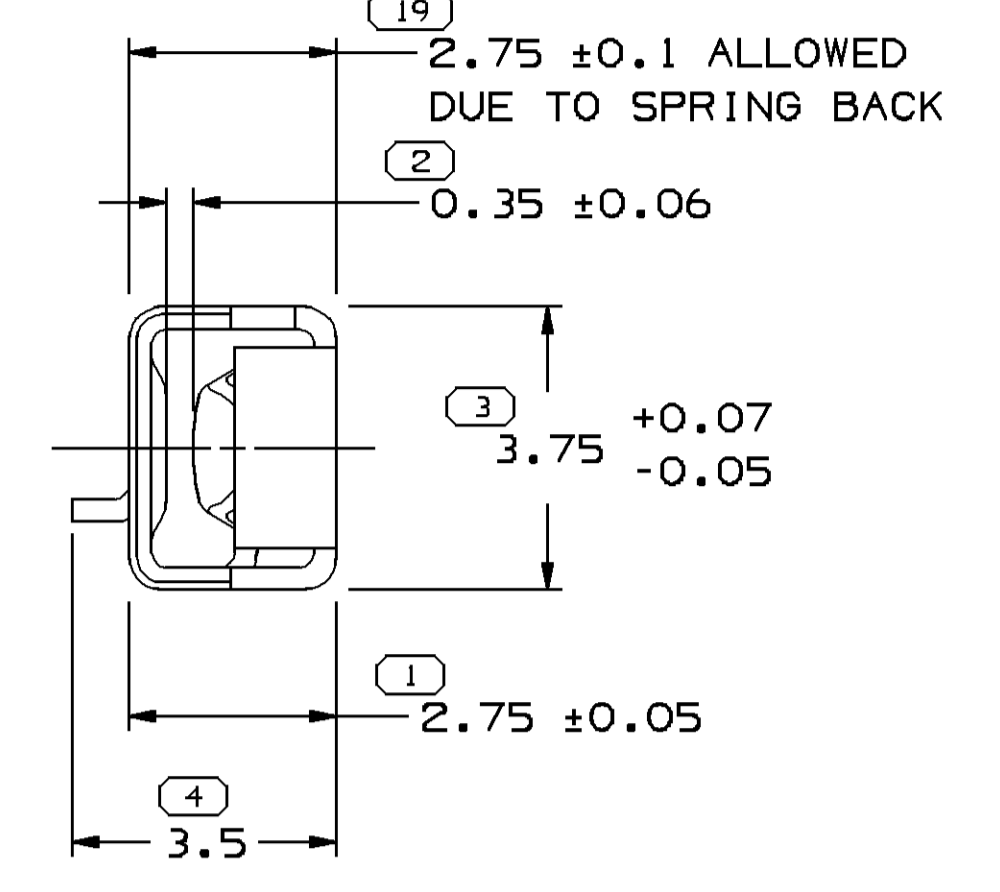
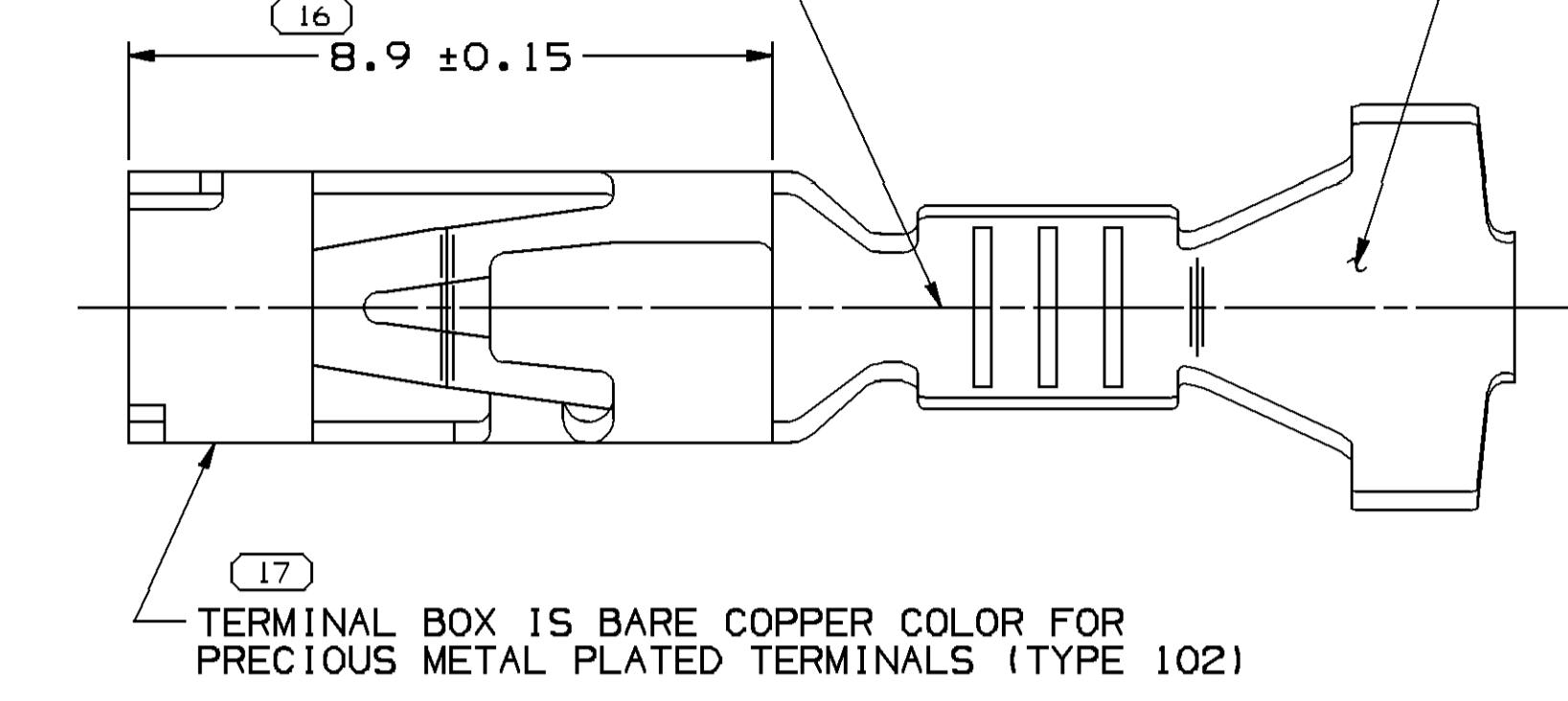


SYMBOL DEFINITION				MISSING NUMBERS		DWG STATUS			ZONE		REVISION HISTORY		AUTH		DR	AP/D	AP/D
DATE	STO	REV	N/P	CHR													
30JUL02	R	07	-	-								CLEARED REV COL & ALL PARTS - UPDATED PDM ATTRIBUTES	226419	JHN	FRG	TTP	
30JAN03	R	08	-	-								ALL PARTS - UPDATED PDM ATTRIBUTES	235188	CJP	CJP	CSD	
05FEB03	R	09	-	-								REVISED NOTE SYMBOL 345 IN TOD	236543	LMB	LMB	SCH	
16JUL03	R	10	-	-								15392777: CORRECTED PLATING TYPE TO 102	243460	JMR	JMR	JMN	
22JUL03	R	11	-	-								ADDED DIM 2.75±0.1 FOR SPRING BACK	243779	RH	RH	SCH	
14APR04	R	12	-	-								15491972 - RELEASED	253968	TLD	TLD	MP	
24SEP04	R	13	-	-								ALL PARTS ADDED STAMP DIE I.D.	259075	MDH	AUG	MKM	
09MAY05	R	14	-	-								13528779 - RELEASED	267849	JTV	FKV	LJM	
16MAY05	R	15	-	-								13528779 - MAT'L SPEC WAS M-3669	268220	JOA	JVM	LJM	
30MAY05	R	16	-	-								15326004 - MATERIAL SPEC WAS M-3669	268590	BLG	JMV	LJM	
15AUG05	R	17	-	-								15326004 - UPDATED PDM ATTRIBUTES	271195	JBD	FRG	MJC	
30MAY06	R	18	-	-								15366684, 15392777, 15401195 & 15491972 - UPDATED PDM ATTRIBUTES	281105	TLD	TLD	MJC	

STAMP DIE I.D. "PXX" IN THIS AREA (0.6) CHARACTERS XX DESIGNATES DIE NUMBER, LOCATION IS APPROXIMATE.

STAMP CABLE I.D. (SEE CHART) ON UNDERSIDE IN THIS AREA WITH 0.8 MIN HIGH NUMBERS



2 RIB SEAL POSITION REF AND TERMINAL & CABLE ALIGNMENT SCALE 5:1

3 RIB SEAL POSITION REF SCALE 5:1

NOTES

- UNLESS OTHERWISE SPECIFIED AND/OR INDICATED: DIMENSIONS ARE TO FACE OF VIEW SHOWN AND AUTOMATICALLY ROUNDED BY COMPUTER FOR INSPECTION (SEE MATH MODEL FOR PRECISE DIMENSIONS). FOR ALL OTHER DIMENSIONS NOT SHOWN BUT REQUIRED FOR TOOL BUILD, SEE MATH MODEL FOR PRECISE TOOL PATH DATA.
- FOR PRECIOUS METAL PLATED TERMINALS (TYPE 102), MATING TERMINAL MUST HAVE A PRECIOUS METAL (GOLD TO GOLD) CONTACT INTERFACE.
- "*" DENOTES DIMENSIONS MADE AT CUT-OFF AND CRIMP DIE.
- DO NOT PROBE, TEST OR OTHERWISE CONTACT THE INTERIOR REGION (THE SPRING OR ANY MOVING PART) OF THIS TERMINAL. SEVERE DAMAGE CAN OCCUR, COMPROMISING THE PERFORMANCE OF THE ELECTRICAL INTERFACE.

PART NO	REV	N/P	STATUS	MAT'L SIZE	PLATED	MATERIAL SPEC	SIZE	MM ²	I.D.	CABLE DIA	TYPE	B ₁ ± 0.2 (L)	TYPICAL CABLE SEAL	TYPICAL SEALING CAVITY CONFIG
13528779	01	AA	-	0.3 X 27.38		M3669A23 C17410 1/2 HD	2 - 3	13	3.2 - 2.5	102	3.75	18.9	15366067 OR EQUIVALENT	5.8 DIA ROUND
15491972	01	AB	-	0.3 X 27.38		M3666CN7 17410 BECU 1/2 HT AU CLD SN STR	0.75-1	17	2.25-1.7	102	2.65	18.9	15366066 OR EQUIVALENT	5.8 DIA ROUND
15392777	01	AH	-	0.3 X 27.38		M3666CN7 (C17410 ALLOY W/DGR INLAY)	4 - 5	10	3.9 - 3.4	102	4.8	18.9	12191235 OR EQUIVALENT	5.8 DIA ROUND
15401195	01	AH	-	0.3 X 27.38		M3666CN7 17410 BECU 1/2 HT AU CLD SN STR	0.35-0.5	21	1.85-1.2	102	2.1	18.9	15366065 OR EQUIVALENT	5.8 DIA ROUND
15366684	01	AK	-	0.3 X 27.38		M3666CN7 17410 BECU 1/2 HT AU CLD SN STR	2 - 3	13	3.2 - 2.5	102	3.75	18.9	15366067 OR EQUIVALENT	5.8 DIA ROUND
15326004	D9	-	-	0.3 X 27.38		M3669A23 C17410 1/2 HD	4 - 5	10	3.9 - 3.4	101	4.8	18.9	12191235 OR EQUIVALENT	5.8 DIA ROUND

DELPHI
DELPHI PACKARD ELECTRIC SYSTEMS
WARREN, OH

DR	DATE
AP/D1 H. CASTRILLON	11MR97
AP/D2 R. RAMOS S.	11MR97
AP/D3 B. EDWARDS	11MR97
AP/D4	
AP/D5	

SUBSTANCES OF CONCERN AND RECYCLED CONTENT PER DELPHI 10949001

DRAWING NAME: TAXI TERM F GT 280 SEALED

DRAWING NUMBER: **15304714**

SIZE	SCALE	FRAME NO	SHEET NO	STG	REV	N/P
A0	10:1	1	2	R	18	-

(3) PROCESS SENSITIVE DIMENSION

DIMENSIONS ENCLOSED IN () INDICATE REFERENCE DIMENSIONS AND NO TOLERANCE LIMITS ARE ESTABLISHED

DIMENSIONAL RANGE (MM)	CHART ID
FROM 0 TO 12	>12

TOLERANCE UNLESS OTHERWISE SPECIFIED
±0.1 ±0.2 ±0.5

ANGULAR TOLERANCE 22°

THIRD ANGLE PROJECTION

DO NOT SCALE USE MATH DATA

UNIGRAPHICS

X-ON Electronics

Largest Supplier of Electrical and Electronic Components

Click to view similar products for [Automotive Connectors](#) category:

Click to view products by [Delphi](#) manufacturer:

Other Similar products are found below :

[003-018-000](#) [600858](#) [60403001](#) [60993906-B](#) [60993913-B](#) [629515004020001](#) [M902-2131](#) [M902-2161](#) [M902-2344](#) [72.330.1035.1](#)
[73.353.4028.0](#) [F118010](#) [F119300-B](#) [F132210](#) [F132210-B](#) [F166900](#) [F180100](#) [F258300](#) [F258300-B](#) [F294300-B](#) [F339100](#) [F339700](#) [F358300-](#)
[B](#) [F374110](#) [F407400](#) [F412210](#) [F427600](#) [F444110](#) [F487000](#) [F495100-B](#) [F500900-B](#) [F509500B-B](#) [770444-1](#) [776880-1](#) [827153-1](#) [881735-1](#)
[8N1515-32-24P](#) [9-1326727-8](#) [9-1326729-8](#) [925467-1](#) [925474-1](#) [928905-1](#) [936398-2](#) [964562-1](#) [964562-4](#) [964731-2](#) [965051-1](#) [968782-1](#)
[GT17SA-8DS-HU](#) [GT17VS-10DP-5.2CF](#)