



# LAMP SOCKETS

Lamp Sockets are a comprehensive and diverse product line featuring sophisticated connection systems technology. Available connection systems accommodate virtually every size and type of light bulb, as well as all varieties of bulb mounting features.



Seal



Wedge Base

Insert

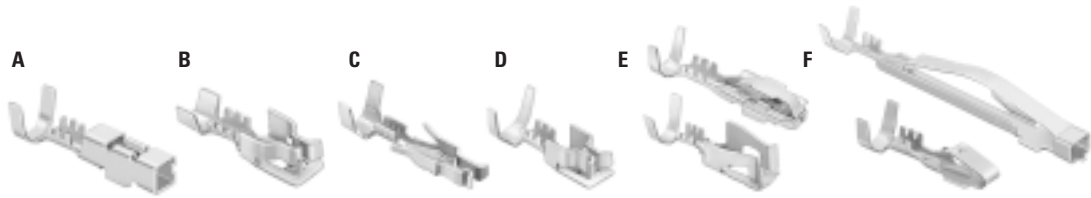
### LAMP SOCKET APPLICATION GUIDELINES

Primary Use	Application	Socket Style	Bulb Base Type	Bulb Size	Typical Lamp Number	Part Number(s)	Page Number	Description
Stop, Turn, Backup and Cornering Lights	Sealed	Right Angle	W-3 Wedge	S-8	3156	12160393	200	Single Filament
Stop/Tail, Park/Turn, Backup Lights and Cornering Lights	Sealed	Right Angle	W-3 Wedge	S-8	3057	12160394, 12160395	200	Dual Filament
Stop/Tail, Park/Turn, Backup Lights and Cornering Lights	Sealed	Axial	W-3 Wedge	S-8	3057	12191243, 12092379	201	Dual Filament
Glove Box, Ash Tray Instrument Illumination and Courtesy Lights	Unsealed	Axial	W-2 Wedge	T-3 1/4	194	12162223, 12059952	202	Single Filament
Side Marker Lamps, Backup and Center High Mounted Stop Lights	Sealed	Axial	W-2 Wedge	T-3 1/4	168	15317651, 12110053	203	Single Filament
	Sealed	Axial	W-2 Wedge	T5	912	12110053		
Side Marker Lamps, Backup and Center High Mounted Stop Lights	Sealed	Right Angle	W-2 Wedge	T-3 1/4	168	12146418	203	Single Filament
Stop, Turn, Backup and Cornering Lights	Sealed	Right Angle	B-1 Bayonet	S-8	1156	12160386	204	Single Filament
Stop/Tail, Park/Turn, Backup Lights and Cornering Lights	Sealed	Right Angle	C-2 Bayonet	S-8	2057	12160390, 12160392	204	Dual Filament

### LAMP SOCKET BASES

Part Number	Application	Description	Color	Material	TPA	Insert	Seal
12160393	Sealed	W-3 Right Angle Wedge Base	Lt. Gray	PA66 HS IM	-	12177161	12129909
12160394	Sealed	W-3 Right Angle Wedge Base	Natural	PA66 HS IM	-	12177163	12129909
12160395	Sealed	W-3 Right Angle Wedge Base	Md. Gray	PA66 HS IM	-	12177163	12129909
12191243	Sealed	W-3 Axial Wedge Base	Dk. Gray	PA66 HS IM 14% GF	15305473	-	12129909 12020720
12092379	Sealed	W-3 Axial Wedge Base	Natural	PA66 MF HS	15305473	-	12129909 12020720
12162223	Unsealed	W-2 Axial Wedge Base	Clear	PC	12052490	-	-
12059952	Unsealed	W-2 Axial Wedge Base	Black	PA6	15324722	-	-
12110053	Sealed	W-2 Axial Wedge Base	Lt. Gray	PA66 HS 33% GF	12110054	-	-
15317651	Sealed	W-2 Axial Wedge Base	Lt. Gray	PA66 HS 33% GF	12191522	-	15317652
12146418	Sealed	W-2 Right Angle Wedge Base	Lt. Gray	PA66 HS IM	-	12146419	12146398
12160386	Sealed	B-1 Right Angle Bayonet Base	Lt. Gray	PA66 HS IM	12129057	-	12129909
12160390	Sealed	C-2 Right Angle Bayonet Base	Natural	PA66 HS IM	12129051	-	12129909
12160392	Sealed	C-2 Right Angle Bayonet Base	Md. Gray	PA66 HS IM	12129051	-	12129909

<http://delphi.com/products/connect>



### LAMP SOCKET TERMINALS

Series	Type	Application	Cable Seal Series	Terminal Part #	Cable Range	Material	Plating
<b>A</b>							
W-2, W-3 Right Angle	-	Sealed	280	12066639	2.0-1.0	Tin Brass	Tin
W-2, W-3 Right Angle	-	Sealed	280	12066638	0.80-0.50	Tin Brass	Tin
W-2, W-3 Right Angle	-	Sealed	280	12186320	0.35	Tin Brass	Tin
<b>B</b>							
W-2 Axial	-	Unsealed	-	12089139	0.80-0.50	Brass	Copper/Tin
W-2 Axial	-	Unsealed	-	12089137	1.0 (2 Req'd.) 0.80 (2 Req'd.)	Brass	Copper/Tin
<b>C</b>							
W-2 Axial	-	Sealed	280	12176852	0.80	Brass	Tin
W-2 Axial	-	Sealed	280	12176853	0.50-0.35	Brass	Tin
<b>D</b>							
W-2 Axial	-	Sealed	480	12124471	1.0-0.80	Brass	Copper/Tin
W-2 Axial	-	Sealed	480	12124598	0.50	Brass	Copper/Tin
<b>E</b>							
W-3 Axial	Contact	Sealed	280	12092058	0.80-0.50	Tin Brass	Tin
W-3 Axial	Contact	Sealed	280	12088187	0.50-0.35	Tin Brass	Tin
W-3 Axial	Ground	Sealed	630	12092030	0.80-0.50	Tin Brass	Tin
<b>F</b>							
B-1, C-2	Contact	Sealed	280	12129052	1.0-0.80	Stainless Steel	Tin
B-1, C-2	Contact	Sealed	280	15304622	0.50-0.35	Stainless Steel	Tin
B-1, C-2	Ground	Sealed	280	12129053	1.0-0.80	Tin Brass	Tin
B-1, C-2	Ground	Sealed	280	15304621	0.50-0.35	Tin Brass	Tin



### METRI-PACK CABLE SEAL CHART

Series	Reel Part #	Loose Part #	Cable Diameter	Material	Color
280	12015284	12015323	2.85-2.03	Silicone	Green
280	12034365	12015899	1.70-1.29	Silicone	Dk. Red
280	12041352	12041351	2.42-2.03	Silicone	Tan
280	12089444	12089679	2.15-1.60	Silicone	Purple
480	12048433	12048441	2.85-2.01	Silicone	White
480	12052931	12052930	2.15-1.60	Silicone	Yellow
630	12077760	12077759	2.15-1.65	Silicone	Tan

#### SECTION NOTES:

- Contact your regional support representative at the number listed below.
- When an unsealed application is required use 12020720 gasket in place of seal 12129909.



**A PART NO: 12160393 (Lt. Gray)**  
**15326290 (Lt. Green)**  
**15326291\* (Natural)**  
 DESCRIPTION: W-3 Right Angle Wedge Base  
 SIZE: 26.7 Hole Dia. x 31.9L x 51.7H x 40.0W  
 MATERIAL: PA66 HS IM  
 TERMINALS: See A, Page 229  
 SEALS: 280 Metri-Pack Cable Seals  
 TYPICAL LAMP: #3156  
 \*NOTE: Focal Length: 29.1mm.

**B PART NO: 12129909**  
 DESCRIPTION: Seal  
 COLOR: Black  
 MATERIAL: EPDM

**C PART NO: 12177161**  
 DESCRIPTION: Insert with Terminals  
 COLOR: Lt. Gray  
 MATERIAL: PA66 HS IM

**D PART NO: 12160394**  
 DESCRIPTION: W-3 Right Angle Wedge Base  
 SIZE: 26.7 Hole Dia. x 31.9L x 51.7H x 40.0W  
 COLOR: Natural  
 MATERIAL: PA66 HS IM  
 TERMINALS: See A, Page 229  
 SEALS: 280 Metri-Pack Cable Seals  
 TYPICAL LAMP: #3057

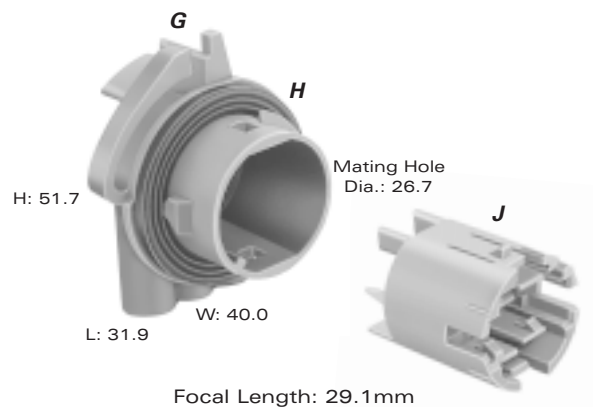
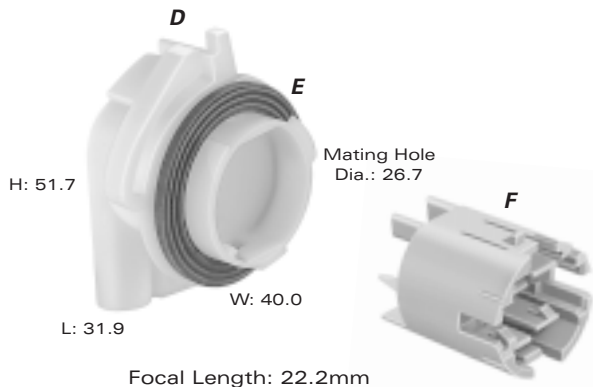
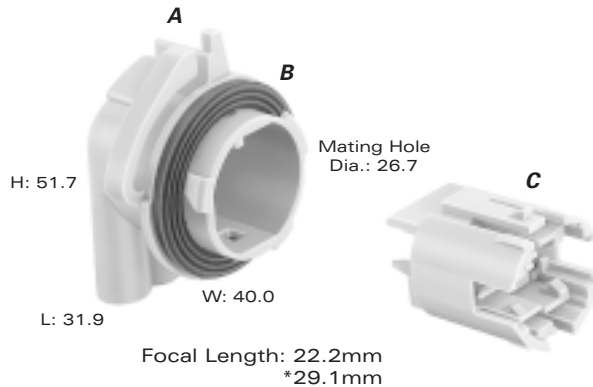
**E PART NO: 12129909**  
 DESCRIPTION: Seal  
 COLOR: Black  
 MATERIAL: EPDM

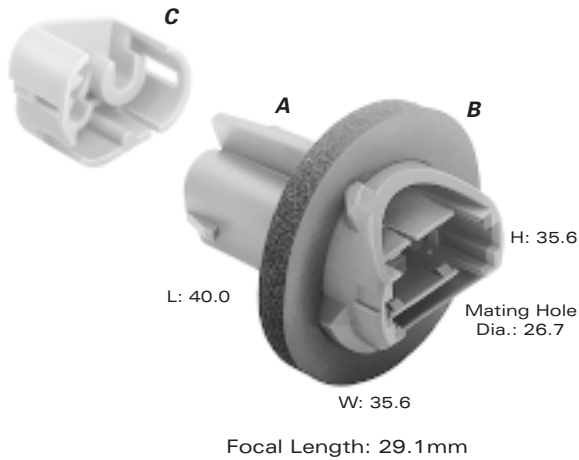
**F PART NO: 12177163**  
 DESCRIPTION: Insert with Terminals  
 COLOR: Beige  
 MATERIAL: PA66 HS IM

**G PART NO: 12160395**  
 DESCRIPTION: W-3 Right Angle Wedge Base  
 SIZE: 26.7 Hole Dia. x 31.9L x 51.7H x 40.0W  
 COLOR: Md. Gray  
 MATERIAL: PA66 HS IM  
 TERMINALS: See A, Page 229  
 SEALS: 280 Metri-Pack Cable Seals  
 TYPICAL LAMP: #3057

**H PART NO: 12129909**  
 DESCRIPTION: Seal  
 COLOR: Black  
 MATERIAL: EPDM

**J PART NO: 12177163**  
 DESCRIPTION: Insert  
 COLOR: Beige  
 MATERIAL: PA66 HS IM

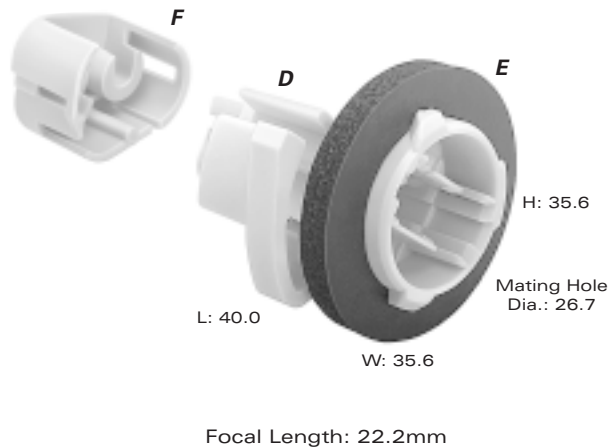




**A PART NO: 12191243**  
DESCRIPTION: W-3 Axial Wedge Base  
SIZE: 26.7 Hole Dia. x 40.0L x 35.6H x 35.6W  
COLOR: Dk. Gray  
MATERIAL: PA66 HS IM 14% GF  
TERMINALS: See E, Page 229 (2 Contacts, 1 Ground)  
SEALS: 280 and 630 Metri-Pack Cable Seals  
TYPICAL LAMP: #3057

**B PART NO: 12020720**  
DESCRIPTION: Gasket  
COLOR: Black  
MATERIAL: EPDM (Foam)

**C PART NO: 15305473**  
DESCRIPTION: TPA  
COLOR: Lt. Gray  
MATERIAL: PA6



**D PART NO: 12092379 (Natural)  
12186065 (Black)**  
DESCRIPTION: W-3 Axial Wedge Base  
SIZE: 26.7 Hole Dia. x 40.0L x 35.6H x 35.6W  
MATERIAL: PA66 MF HS  
TERMINALS: See E, Page 229 (2 Contacts, 1 Ground)  
SEALS: 280 and 630 Metri-Pack Cable Seals  
TYPICAL LAMP: #3057

**E PART NO: 12020720**  
DESCRIPTION: Gasket  
COLOR: Black  
MATERIAL: EPDM (Foam)

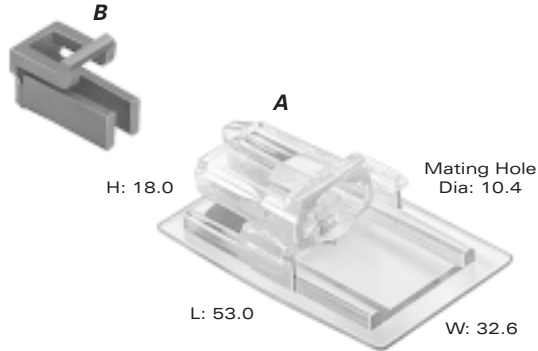
**F PART NO: 15305473**  
DESCRIPTION: TPA  
COLOR: Lt. Gray  
MATERIAL: PA6

### SECTION NOTES:

- Contact your regional support representative at the number listed below.
- When an unsealed application is required use 12020720 gasket in place of seal 12129909.

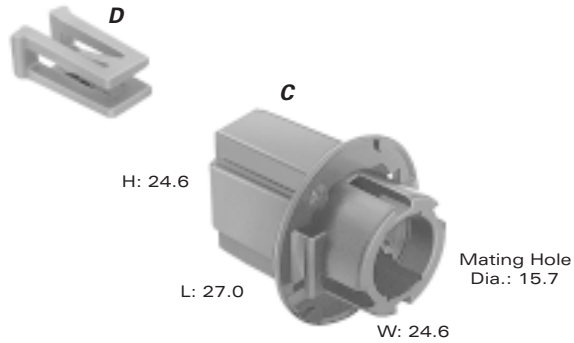


**A PART NO: 12162223 (Clear)  
12162222 (White)**  
DESCRIPTION: W-2 Axial Wedge Base  
SIZE: 10.4 Hole Dia. x 53.0L x 18.0H x 32.6W  
MATERIAL: PC  
TERMINALS: See B, Page 229  
TYPICAL LAMP: #194

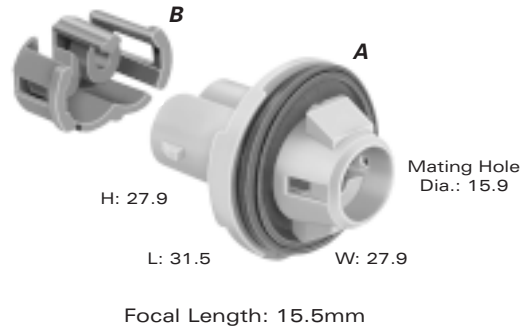


**B PART NO: 12052490**  
DESCRIPTION: TPA  
COLOR: Black  
MATERIAL: PA6

**C PART NO: 12059952**  
DESCRIPTION: W-2 Axial Wedge Base  
SIZE: 15.7 Hole Dia. x 27.0L x 24.6H x 24.6W  
COLOR: Black  
MATERIAL: PA6  
TERMINALS: See B, Page 229  
TYPICAL LAMP: #194

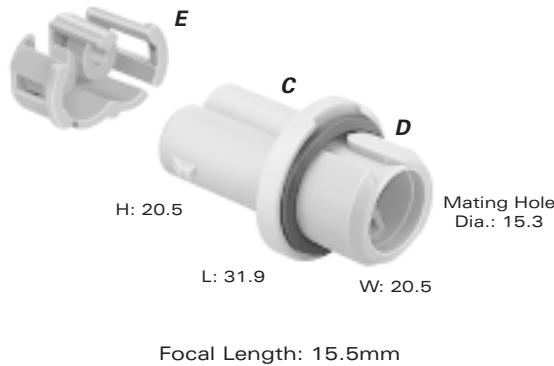


**D PART NO: 15324722**  
DESCRIPTION: TPA  
COLOR: Red  
MATERIAL: PBT HS IM



**A PART NO: 12110053**  
 DESCRIPTION: W-2 Axial Wedge Base  
 SIZE: 15.9 Hole Dia. x 31.5L x 27.9H x 27.9W  
 COLOR: Lt. Gray  
 MATERIAL: PA66 HS 33% GF  
 TERMINALS: See D, Page 229  
 SEALS: 480 Metri-Pack Cable Seals  
 TYPICAL LAMP: #168 or #912

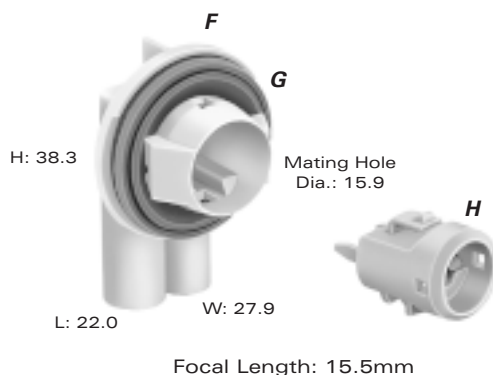
**B PART NO: 12110054**  
 DESCRIPTION: TPA  
 COLOR: Black  
 MATERIAL: PA66 HS IM



**C PART NO: 15317651**  
 DESCRIPTION: W-2 Axial Wedge Base  
 SIZE: 15.3 Hole Dia. x 31.9L x 20.5H x 20.5W  
 COLOR: Lt. Gray  
 MATERIAL: PA66 HS 33% GF  
 TERMINALS: See C, Page 229  
 SEALS: 280 Metri-Pack Cable Seals  
 TYPICAL LAMP: #194

**D PART NO: 15317652**  
 DESCRIPTION: O-Ring  
 COLOR: Black  
 MATERIAL: EPDM

**E PART NO: 12191522**  
 DESCRIPTION: TPA  
 COLOR: Blue  
 MATERIAL: PA66 HS IM



**F PART NO: 12146418**  
 DESCRIPTION: W-2 Right Angle Wedge Base  
 SIZE: 15.9 Hole Dia. x 22.0L x 38.3H x 27.9W  
 COLOR: Lt. Gray  
 MATERIAL: PA66 HS IM  
 TERMINALS: See A, Page 229  
 SEALS: 280 Metri-Pack Cable Seals  
 TYPICAL LAMP: #168

**G PART NO: 12146398**  
 DESCRIPTION: Seal  
 COLOR: Black  
 MATERIAL: Santoprene

**H PART NO: 12146419**  
 DESCRIPTION: Insert  
 COLOR: Lt. Gray  
 MATERIAL: PA66



**A PART NO: 12160386**  
 DESCRIPTION: B-1 Right Angle Bayonet Base  
 SIZE: 26.8 Hole Dia. x 27.2L x 62.6H x 41.1W  
 COLOR: Lt. Gray  
 MATERIAL: PA66 HS IM  
 TERMINALS: See F, Page 229 (1 Contact, 1 Ground)  
 SEALS: 280 Metri-Pack Cable Seals  
 TYPICAL LAMP: #1156

**B PART NO: 12129909**  
 DESCRIPTION: Seal  
 COLOR: Black  
 MATERIAL: EPDM

**C PART NO: 12129057**  
 DESCRIPTION: TPA  
 COLOR: Blue  
 MATERIAL: PA6

**D PART NO: 12160390**  
 DESCRIPTION: C-2 Right Angle Bayonet Base  
 SIZE: 26.8 Hole Dia. x 27.2L x 62.6H x 41.1W  
 COLOR: Natural  
 MATERIAL: PA66 HS IM  
 TERMINALS: See F, Page 229 (2 Contacts, 1 Ground)  
 SEALS: 280 Metri-Pack Cable Seals  
 TYPICAL LAMP: #2057

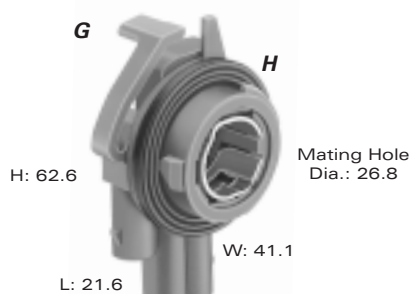
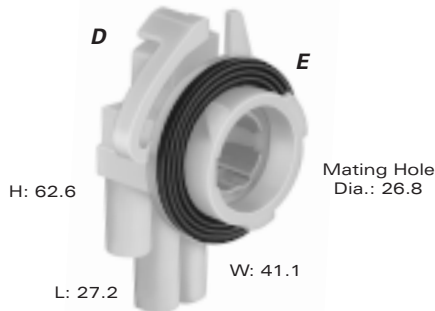
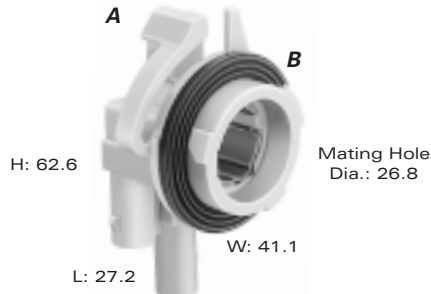
**E PART NO: 12129909**  
 DESCRIPTION: Seal  
 COLOR: Black  
 MATERIAL: EPDM

**F PART NO: 12129051**  
 DESCRIPTION: TPA  
 COLOR: Blue  
 MATERIAL: PA6

**G PART NO: 12160392**  
 DESCRIPTION: C-2 Right Angle Bayonet Base  
 SIZE: 26.8 Hole Dia. x 21.6L x 62.6H x 41.1W  
 COLOR: Md. Gray  
 MATERIAL: PA66 HS IM  
 TERMINALS: See F, Page 229 (2 Contacts, 1 Ground)  
 SEALS: 280 Metri-Pack Cable Seals  
 TYPICAL LAMP: #2057

**H PART NO: 12129909**  
 DESCRIPTION: Seal  
 COLOR: Black  
 MATERIAL: EPDM

**J PART NO: 12129051**  
 DESCRIPTION: TPA  
 COLOR: Blue  
 MATERIAL: PA6



## X-ON Electronics

Largest Supplier of Electrical and Electronic Components

*Click to view similar products for [Automotive Connectors](#) category:*

*Click to view products by [Delphi](#) manufacturer:*

Other Similar products are found below :

[003-018-000](#) [600858](#) [60403001](#) [60993906-B](#) [60993913-B](#) [629515004020001](#) [M902-2131](#) [M902-2161](#) [M902-2344](#) [72.330.1035.1](#)  
[73.353.4028.0](#) [F118010](#) [F119300-B](#) [F132210](#) [F132210-B](#) [F166900](#) [F180100](#) [F258300](#) [F258300-B](#) [F294300-B](#) [F339100](#) [F339700](#) [F358300-](#)  
[B](#) [F374110](#) [F407400](#) [F412210](#) [F427600](#) [F444110](#) [F487000](#) [F495100-B](#) [F500900-B](#) [F509500B-B](#) [770444-1](#) [776880-1](#) [827153-1](#) [881735-1](#)  
[8N1515-32-24P](#) [9-1326727-8](#) [9-1326729-8](#) [925467-1](#) [925474-1](#) [928905-1](#) [936398-2](#) [964562-1](#) [964562-4](#) [964731-2](#) [965051-1](#) [968782-1](#)  
[GT17SA-8DS-HU](#) [GT17VS-10DP-5.2CF](#)