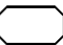
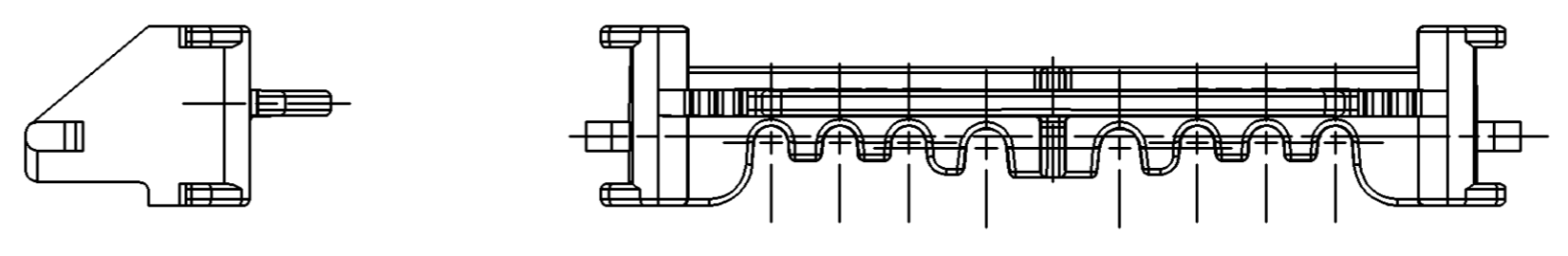
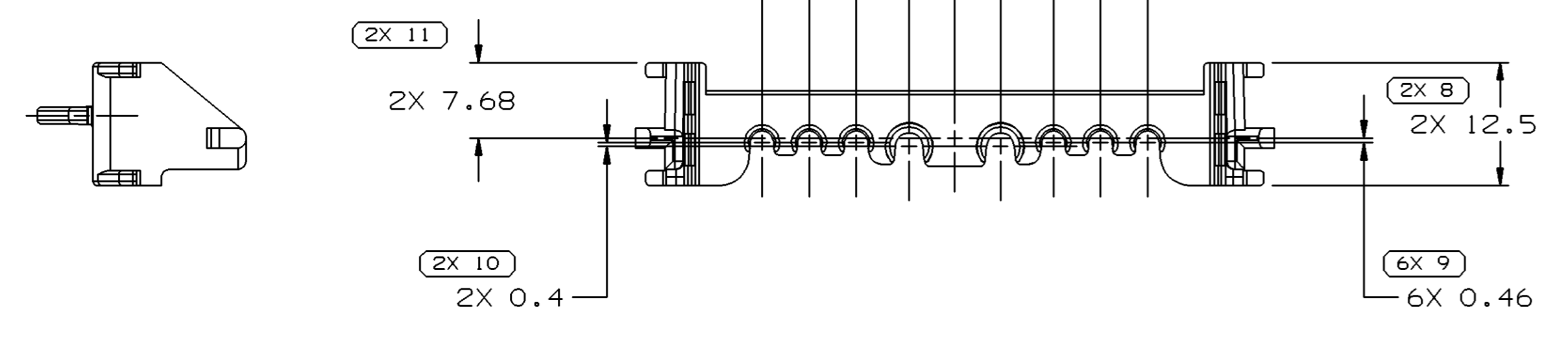
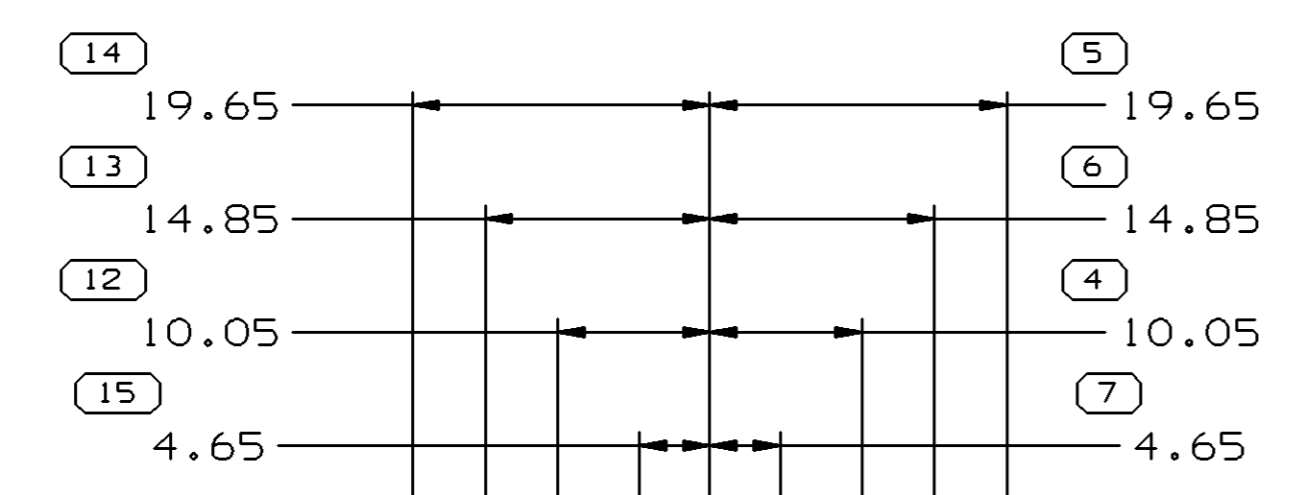
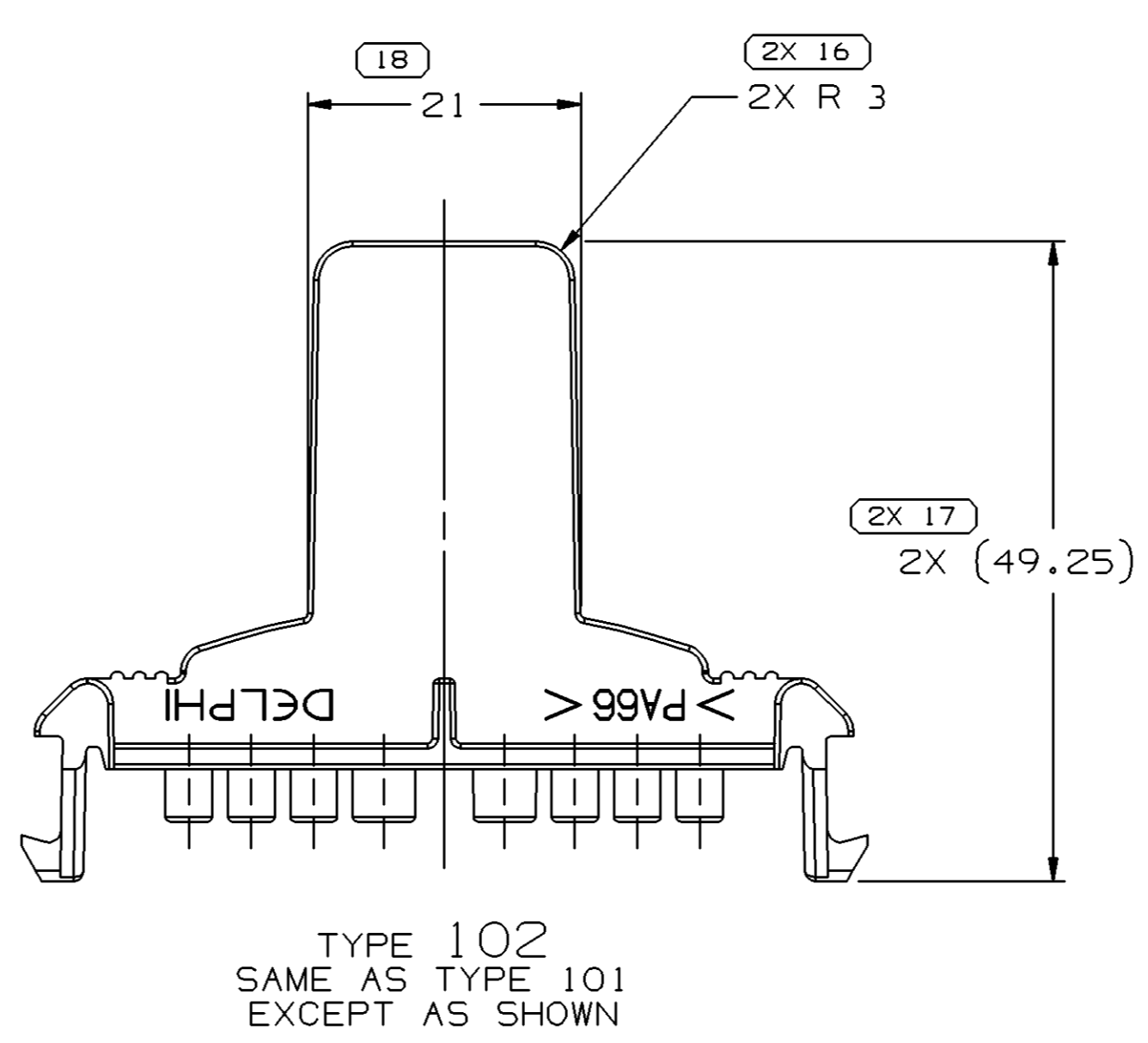
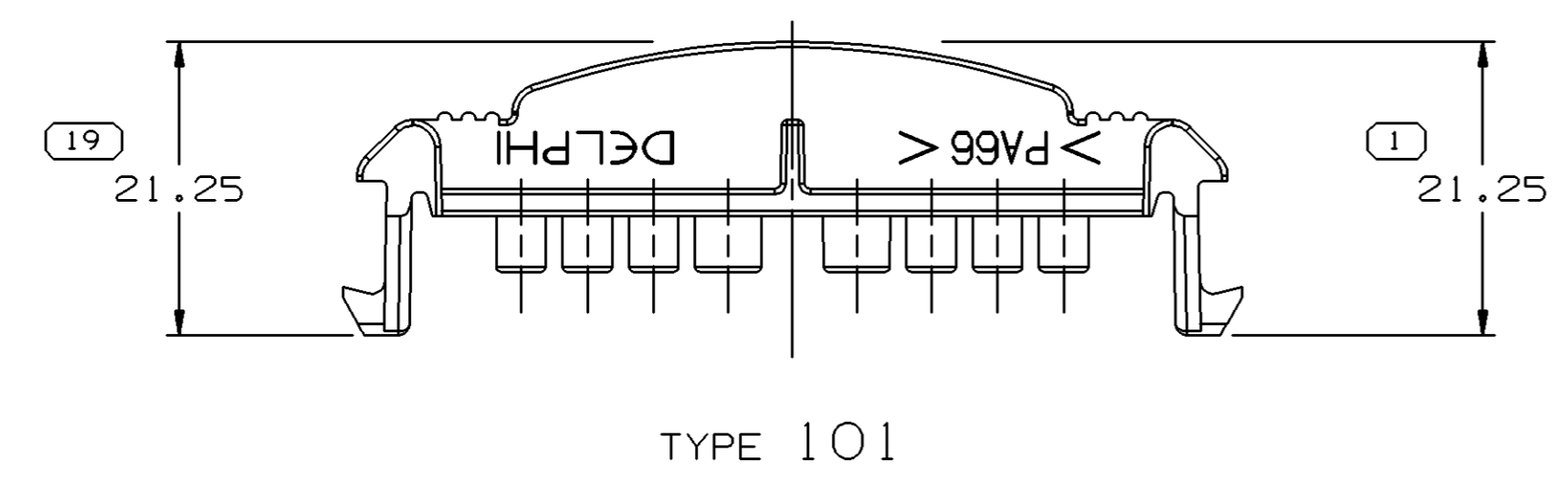


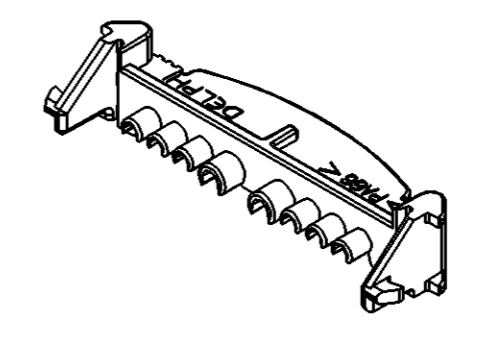
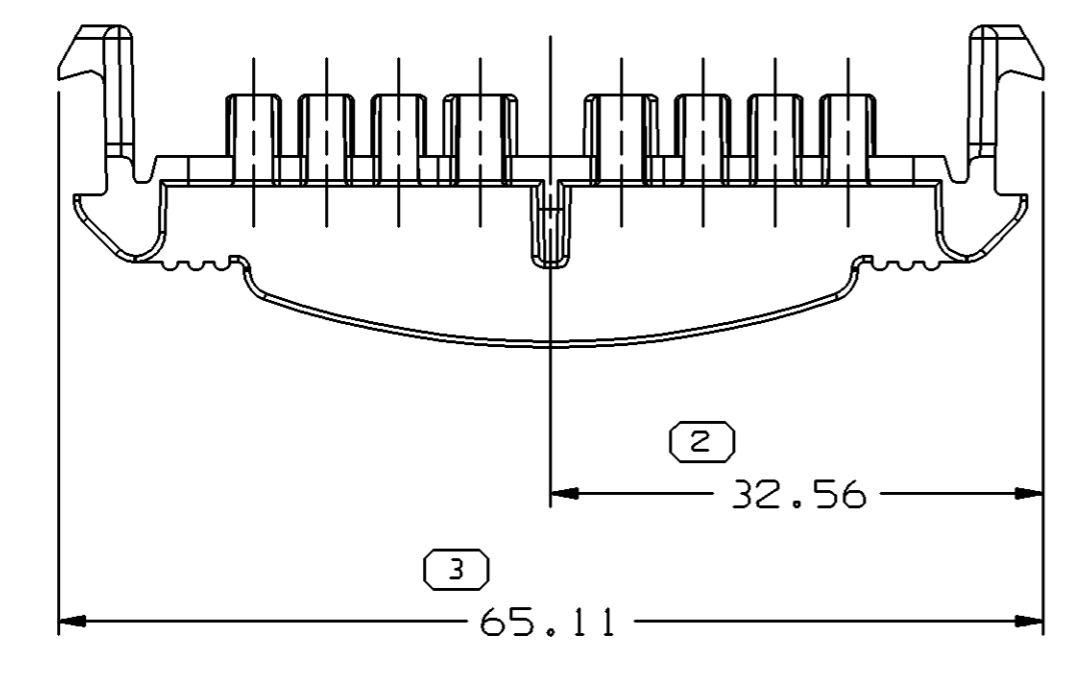
SYMBOL DEFINITION	
A DIMENSION WITHOUT AN INSPECTION REPORT SYMBOL  DOES NOT REQUIRE INSPECTION. IT MAY BE CONTROLLED ON THE INDIVIDUAL COMPONENT DRAWING.	TOTAL NO OF INSPECTIONS REQUIRED
	29
	LAST NO. USED
	19

MISSING SYMBOLS		DWG STATUS					ZONE	REVISION HISTORY	AUTH	DR	APVD1	APVD2
NO MISSING SYMBOL NUMBER		DATE	STG	REV	N/P	CHG						
		28MR01	R	001	-	-	15355358 WAS SEPERATE DRAWING, 15410208 RELEASED	208292	CJC	CJC	CAM	
		300C01	R	002	-	-	ALL PARTS - MATERIAL WAS R0071790 PA66 HS IM BLU	216588	CJC	CJC	CAM	
		29N001	R	003	-	-	UPDATED TOLERANCES	217960	CJC	CJC	CAM	
		17SE03	R	04	-	-	ALL PARTS - REVISED NOTES AND MAT'L SPEC WAS R0071784	246025	TLD	TLD	MP	

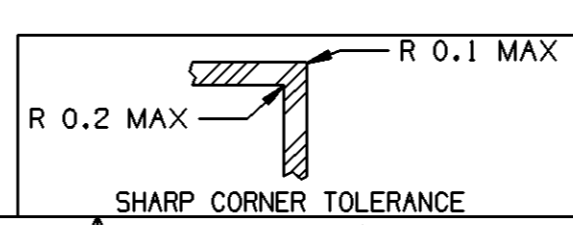


NOTES

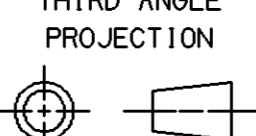
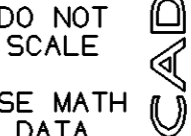

- UNLESS OTHERWISE SPECIFIED AND/OR INDICATED: DIMENSIONS ARE TO FACE OF VIEW SHOWN AND AUTOMATICALLY ROUNDED BY COMPUTER FOR INSPECTION (SEE MATH MODEL FOR PRECISE DIMENSIONS). FOR ALL OTHER DIMENSIONS NOT SHOWN BUT REQUIRED FOR TOOL BUILD, SEE MATH MODEL FOR PRECISE TOOL PATH DATA.
- MATERIAL RECYCLING CODE PER ISO 11469. (2.3)X(0.1) RAISED CHARACTERS AS SHOWN TO BE LOCATED ON ANY EXTERIOR SURFACE. OPTIONAL CONSTRUCTION TO BE NO MATERIAL RECYCLING CODE.
- MATING COMPONENTS OR EQUIVALENT: CONNECTOR 15336173
- (2.3)X(0.1) RAISED DELPHI CORPORATE BRAND TO BE LOCATED ON ANY EXTERIOR SURFACE, PREFERABLY VISIBLE AT FINAL ASSEMBLY. OPTIONAL CONSTRUCTION TO BE "PED" OR NO LOGO.
- TPA IS DESIGNED FOR USE WITH 2-RIB CABLE SEALS AS SHOWN ON 12191227.
- THIS PART DOES NOT FALL IN TO THE CATEGORY OF AN APPEARANCE ITEM. MINOR SURFACE IMPERFECTIONS SUCH AS FLOW LINES, EJECTOR PIN MARKS, KNIT LINES, WELD MARKS AND GATE MARKINGS ARE PERMITTED.



15410208	R	002	AB	102	M3592025 PA66 HS IM GRA MED	3.271	
15355358	R	003	AC	101	M3592025 PA66 HS IM GRA MED	2.440	
PART NO	STG	REV	N/P	STATUS	TYPE	MATERIAL SPECIFICATION AND COLOR	VOV CM ³



DIMENSIONAL RANGE (MM)		TOLERANCE UNLESS OTHERWISE SPECIFIED	
FROM	TO	±	°
> 0	> 20	0.15	0.2
> 20	> 30	0.3	0.4
> 30	> 70	0.4	0.5
> 70	> 100	0.5	0.6
> 100	> 150	0.6	0.8
> 150	> 200	0.8	1.0
> 200	> 250	1.0	1.2
> 250	> 300	1.2	1.5
> 300	> 400	1.5	2.0

DWG TYPE	
PART DRAWING	
STYLE	
VOLUME (CM ³)	DISTR CODE
SEE CHART	D
ROUTING	
6900	
UNLESS OTHERWISE SPECIFIED	
THIS DOCUMENT IS IN ACCORDANCE WITH ASME Y14.5M-1994 AS AMENDED BY THE GM GLOBAL DIMENSIONING AND TOLERANCING ADDENDUM-2001. SEPARATE PATTERNS OF FEATURES MAY BE GAGED SEPARATELY REGARDLESS OF DATUM REFERENCES.	
ALL DIMENSIONS ARE IN MILLIMETERS	
REFERENCE	
THIRD ANGLE PROJECTION	DO NOT SCALE
	
USE MATH DATA	

DELPHI
DELPHI PACKARD ELECTRIC SYSTEMS
WARREN, OH

DATE	
DR	CRAIG COGGINS
APVD1	CRAIG COGGINS
APVD2	CRAIG COGGINS
APVD3	COURTNEY MANSKY
APVD4	
APVD5	

28MR01
30MR01
04APO1

SUBSTANCES OF CONCERN AND RECYCLED CONTENT PER DELPHI 10949001

MATERIAL SEE CHART

DRAWING NAME
TAXI LOCK TPA GT 150 280 8 N/A

DRAWING NUMBER
15410212

SIZE	SCALE	FRAME NO	SHEET NO	STG	REV	N/P
A1	2:1	1 OF 1	1 OF 1	R	04	-

X-ON Electronics

Largest Supplier of Electrical and Electronic Components

Click to view similar products for [Automotive Connectors](#) category:

Click to view products by [Delphi](#) manufacturer:

Other Similar products are found below :

[003-018-000](#) [600858](#) [60403001](#) [60993906-B](#) [60993913-B](#) [629515004020001](#) [M902-2131](#) [M902-2161](#) [M902-2344](#) [72.330.1035.1](#)
[73.353.4028.0](#) [F118010](#) [F119300-B](#) [F132210](#) [F132210-B](#) [F166900](#) [F180100](#) [F258300](#) [F258300-B](#) [F294300-B](#) [F339100](#) [F339700](#) [F358300-](#)
[B](#) [F374110](#) [F407400](#) [F412210](#) [F427600](#) [F444110](#) [F487000](#) [F495100-B](#) [F500900-B](#) [F509500B-B](#) [770444-1](#) [776880-1](#) [827153-1](#) [881735-1](#)
[8N1515-32-24P](#) [9-1326727-8](#) [9-1326729-8](#) [925467-1](#) [925474-1](#) [928905-1](#) [936398-2](#) [964562-1](#) [964562-4](#) [964731-2](#) [965051-1](#) [968782-1](#)
[GT17SA-8DS-HU](#) [GT17VS-10DP-5.2CF](#)