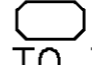


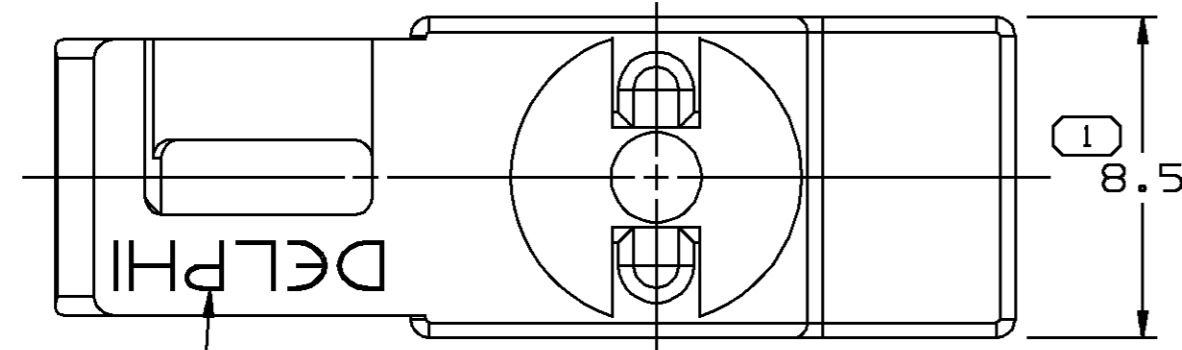
DO NOT SCALE


D

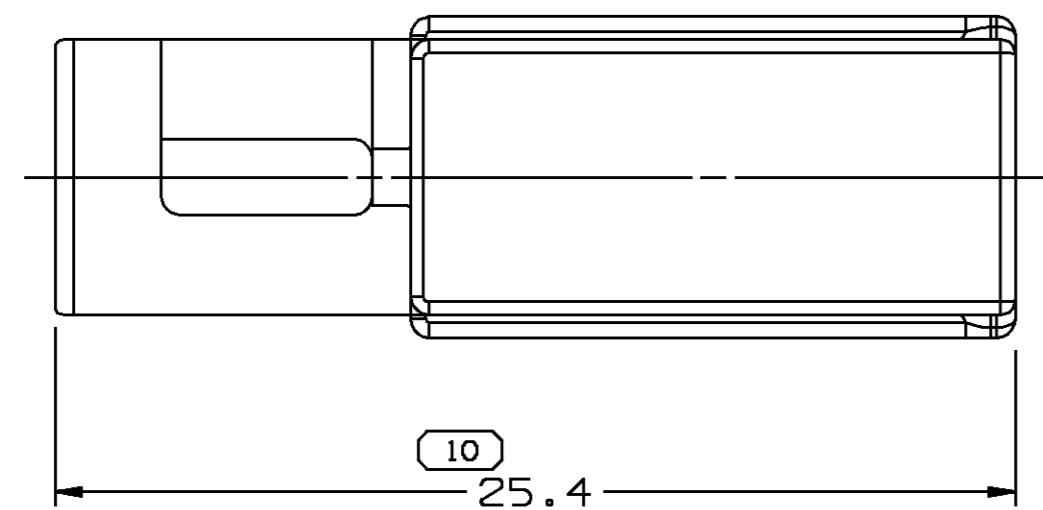
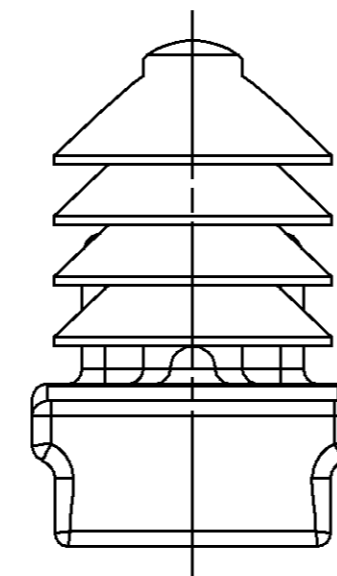
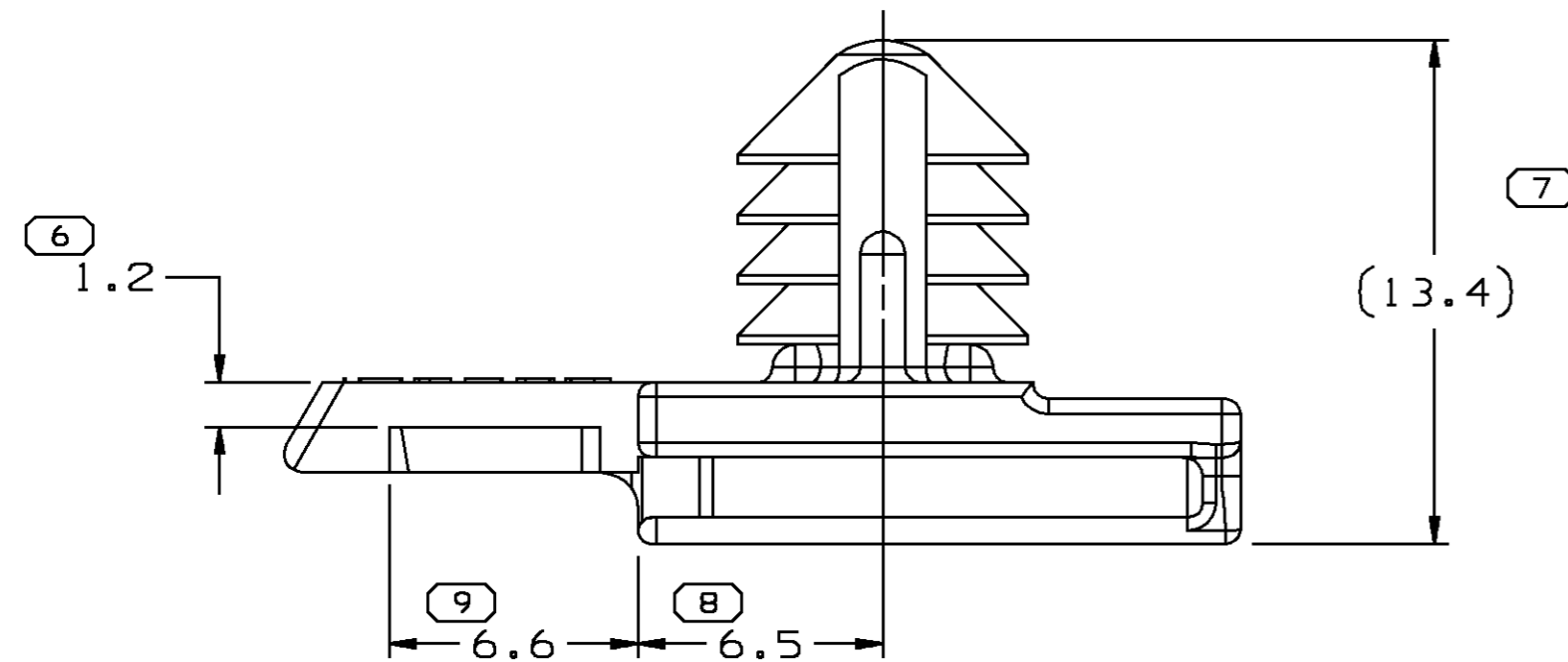
PART NO  
15366630

DATE	SYM	REVISION RECORD	AUTH	DR	CK
16N09B	A	RELEASED	980005	AAS	MVA
30JL99	AI	REMOVED DIM (1 PLCS) & ADDED LABEL OF DELPHI			
		LOGO	193634	FKV	FKV

SYMBOL DEFINITION			MISSING NUMBERS
THE NUMBER INSIDE THE SYMBOL  CORRESPONDS TO THE NUMBER ON THE INSPECTION REPORT FOR THIS DRAWING/PART NUMBER	TOTAL NO. OF SYMBOLS ON DRAWING	7	2-5,
	LAST NO. USED	11	

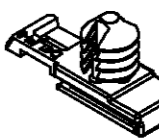



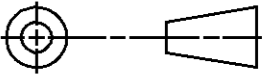
(11)   
 (1.3) X (0.1) RAISED LETTERS AS SHOWN. MAY BE LOCATED ON ANY EXTERIOR SURFACE VISIBLE AT FINAL ASSEMBLY (OPTIONAL).



NOTES

- UNLESS OTHERWISE SPECIFIED AND/OR INDICATED: DIMENSIONS ARE TO FACE OF VIEW SHOWN AND AUTOMATICALLY ROUNDED BY COMPUTER FOR INSPECTION. (SEE MATH MODEL FOR PRECISE DIMENSIONS.) FOR ALL OTHER DIMENSIONS NOT SHOWN BUT REQUIRED FOR TOOL BUILD, SEE MATH MODEL FOR PRECISE TOOL PATH DATA.
- RECOMMENDED HOLE SIZE:  $\varnothing$  6.35 IN 2 MAX THICK STOCK.



PART DRAWING		THIRD ANGLE PROJECTION
		
CODE NO 6900	QC	<b>METRIC</b> DIMENSIONS ARE IN MILLIMETERS UNLESS OTHERWISE SPECIFIED
DWG DATE 16N09B		
SCALE 5:1	DES	
REFERENCE NO 001,701	DRA. ARZATE 16N09B	
	CK MANUEL VEGA 18N09B	
	APPR S. NORLING 30N09B	
	VOL CM <sup>3</sup> 0.703	
MATERIAL SPEC R0071784 PA66 HS IM-GRA MD		
NAME CLIP CONN		
PART NUMBER 15366630		SIZE A2

DIMENSIONAL RANGE	
FROM	TO
0	> 20
> 20	> 30
> 30	> 70
> 70	> 100
TOLERANCE UNLESS OTHERWISE SPECIFIED	
±0.15   ±0.2   ±0.3   ±0.4   ±0.5	
ANGULAR TOLERANCE ± 2°	



## X-ON Electronics

Largest Supplier of Electrical and Electronic Components

*Click to view similar products for [Automotive Connectors](#) category:*

*Click to view products by [Delphi](#) manufacturer:*

Other Similar products are found below :

[003-018-000](#) [600858](#) [60403001](#) [60993906-B](#) [60993913-B](#) [629515004020001](#) [M902-2131](#) [M902-2161](#) [M902-2344](#) [72.330.1035.1](#)  
[73.353.4028.0](#) [F118010](#) [F119300-B](#) [F132210](#) [F132210-B](#) [F166900](#) [F180100](#) [F258300](#) [F258300-B](#) [F294300-B](#) [F339100](#) [F339700](#) [F358300-](#)  
[B](#) [F374110](#) [F407400](#) [F412210](#) [F427600](#) [F444110](#) [F487000](#) [F495100-B](#) [F500900-B](#) [F509500B-B](#) [770444-1](#) [776880-1](#) [827153-1](#) [881735-1](#)  
[8N1515-32-24P](#) [9-1326727-8](#) [9-1326729-8](#) [925467-1](#) [925474-1](#) [928905-1](#) [936398-2](#) [964562-1](#) [964562-4](#) [964731-2](#) [965051-1](#) [968782-1](#)  
[GT17SA-8DS-HU](#) [GT17VS-10DP-5.2CF](#)