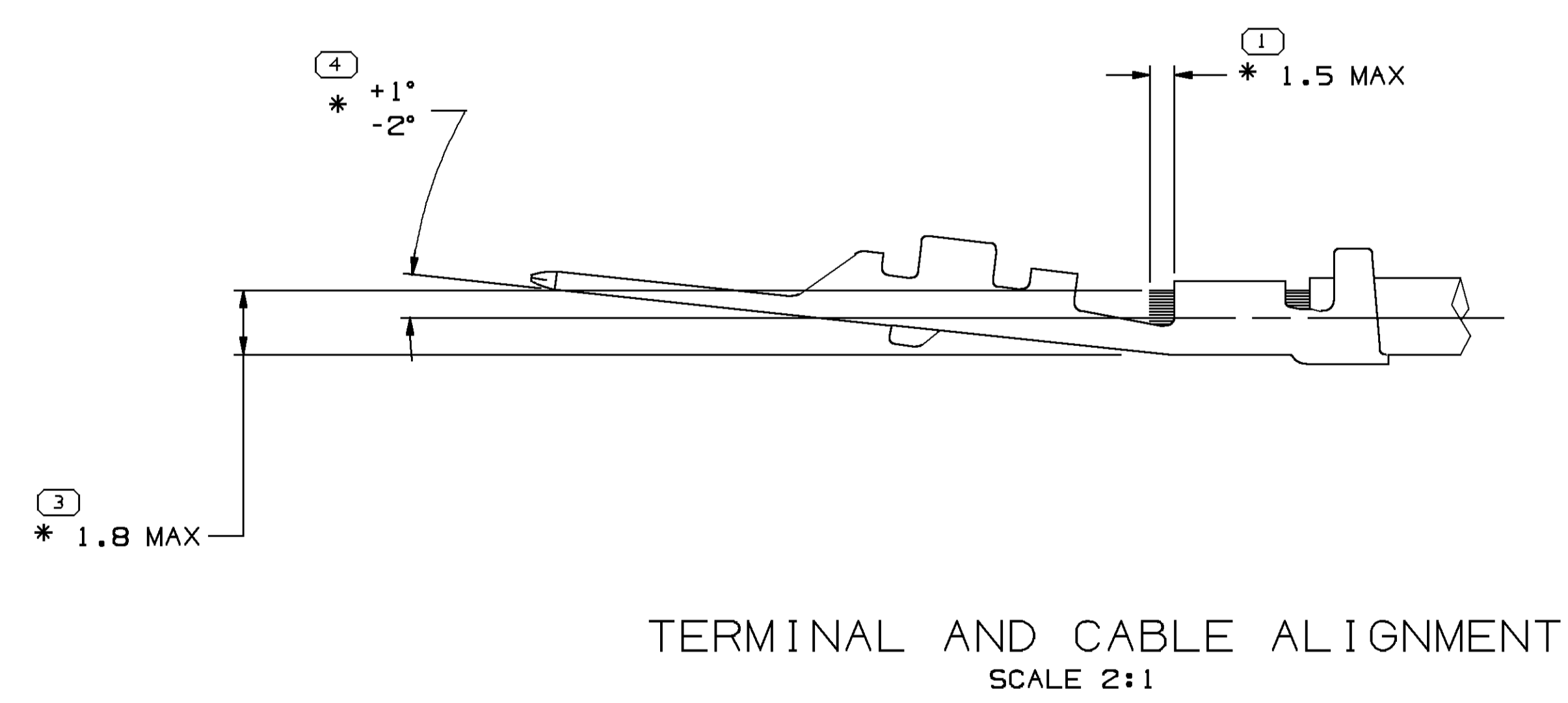
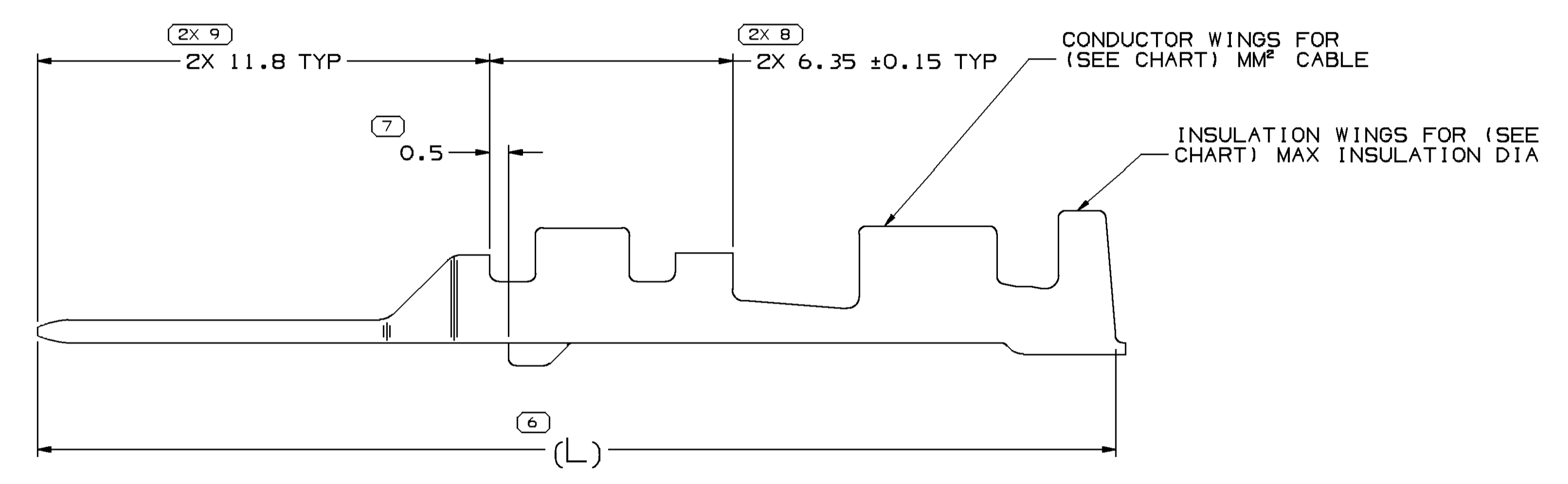
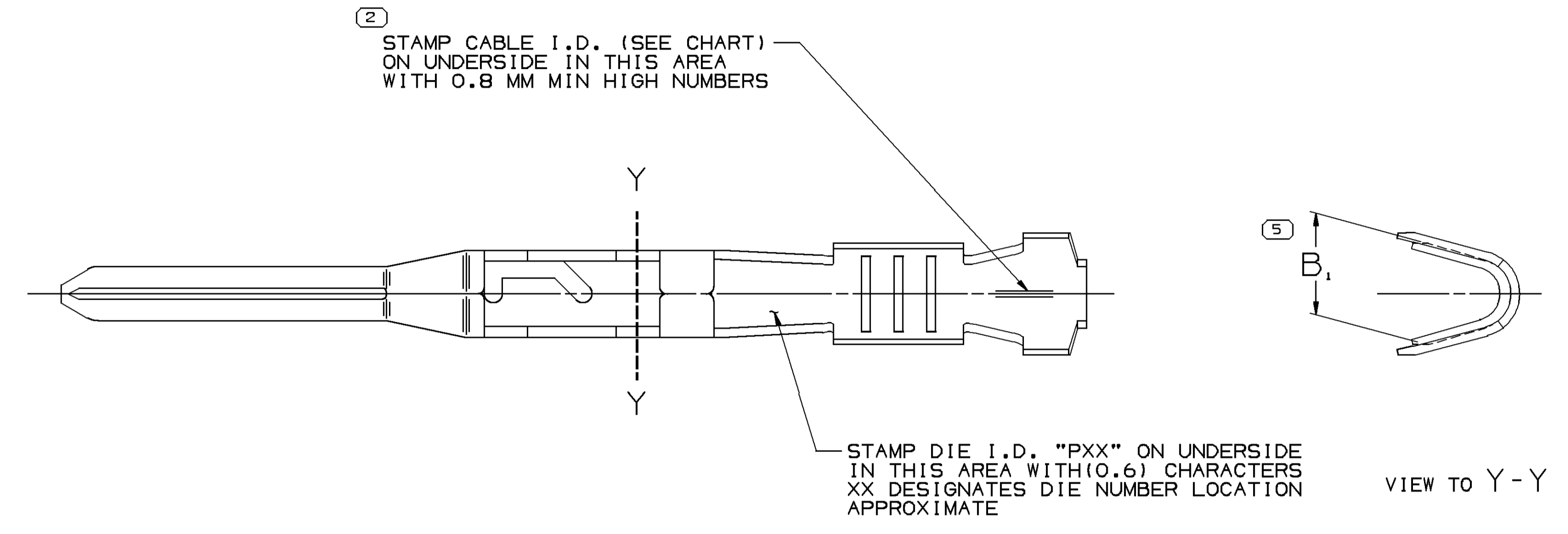
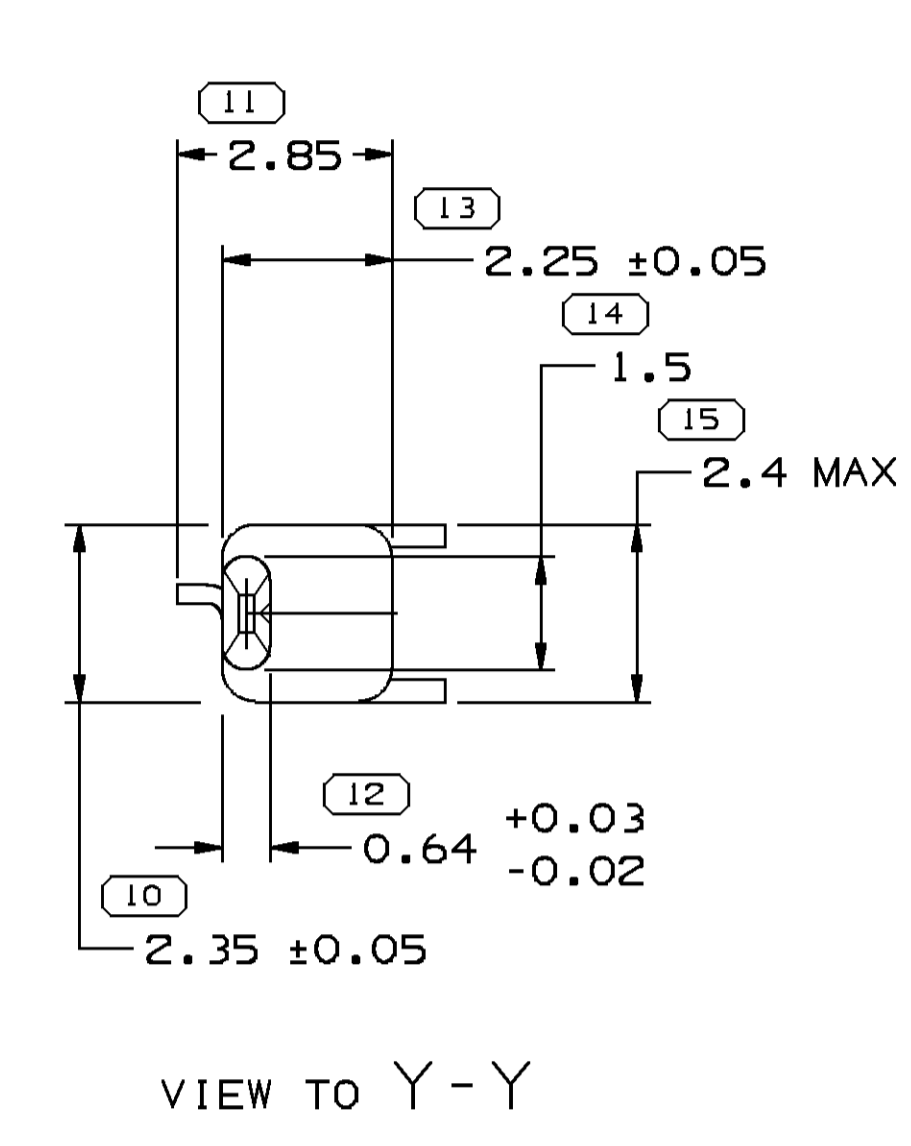


SYMBOL DEFINITION		TOTAL NO OF INSPECTIONS REQUIRED	NO MISSING SYMBOL NUMBER
A DIMENSION WITHOUT AN INSPECTION REPORT SYMBOL DOES NOT REQUIRE INSPECTION. IT MAY BE CONTROLLED ON THE INDIVIDUAL COMPONENT DRAWING.		17	
	LAST NO. USED	15	

DWG STATUS				REVISION HISTORY				AUTH	DR	APVD	APVD
DATE	STG	REV	N/P	CHG	ZONE						
30.JUL02	R	04	-	-		CLEARED REV COL & 15393149 - UPDATED PDM ATTRIBUTES	226419	JHN	FRB	TTT	
040C04	R	05	-	-		15393149 - ADDED STAMP DIE I.D.	259308	JBD	JVM	MKM	
23NO04	R	06	-	-		15497764 - RELEASED	261462	HAM	HAM	MDM	
01DE08	R	07	-	-		ALL PARTS - UPDATED MAT'L CALLOUT	406826	MH	PYP	MH	
16AU10	R	08	-	-		ALL PARTS - ADDED PLATING NOTE, CONTACT AREA & CRIMP AREA COLUMNS ON CHART AND UPDATED MAT'L CALLOUT	411638	JTZ	JTZ	VMR	
040C10	R	09	-	-		ALL PARTS - UPDATED "PLATING TYPE" NOTE	412124	JRL	JRL	VMR	
15.JL11	R	10	-	-		ALL PARTS - ADDED PREFERRED MAT'L COLUMN AND ALTERNATIVE MAT'L SIZE COLUMN WAS MAT'L SIZE COLUMN	414846	VMR	VMR	VMR	



- NOTES
- UNLESS OTHERWISE SPECIFIED AND/OR INDICATED:
DIMENSIONS ARE TO FACE OF VIEW SHOWN AND AUTOMATICALLY ROUNDED BY COMPUTER FOR INSPECTION (SEE MATH MODEL FOR PRECISE DIMENSIONS). FOR ALL OTHER DIMENSIONS NOT SHOWN BUT REQUIRED FOR TOOL BUILD, SEE MATH MODEL FOR PRECISE TOOL PATH DATA.
 - REFERENCE MATING COMPONENTS OR EQUIVALENT:
TERMINAL 15393150
 - "*" DENOTES DIMENSIONS MADE AT CUT-OFF AND CRIMP DIE.
 - DO NOT PROBE, TEST OR OTHERWISE CONTACT THE INTERIOR REGION (THE SPRING OR ANY MOVING PART) OF THIS TERMINAL. SEVERE DAMAGE CAN OCCUR, COMPROMISING THE PERFORMANCE OF THE ELECTRICAL INTERFACE.
 - PLATING TYPE:
I. GOLD FLASH 0.1 MICROMETERS THICK OVER 1.0 MICROMETER PALLADIUM AND NICKEL UNDERPLATE 0.37 - 0.62 MICROMETERS THICK,
II. MATE TIN ELECTROPLATE 1.9 - 7.0 MICROMETERS THICK.
PLATING TYPE INFORMATION SHOWN ABOVE IS REFERENCE ONLY, PLATING REQUIREMENTS ARE CONTAINED IN APPLICABLE MATERIAL SPECIFICATION.

PART NO	REV	N/P	STATUS	PREFERRED MAT'L SIZE	ALTERNATIVE MAT'L SIZE	MAT'L DESCRIPTION	SIZE (MM²)	ID	DIA	TYPE	CONTACT AREA PLATING TYPE (SEE NOTE 5)	CRIMP AREA PLATING TYPE (SEE NOTE 5)
15497764	01	AD	-	0.3 X 35.75	0.3 X 36.12	COPPER ALLOY	0.75 - 1	17	2.25 - 1.7	201	2.65	28.15
15393149	01	AH	-	0.3 X 35.75	0.3 X 36.12	COPPER ALLOY	0.35 - 0.5	21	1.85 - 1.2	201	2.1	28.15

DIMENSIONAL RANGE (MM)		CHART CD	THIRD ANGLE PROJECTION	DO NOT SCALE
FROM	TO			
0	> 12			
TOLERANCE UNLESS OTHERWISE SPECIFIED:				
±0.1	±0.2			
ANGULAR TOLERANCE ±2°				

DELPHI
DELPHI PACKARD ELECTRICAL/ELECTRONIC ARCHITECTURE
WARREN, OH

DR	DATE
APV01 J.S. ALVARADO	02MY00
APV02 P. H. CASTRILLON	02MY00
APV03 THOMAS PERSSON	03MY00
APV04	
APV05	

THIS DOCUMENT IS IN ACCORDANCE WITH ASME Y14.5M-1994 AS MODIFIED BY THE 2003 DIMENSIONING AND TOLERANCING ADDENDUM - 1997. ALL GEOMETRIC TOLERANCES AND RELATED DATUMS APPLY UNLESS RULE #1 (INSPECT FORM AT MFC) DOES NOT APPLY WHEN RELATIONSHIP BETWEEN FEATURES IS ESTABLISHED BY ORIENTATION OR LOCATION TOLERANCES. SEPARATE POSITION CALLOUTS MAY BE SAVED SEPARATELY, IRRESPECTIVE OF DATUM REFERENCE. ALL DIMENSIONS ARE IN MILLIMETERS.

UNLESS OTHERWISE SPECIFIED

DRAWING NUMBER: TAXI TERM M 0T 150

DRAWING NUMBER: 15304700

SIZE: A0 SCALE: 10:1 FRAME NO: 1 OF 1 SHEET NO: 2 OF 2 STG: R REV: 10

X-ON Electronics

Largest Supplier of Electrical and Electronic Components

Click to view similar products for [Automotive Connectors](#) category:

Click to view products by [Delphi](#) manufacturer:

Other Similar products are found below :

[003-018-000](#) [600858](#) [60403001](#) [60993906-B](#) [60993913-B](#) [629515004020001](#) [M902-2131](#) [M902-2161](#) [M902-2344](#) [72.330.1035.1](#)
[73.353.4028.0](#) [F118010](#) [F119300-B](#) [F132210](#) [F132210-B](#) [F166900](#) [F180100](#) [F258300](#) [F258300-B](#) [F294300-B](#) [F339100](#) [F339700](#) [F358300-](#)
[B](#) [F374110](#) [F407400](#) [F412210](#) [F427600](#) [F444110](#) [F487000](#) [F495100-B](#) [F500900-B](#) [F509500B-B](#) [770444-1](#) [776880-1](#) [827153-1](#) [881735-1](#)
[8N1515-32-24P](#) [9-1326727-8](#) [9-1326729-8](#) [925467-1](#) [925474-1](#) [928905-1](#) [936398-2](#) [964562-1](#) [964562-4](#) [964731-2](#) [965051-1](#) [968782-1](#)
[GT17SA-8DS-HU](#) [GT17VS-10DP-5.2CF](#)