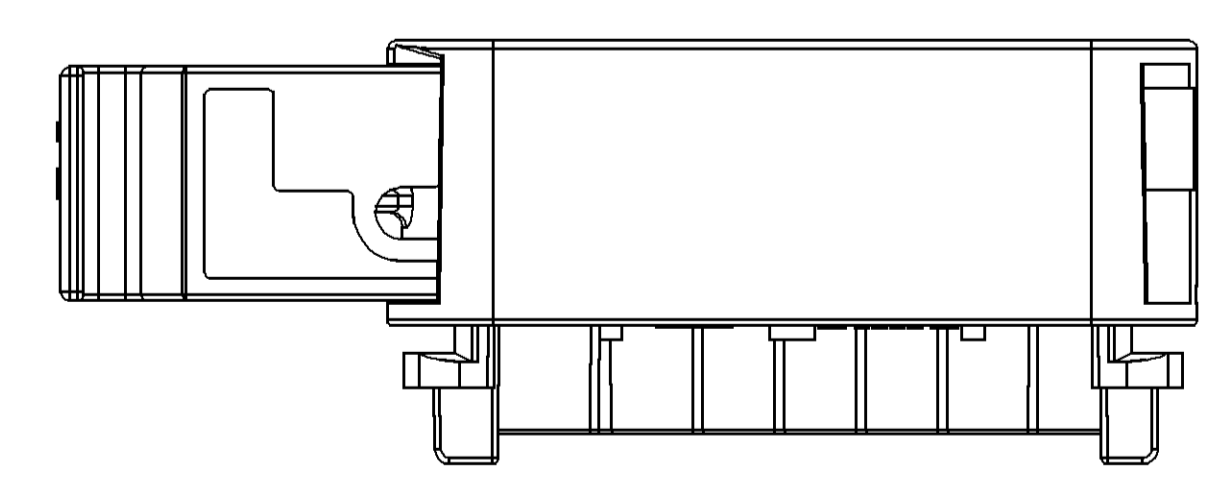
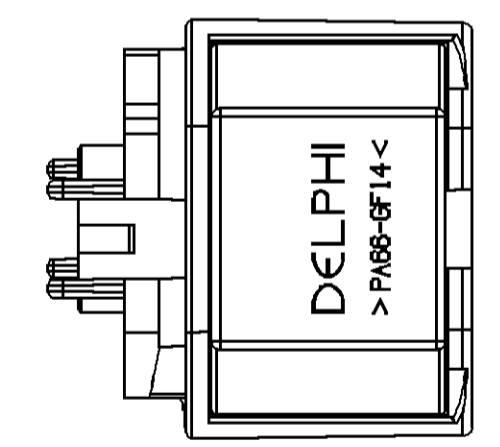
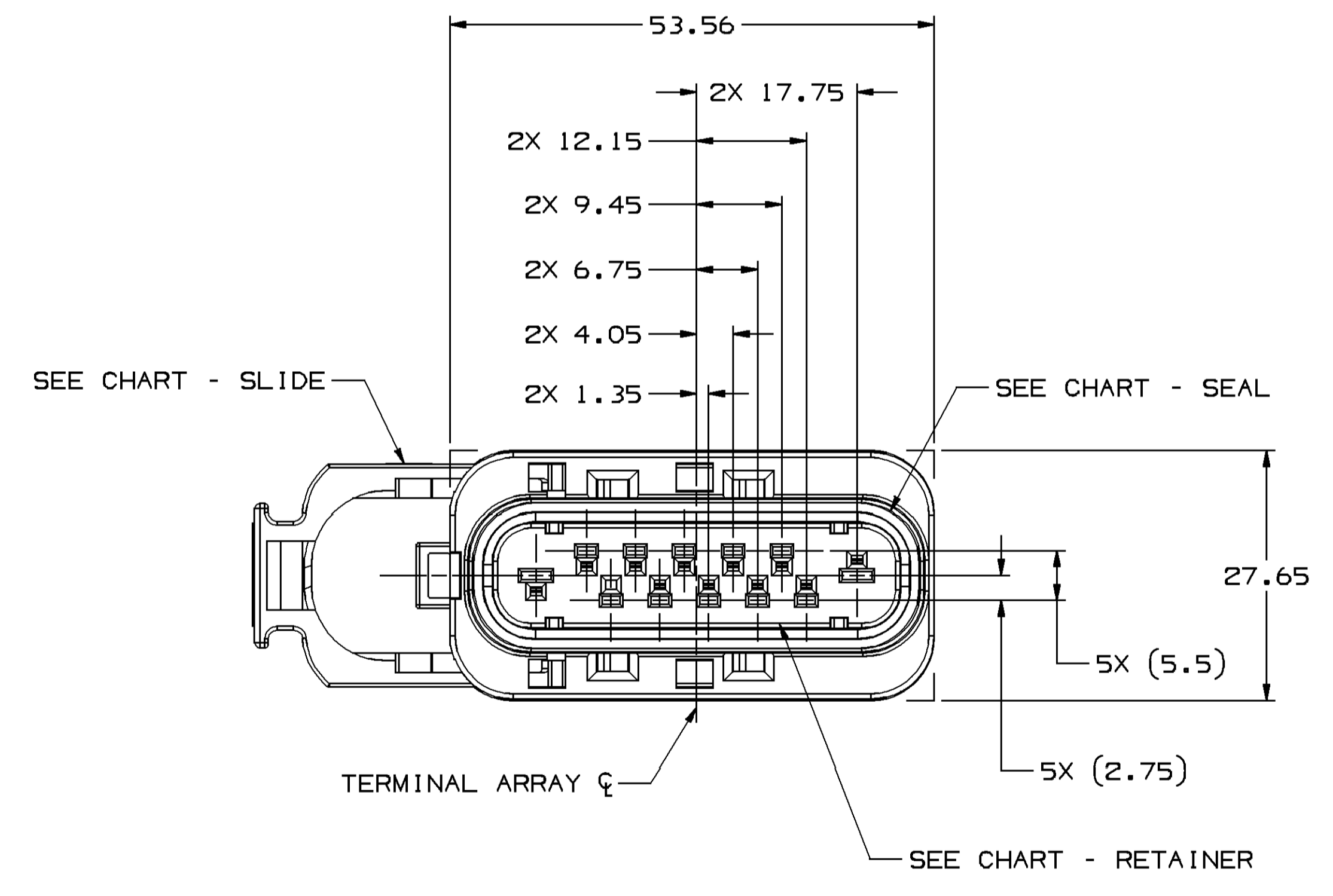
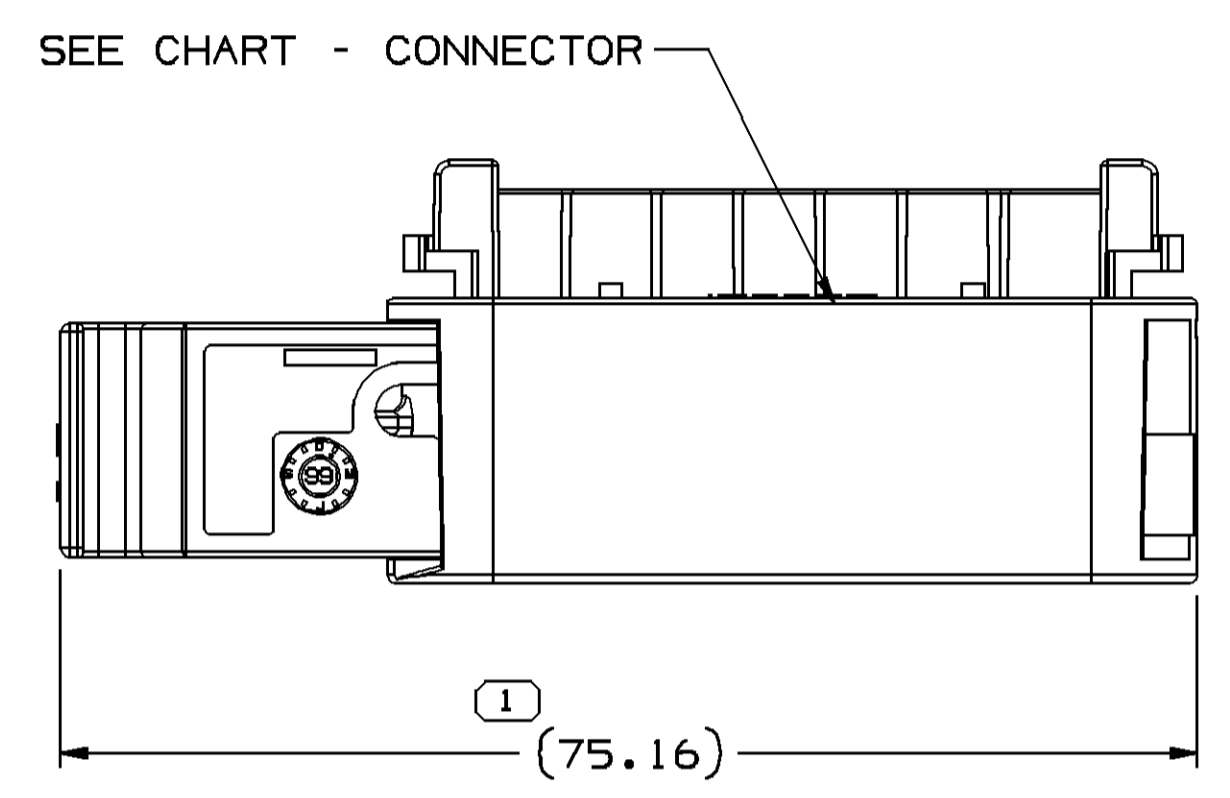


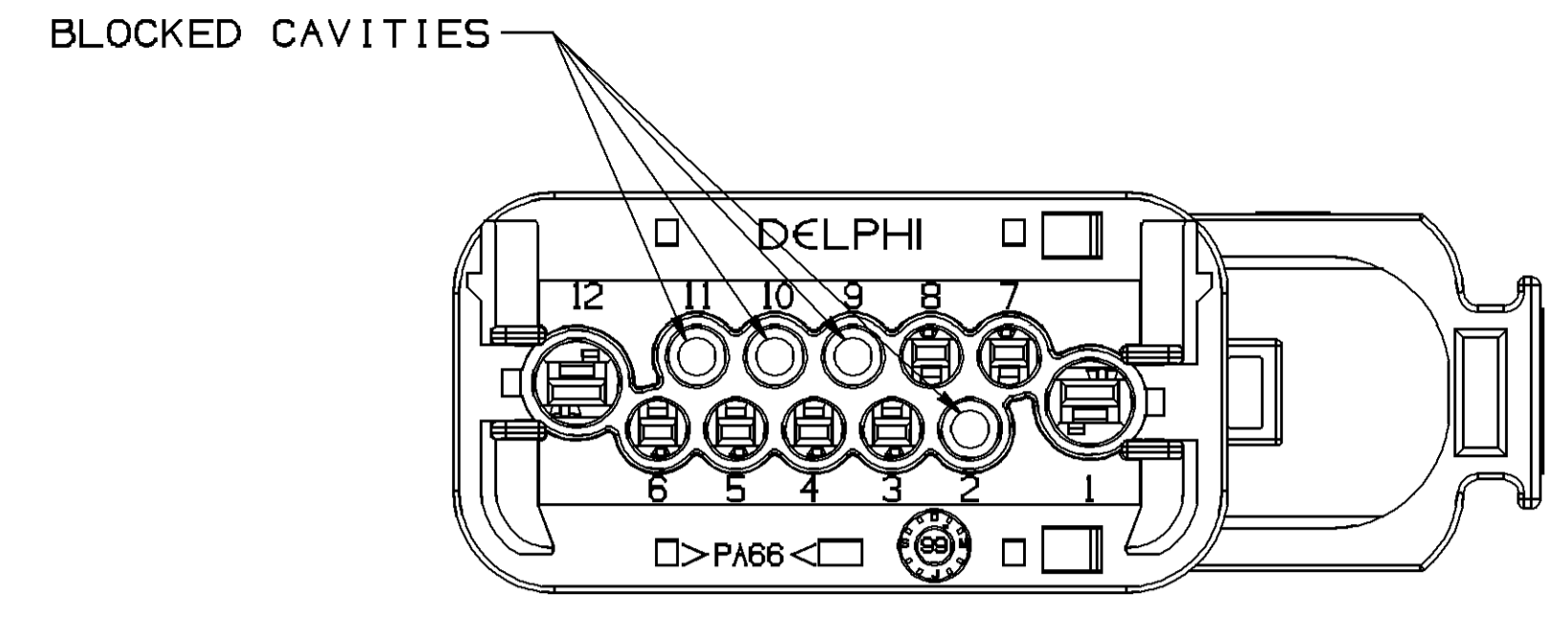
VIEW OF FULLY ASSEMBLED CONNECTION
TPA NOT VISIBLE



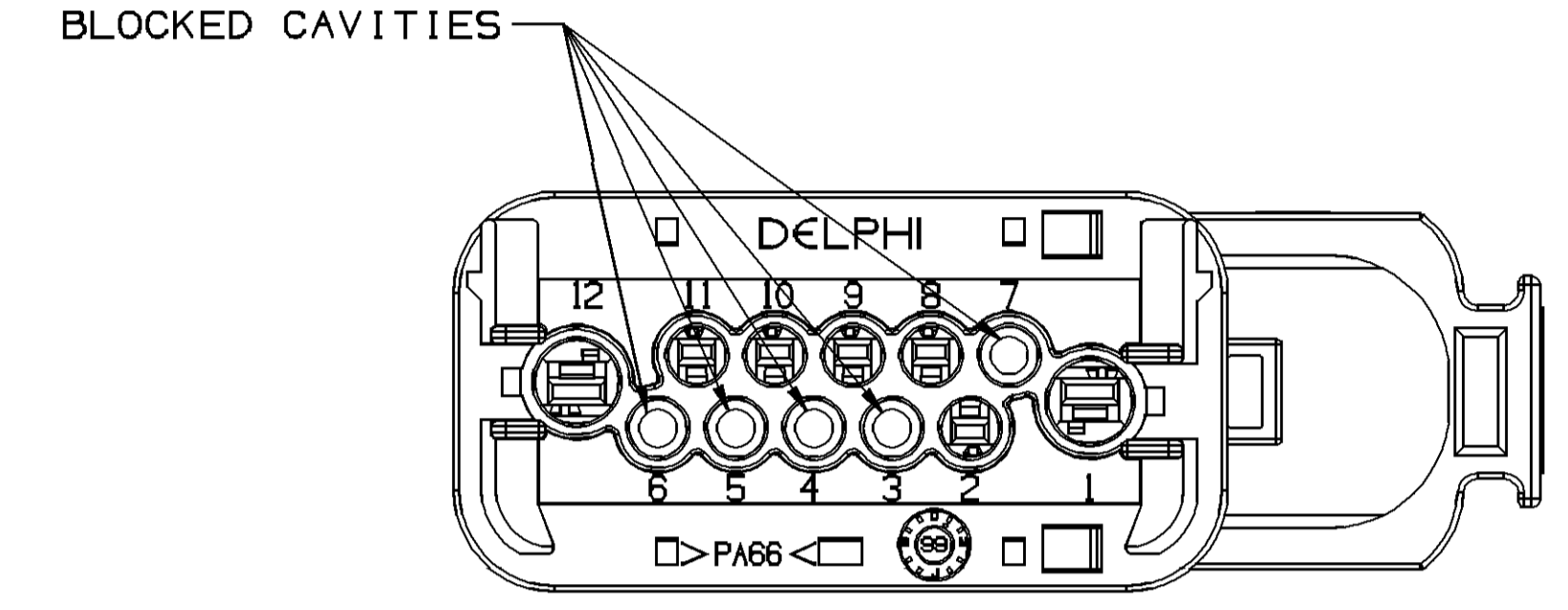
PART NO	REV	N/P	STATUS	CONNECTOR	SLIDE	RETAINER	SEAL	TYPE	BLOCKED CAVITIES
15423273	03	-		15423271	15366675	15416726	15366623	204	2,9,10,11
15419116	03	AA		15419117	15366675	15416726	15366623	203	3,4,5,6,7
15416724	03	AA		15416725	15366675	15416726	15366623	202	6
15416722	03	AA		15416723	15366675	15416726	15366623	201	2

SYMBOL DEFINITION		MISSING SYMBOLS	
A DIMENSION WITHOUT AN INSPECTION REPORT SYMBOL DOES NOT REQUIRE INSPECTION. IT MAY BE CONTROLLED ON THE INDIVIDUAL COMPONENT DRAWING.	TOTAL NO OF INSPECTIONS REQUIRED	NO MISSING SYMBOL NUMBER	
	1		
	LAST NO. USED		
	1		

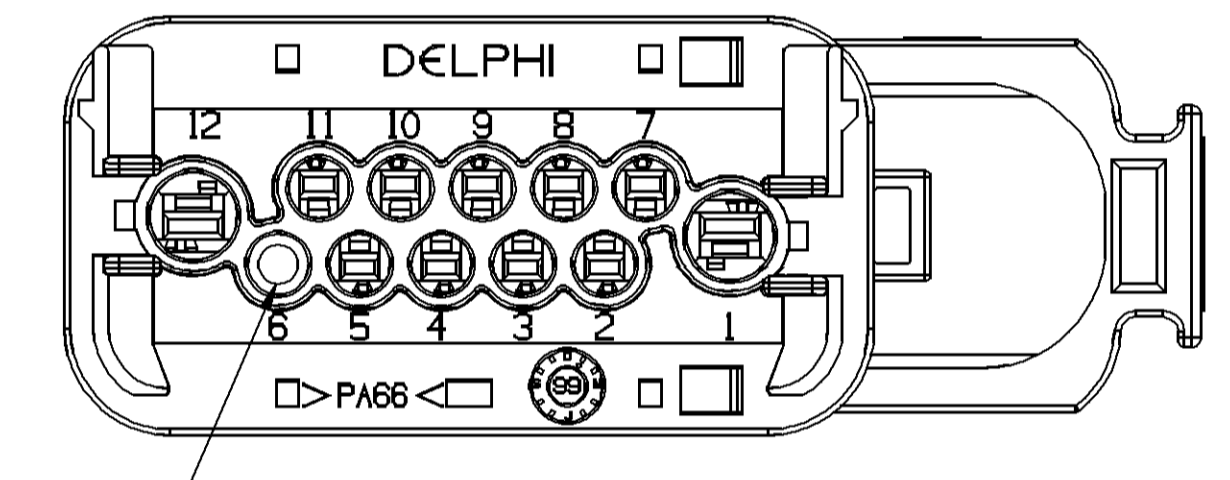
DATE				REV				ZONE				REVISION HISTORY				AUTH		DR		AP/VD	
11	11	02	-	-	-	-	-	-	-	-	-	CLEARED REVISION COLUMN & 15423273 - RELEASED; 15419116, 15416724 & 15416722 - UPDATED PDM ATTRIBUTES	223672	ECB	JAA	1	JAA	1	CSO		
15	03	-	-	-	-	-	-	-	-	-	-	ALL PARTS - UPDATED GRAPHICS	245932	TLD	TLD	1	TLD	1	CSO		
13	04	-	-	-	-	-	-	-	-	-	-	REVISED GRAPHICS	249513	ECB	AUG	1	AUG	1	CSO		
23	05	-	-	-	-	-	-	-	-	-	-	15416722, 15416724 & 15419116 - UPDATED PDM ATTRIBUTES	400939	JBD	JVM	1	JVM	1	JES		



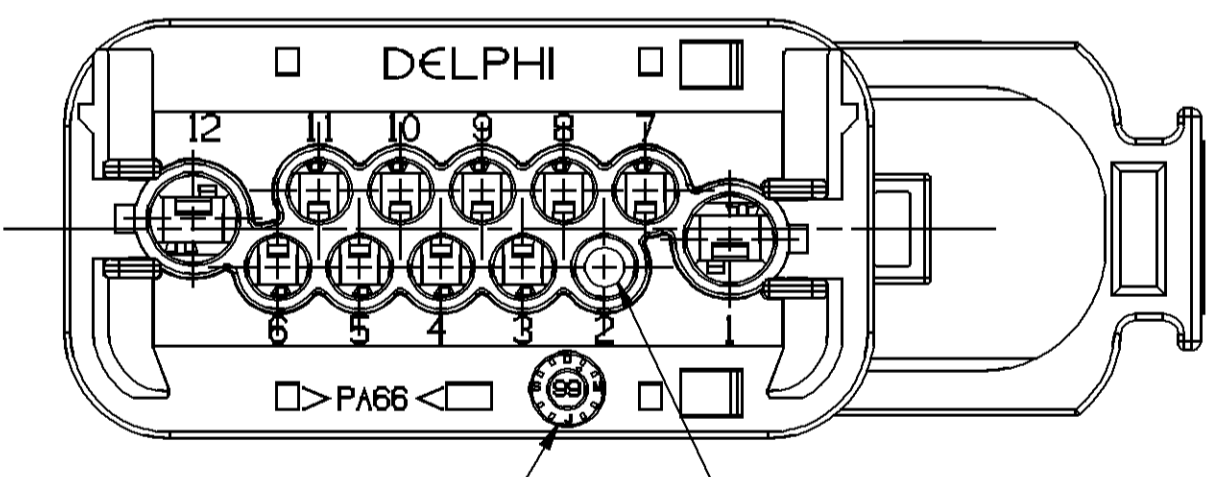
TYPE 204
SAME AS TYPE 201
EXCEPT AS SHOWN



TYPE 203
SAME AS TYPE 201
EXCEPT AS SHOWN



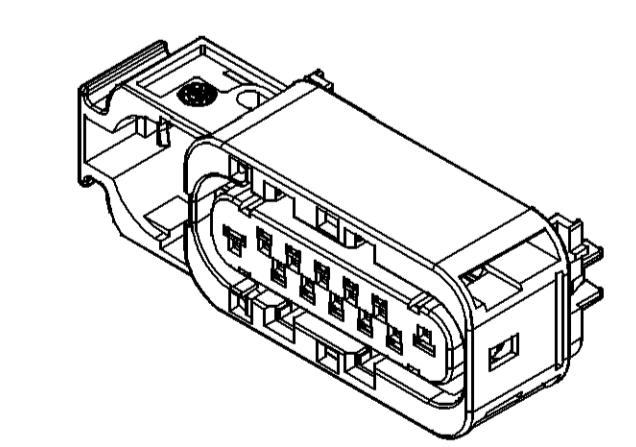
TYPE 202
SAME AS TYPE 201
EXCEPT AS SHOWN



DATE STAMP MUST SHOW DATE OF MANUFACTURE

TYPE 201

TERMINAL ARRAY TYPES (REAR VIEW)



NOTES

- UNLESS OTHERWISE SPECIFIED AND/OR INDICATED: DIMENSIONS ARE TO FACE OF VIEW SHOWN AND AUTOMATICALLY ROUNDED BY COMPUTER FOR INSPECTION (SEE MATH MODEL FOR PRECISE DIMENSIONS). FOR ALL OTHER DIMENSIONS NOT SHOWN BUT REQUIRED FOR TOOL BUILD, SEE MATH MODEL FOR PRECISE TOOL PATH DATA.
- MATING DEVICE 15366683
- THIS PART ACCEPTS THE FOLLOWING COMPONENTS OR EQUIVALENT:
 - 150 CAVITIES - TERMINAL 12191819
 - 280 CAVITIES - TERMINAL 15304719
 - TERMINAL POSITION ASSURANCE LOCK 15416727
 - CONNECTOR POSITION ASSURANCE LOCK 15366678
 - TETHERED CPA 15394612
 - WIRE DRESS 15416728

PART DRAWING		
STYLE	D	
VOLUME (OPT)		
DISTR CODE		
UNLESS OTHERWISE SPECIFIED:		
THIS DOCUMENT IS IN ACCORDANCE WITH ASME Y14.9M-1994 AS MODIFIED BY THE IN CHARGE, DIMENSIONAL AND TOLERANCE PRACTICES. ALL DIMENSIONS ARE UNLESS OTHERWISE SPECIFIED TO BE IN MILLIMETERS. UNLESS OTHERWISE SPECIFIED, DIMENSIONS ARE TO FACE OF VIEW SHOWN AND AUTOMATICALLY ROUNDED BY COMPUTER FOR INSPECTION (SEE MATH MODEL FOR PRECISE DIMENSIONS). FOR ALL OTHER DIMENSIONS NOT SHOWN BUT REQUIRED FOR TOOL BUILD, SEE MATH MODEL FOR PRECISE TOOL PATH DATA.		
ALL DIMENSIONS ARE IN MILLIMETERS.		
DIMENSIONAL RANGE (MM)		
FROM	TO	SHORT ET
> 0	> 30	> 100
> 30	> 70	> 150
> 70	> 100	> 200
> 100	> 150	> 250
> 150	> 200	> 300
> 200	> 250	> 300
> 250	> 300	> 400
TOLERANCE UNLESS OTHERWISE SPECIFIED:		
±0.15	±0.2	±0.3
±0.4	±0.5	±0.6
±0.8	±1.0	±1.2
ANGULAR TOLERANCE 2°		
THIRD ANGLE PROJECTION		DO NOT SCALE
USE MATH DATA		

DELPHI
DELPHI PACKARD ELECTRICAL/ELECTRONIC ARCHITECTURE
WARREN, OH

DR	DATE
APV01 ANDRES MENDEZ	245E01
APV02 ANDRES MENDEZ	245E01
APV03 C S DE PROFIO	265E01
APV04	
APV05	

MATERIAL: SEE DRAWING

DRAWING NAME: TAXI ASM CONN F GT 150 280 SLD

DRAWING NUMBER: 15355379

SIZE	SCALE	FRAME NO	SHEET NO	REV	N/P
A0	2:1	1	1	2	OF

X-ON Electronics

Largest Supplier of Electrical and Electronic Components

Click to view similar products for [Automotive Connectors](#) category:

Click to view products by [Delphi](#) manufacturer:

Other Similar products are found below :

[003-018-000](#) [600858](#) [60403001](#) [60993906-B](#) [60993913-B](#) [629515004020001](#) [M902-2131](#) [M902-2161](#) [M902-2344](#) [72.330.1035.1](#)
[73.353.4028.0](#) [F118010](#) [F119300-B](#) [F132210](#) [F132210-B](#) [F166900](#) [F180100](#) [F258300](#) [F258300-B](#) [F294300-B](#) [F339100](#) [F339700](#) [F358300-](#)
[B](#) [F374110](#) [F407400](#) [F412210](#) [F427600](#) [F444110](#) [F487000](#) [F495100-B](#) [F500900-B](#) [F509500B-B](#) [770444-1](#) [776880-1](#) [827153-1](#) [881735-1](#)
[8N1515-32-24P](#) [9-1326727-8](#) [9-1326729-8](#) [925467-1](#) [925474-1](#) [928905-1](#) [936398-2](#) [964562-1](#) [964562-4](#) [964731-2](#) [965051-1](#) [968782-1](#)
[GT17SA-8DS-HU](#) [GT17VS-10DP-5.2CF](#)