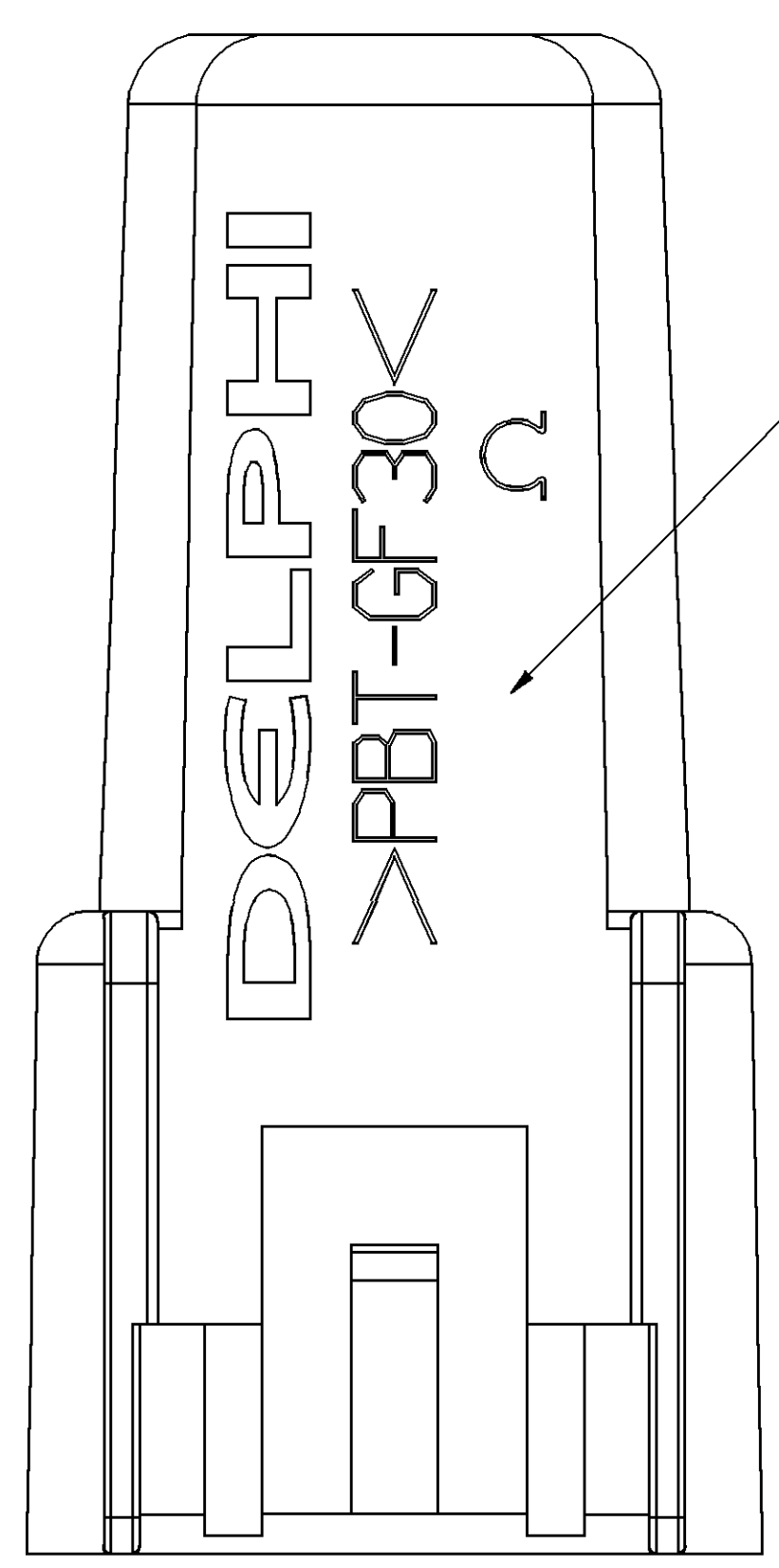
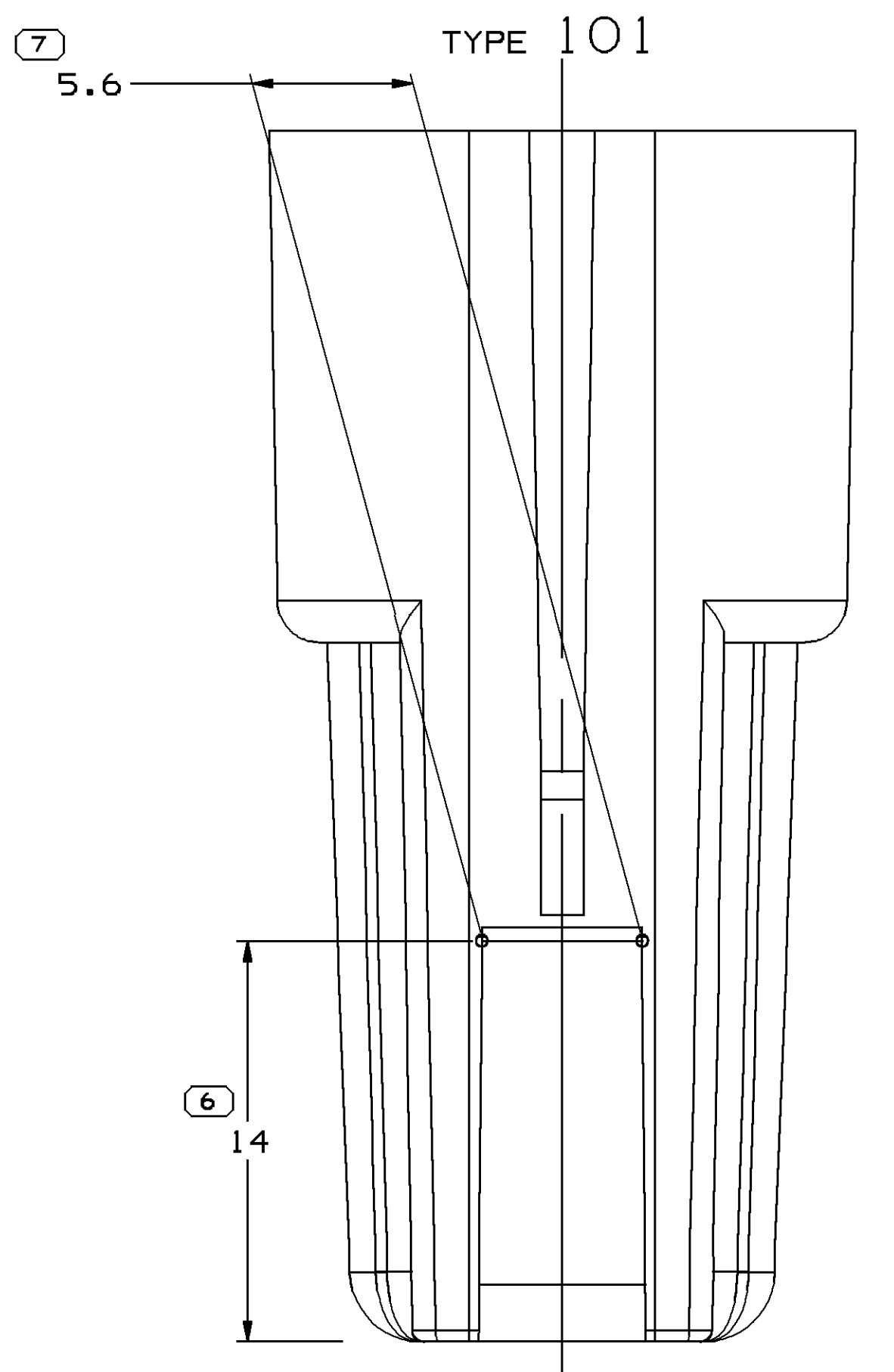
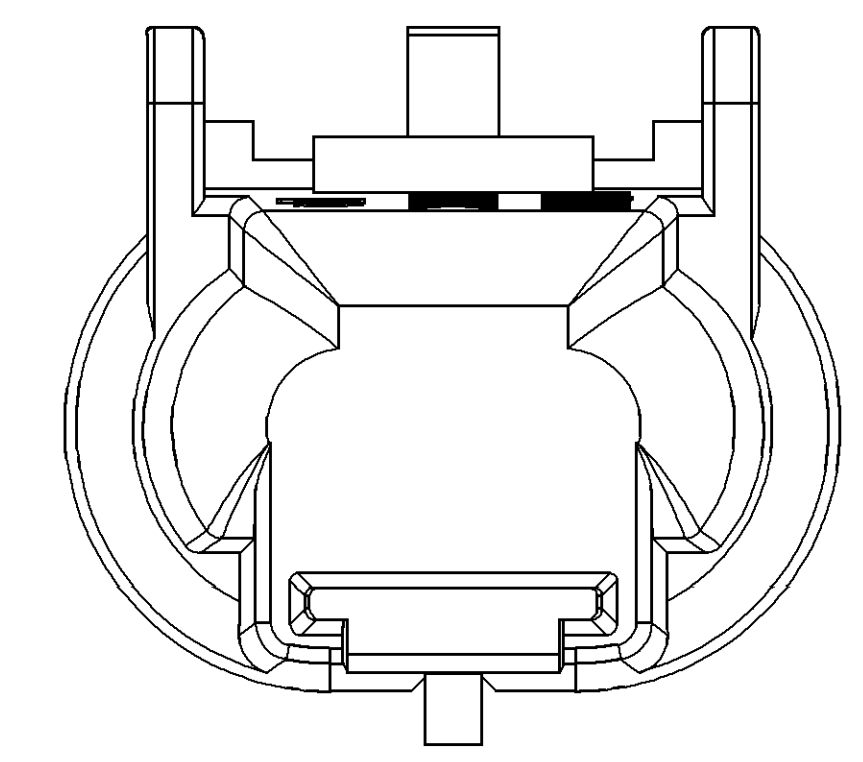
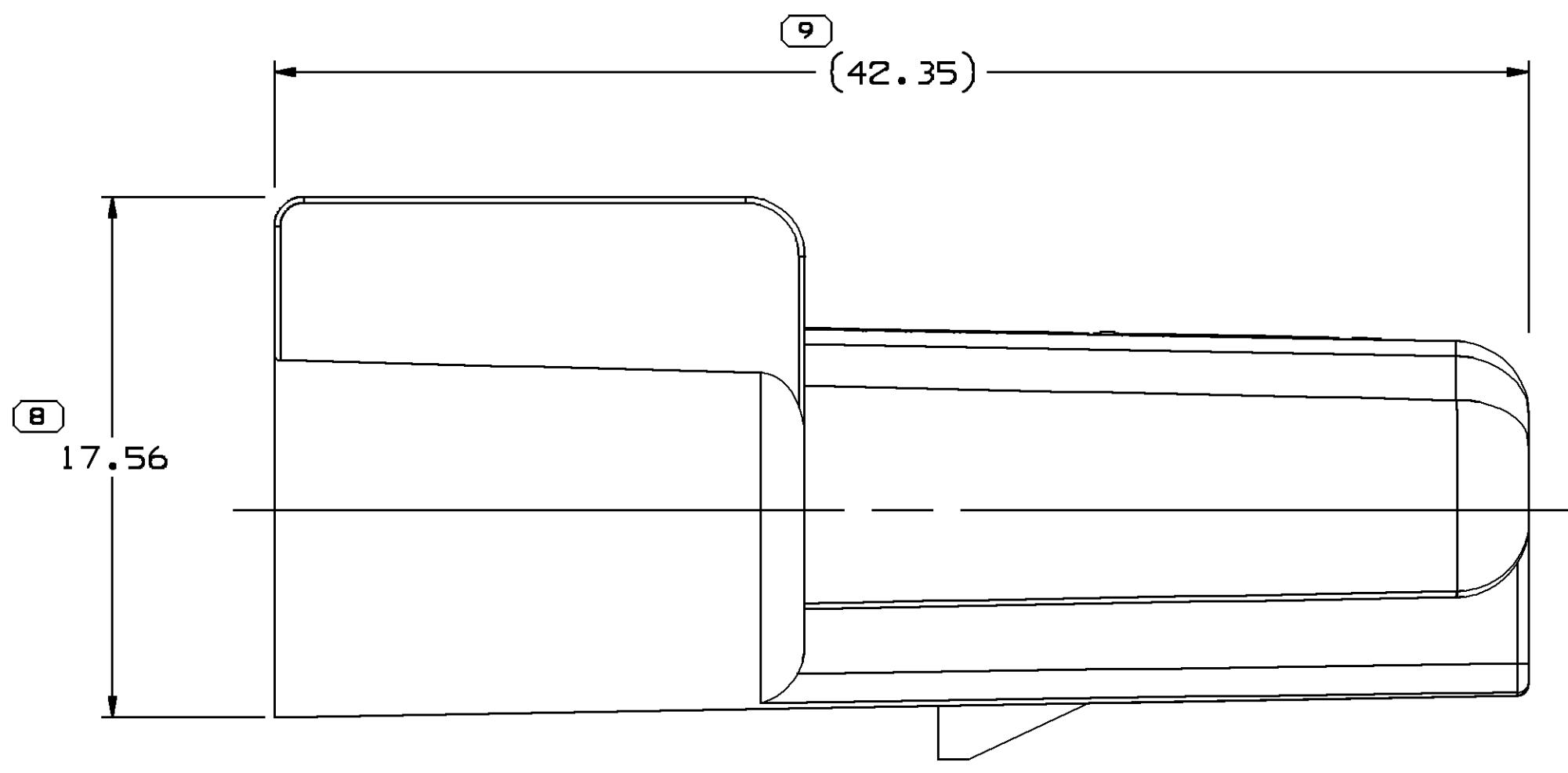
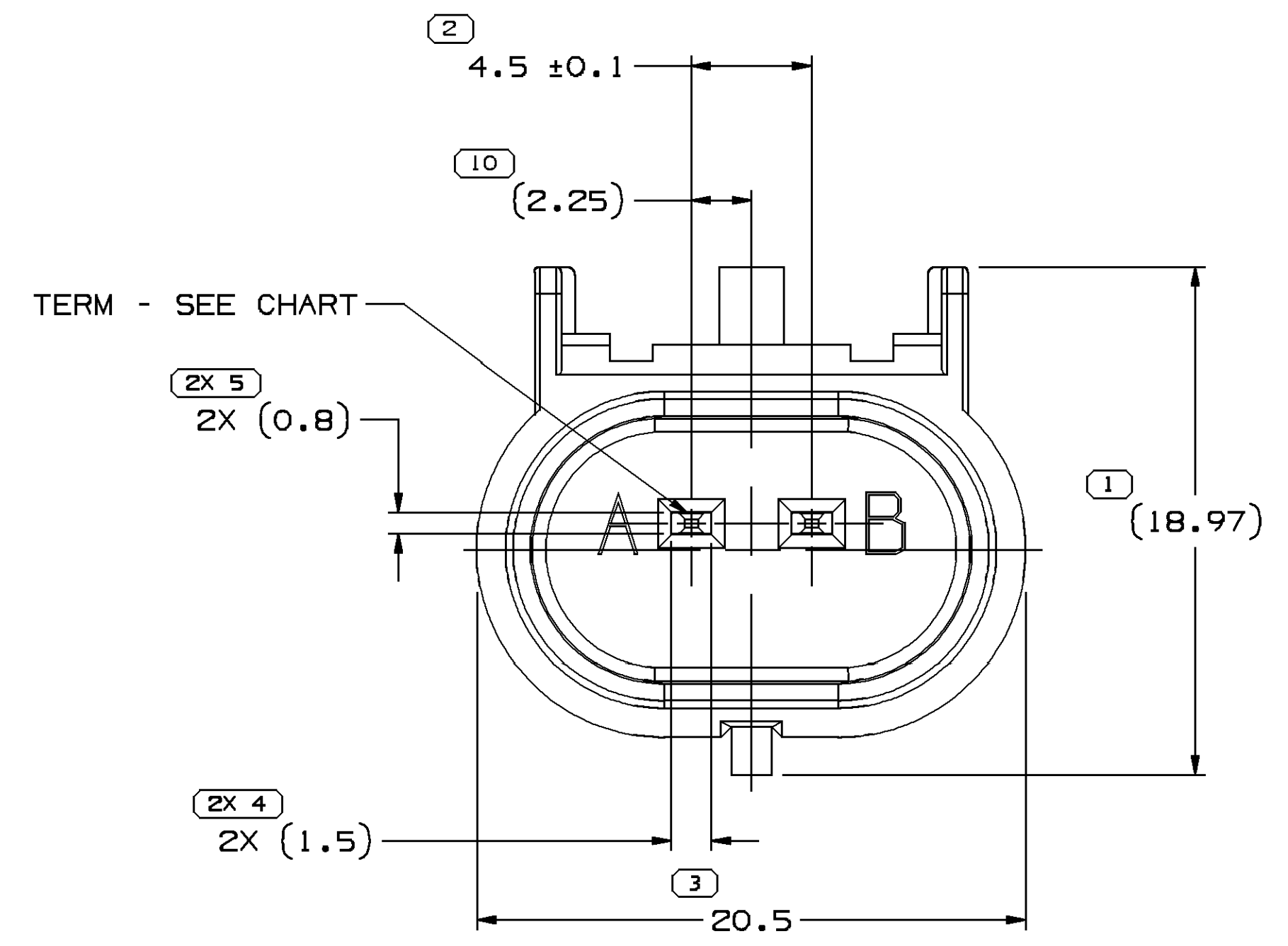
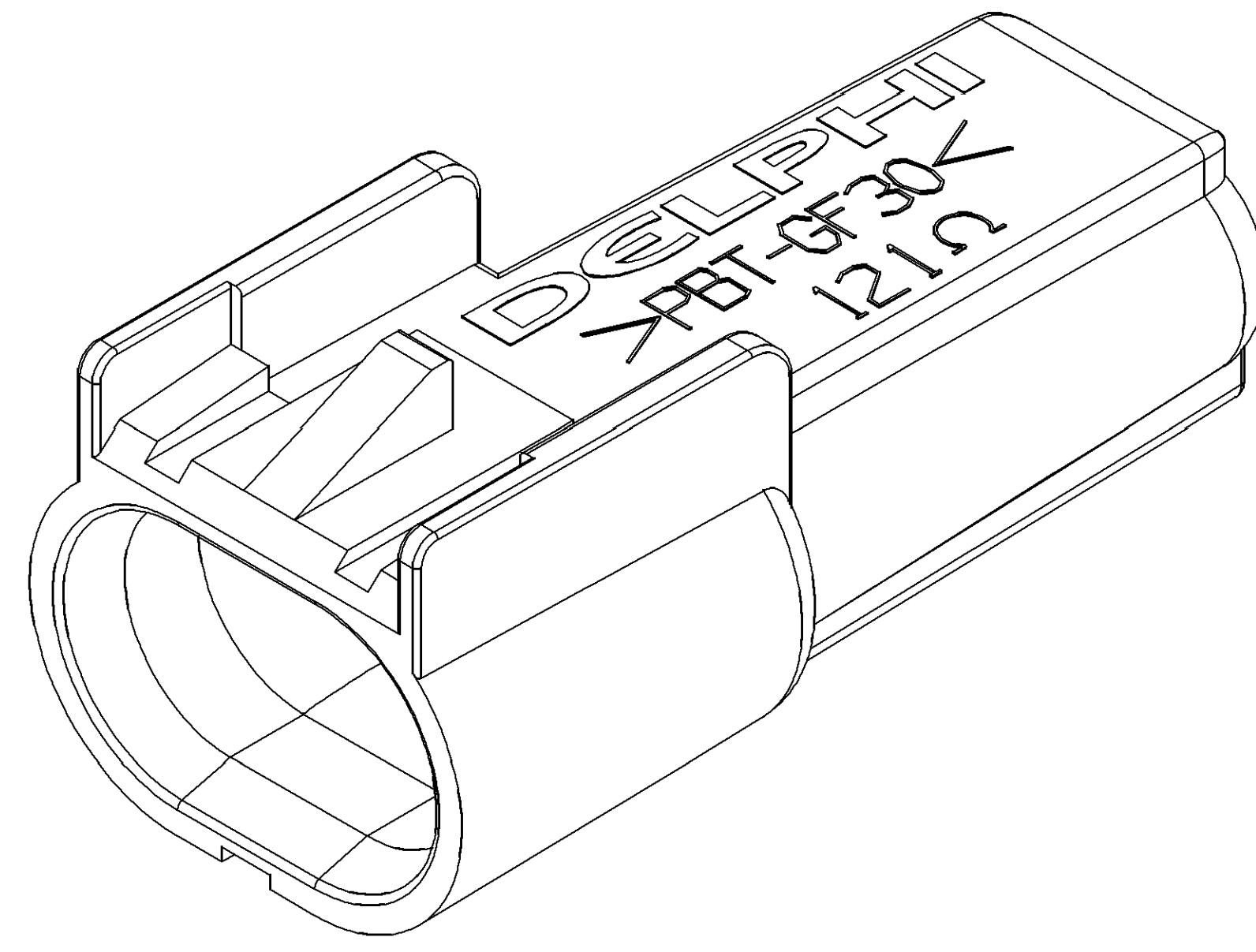
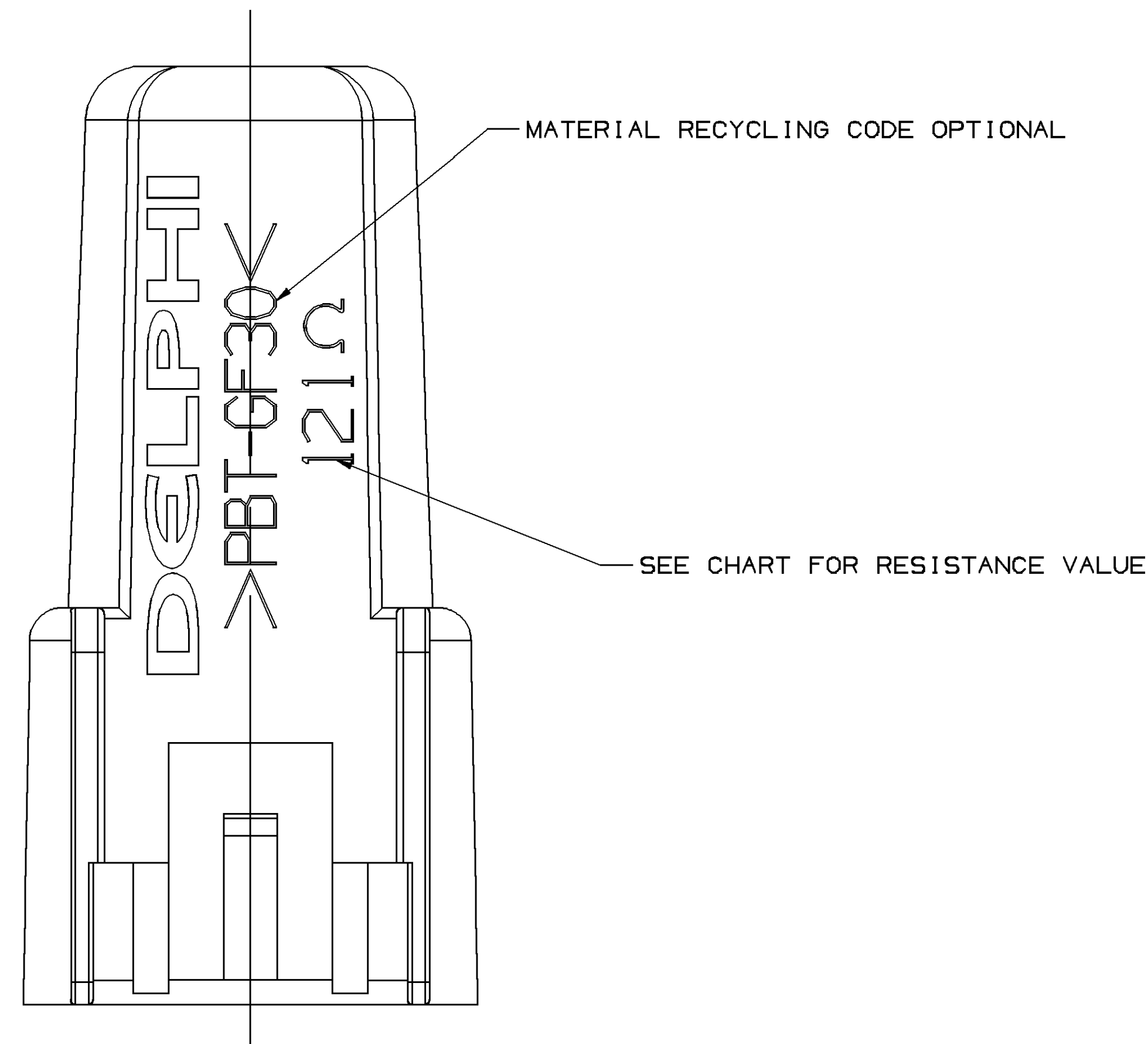


SYMBOL DEFINITION		MISSING SYMBOLS	
A DIMENSION WITHOUT AN INSPECTION REPORT SYMBOL DOES NOT REQUIRE INSPECTION. IT MAY BE CONTROLLED ON THE INDIVIDUAL COMPONENT DRAWING.	TOTAL NO OF INSPECTIONS REQUIRED	NO MISSING SYMBOL NUMBER	
	12		
	LAST NO. USED		
	10		

DWS STATUS				REVISION HISTORY				AUTH		DR		AP/VD/APP/2	
DATE	STG	REV	N/P	CHG	ZONE								
29JUL05	R	01	-	-		15459045 - MOVED TO TAXI; ALL PARTS - RELEASED		270573	AKJ	AKJ	RC		
04NOV05	R	02	-	-		ALL PARTS - ADDED TYPE 101		273978	MM	MM	RC		
12JUL06	R	03	-	-		ALL PARTS - UPDATED PDM ATTRIBUTES		282292	MM	MM	RC		
28AUG06	R	04	-	-		15429045 - ADDED 13549070 RESISTOR & REMOVED 15455931 TERM/RESISTOR ASM 13534887 - RESISTOR WAS 135346294 13534888 - RESISTOR WAS 135346301 13534889 - RESISTOR WAS 135346311 13534890 - RESISTOR WAS 135346321 13534891 - RESISTOR WAS 135346331 13534892 - RESISTOR WAS 135346341 13534893 - RESISTOR WAS 135346351 13534894 - RESISTOR WAS 135346361 13534895 - RESISTOR WAS 135346371 ALL PARTS - REMOVED TERM/RESISTOR ASM HEADER FROM THE CHART		283575	EES	EES	GR		
20SEP06	R	05	-	-		ALL PARTS - UPDATED PDM ATTRIBUTES		284867	JTZ	FRG	REB		
11JUN07	R	06	-	-		ALL PARTS - REVISED TERMINAL GRAPHICS TO LATEST REVISION		401644	RH	RH	GR		
10SEP08	R	07	-	-		ALL PARTS - ADDED SLEEVE 13662530 TO ASM		405877	JS	JS	KDM		
17SEP10	R	08	-	-		ALL PARTS - SLEEVE P/N 13816192 WAS 13662530		411972	AGM	JVM	JCO		
27MAY11	R	09	-	-		13853078 & 13853079 - RELEASED		414404	FPE	RGC	FPE		
20JUL11	R	10	-	-		ALL PARTS - SLEEVE WAS 13816192		414858	HRS	HRS	VMR		
29JUL11	R	11	-	-		ALL PARTS - SLEEVE WAS 13662530		414977	HRS	HRS	OAF		
24OCT11	R	12	-	-		13923432 & 13924569 - RELEASED		415734	AJP	JAA	DAB		
07NOV11	R	13	-	-		13923432 - REVISED		416077	DAB	PTB	DAB		
03FEB12	R	14	-	-		13924569 - REVISED		416975	EGH	EGH	EGH		
22JAN13	R	15	-	-		15510071 - RELEASED; 13923432 & 13853078 - UPDATED PART AVAILABILITY		421178	JTV	JTV	EDA		
28MAY13	R	16	-	-		15510071 - UPDATED PART AVAILABILITY		421939	EDA	EDA	EDA		
09SEP14	R	17	-	-		33183322, 33183323 - RELEASED		427519	AHG	MEA	MEA		



TYPE 102
SAME AS TYPE 101 EXCEPT
AS SHOWN

NOTES

- UNLESS OTHERWISE SPECIFIED AND/OR INDICATED:
DIMENSIONS ARE TO FACE OF VIEW SHOWN AND AUTOMATICALLY ROUNDED BY COMPUTER FOR INSPECTION. (SEE MATH MODEL FOR PRECISE DIMENSIONS.) FOR ALL OTHER DIMENSIONS NOT SHOWN BUT REQUIRED FOR TOOL BUILD, SEE MATH MODEL FOR PRECISE TOOL PATH DATA.
- REFERENCE MATING COMPONENTS OR EQUIVALENT:
CONNECTOR 13510085
TERMINAL 15326426, FEMALE TERMINAL MUST HAVE GOLD PLATED TERMINAL CONTACT AREA.
- MATERIAL RECYCLING CODE PER ISO 11469, (2.3)X(0.1) CHARACTERS AS SHOWN TO BE LOCATED ON ANY EXTERIOR SURFACE.
- (2.3)X(0.1) DELPHI CORPORATE BRAND TO BE LOCATED ON ANY EXTERIOR SURFACE, PREFERABLY VISIBLE AT FINAL ASSEMBLY. OPTIONAL CONSTRUCTION FOR EXISTING TOOLING MAY BE "PED".
- THIS PRODUCT IS NOT CATEGORIZED AS AN APPEARANCE ITEM. MINOR IMPERFECTIONS INCLUDING, BUT NOT LIMITED TO, FLOW MARKS, COLOR BLEMISHES, GATE VESTIGES, AND SOFT FLASH THAT DO NOT AFFECT THE FIT, FORM, OR FUNCTION OF THE PART ARE PERMISSIBLE PER DPNP-4.7-CS-01.

PART NO	REV	N/P	TYPE	TERMINAL	RESISTOR	SLEEVE (2 PLCS)	RESISTANCE VALUE (OHMS ±1%)	RESISTANCE VALUE (OHMS ±5%)	MATERIAL SPECIFICATION AND COLOR	VOLUME CM ³
33183323	01	-	102	15455930	33183321	13816192	-	1200	POLYESTER COMPOUND BLACK	5.859
33183322	01	-	102	15455930	33183320	13816192	-	2700	POLYESTER COMPOUND BLACK	5.859
15510071	01	AA	102	15455930	15510135	13816192	2700	-	POLYESTER COMPOUND BLACK	5.859
13924569	01	AB	103	15455930	13921531	13816192	18	-	POLYESTER COMPOUND BLACK	5.859
13923432	02	AA	102	15455930	13923431	13816192	8	-	POLYESTER COMPOUND BLACK	5.859
13853079	01	AB	102	15455930	13853076	13816192	39	-	POLYESTER COMPOUND GRAY	5.859
13853078	01	AC	102	15455930	13853075	13816192	3,000	-	POLYESTER COMPOUND BLUE	5.859
13534895	04	AD	102	15455930	13589069	13816192	12,700	-	POLYESTER COMPOUND BLACK	5.859
13534894	04	AD	102	15455930	13589068	13816192	7,320	-	POLYESTER COMPOUND BLACK	5.859
13534893	04	AD	102	15455930	13589067	13816192	3160	-	POLYESTER COMPOUND BLACK	5.859
13534892	04	AD	102	15455930	13589066	13816192	1820	-	POLYESTER COMPOUND BLACK	5.859
13534891	04	AD	102	15455930	13589065	13816192	1150	-	POLYESTER COMPOUND BLACK	5.859
13534890	04	AD	102	15455930	13589064	13816192	715	-	POLYESTER COMPOUND BLACK	5.859
13534889	04	AD	102	15455930	13589063	13816192	453	-	POLYESTER COMPOUND BLACK	5.859
13534888	04	AD	102	15455930	13589062	13816192	255	-	POLYESTER COMPOUND BLACK	5.859
13534887	04	AD	102	15455930	13589061	13816192	115	-	POLYESTER COMPOUND BLACK	5.862
15429045	04	AD	101	15455930	13589070	13816192	121	-	POLYESTER COMPOUND BLACK	5.846

DELPHI
DELPHI PACKARD ELECTRICAL/ELECTRONIC ARCHITECTURE
WARREN, OH
COPYRIGHT 2005 DELPHI CORPORATION AND/OR ITS AFFILIATES. ALL RIGHTS RESERVED. REVISED: 05/04

THIS DRAWING IS THE PROPERTY OF DELPHI CORPORATION AND CONTAINS DELPHI CONFIDENTIAL INFORMATION. THE REPRODUCTION, DISTRIBUTION AND UTILIZATION OF THIS DOCUMENT OR ITS CONTENTS TO ANY OTHERS, AS WELL AS COMMUNICATION OF ANY CONTENT TO OTHERS, WITHOUT EXPRESS AUTHORIZATION, IS PROHIBITED.

DATE: 29 JUL 05
AP/01 ANAND JAGANATHAN
AP/02 ANAND JAGANATHAN
AP/03 RANDY CYELBAR
AP/04

SUBSTANCE OF CONCERN AND RECYCLED CONTENT, PER DELPHI 15049001

MATERIAL SEE CHART

DRAWING NAME: TAXI ASM CONN 2 M GT 150 SLD RESISTOR

DRAWING NUMBER: 13534897

SIZE: AD SCALE: 5:1 FRAME NO: 1 OF 1 SHEET NO: 1 OF 1 STG REV: N/P 17 -

UNLESS OTHERWISE SPECIFIED THIS DOCUMENT IS IN ACCORDANCE WITH ASME Y14.5M-1994 AS MODIFIED BY THE 3D GLOBAL DIMENSIONING AND TOLERANCING ADDENDUM-2001. SEPARATE PATTERNS OF FEATURES MAY BE DIMED SEPARATELY, REGARDLESS OF DATUM REFERENCES.

ALL DIMENSIONS ARE IN MILLIMETERS

REFERENCE:

THIRD ANGLE PROJECTION

DO NOT SCALE USE MATH DATA

DIMENSIONAL RANGE (MM) CHART E1
FROM > 0 > 20 > 30 > 70 > 100 > 150 > 200 > 250 > 300
TO 20 30 70 100 150 200 250 300 400
TOLERANCE UNLESS OTHERWISE SPECIFIED
±0.15 | ±0.2 | ±0.3 | ±0.4 | ±0.5 | ±0.6 | ±0.8 | ±1 | ±1.2
ANGULAR TOLERANCE ±2°

PROCESS SENSITIVE DIMENSION

DIMENSIONS ENCLOSED IN () INDICATE REFERENCE DIMENSIONS AND NO TOLERANCE LIMITS ARE ESTABLISHED

X-ON Electronics

Largest Supplier of Electrical and Electronic Components

Click to view similar products for [Automotive Connectors](#) category:

Click to view products by [Delphi](#) manufacturer:

Other Similar products are found below :

[003-018-000](#) [600858](#) [60403001](#) [60993906-B](#) [60993913-B](#) [629515004020001](#) [M902-2131](#) [M902-2161](#) [M902-2344](#) [72.330.1035.1](#)
[73.353.4028.0](#) [F118010](#) [F119300-B](#) [F132210](#) [F132210-B](#) [F166900](#) [F180100](#) [F258300](#) [F258300-B](#) [F294300-B](#) [F339100](#) [F339700](#) [F358300-](#)
[B](#) [F374110](#) [F407400](#) [F412210](#) [F427600](#) [F444110](#) [F487000](#) [F495100-B](#) [F500900-B](#) [F509500B-B](#) [770444-1](#) [776880-1](#) [827153-1](#) [881735-1](#)
[8N1515-32-24P](#) [9-1326727-8](#) [9-1326729-8](#) [925467-1](#) [925474-1](#) [928905-1](#) [936398-2](#) [964562-1](#) [964562-4](#) [964731-2](#) [965051-1](#) [968782-1](#)
[GT17SA-8DS-HU](#) [GT17VS-10DP-5.2CF](#)