

HV RCS 890 SERIES



RCS 890 2W 90° with HVIL

BENEFITS

- Easy to assemble with integrated ErgoMate™ Axial Mating Assist System on harness connector
- Compact package with unique integrated electric interlock

FEATURES

- Bundle shielding with external braid
- Dual sealing connection system: mated and unmated header
- Panel mount to device with face seal to module
- Two-stage disconnect for safe unmating



AVAILABLE CONFIGURATIONS

Connector Type	Wire-to-device
Cable Exit Orientation	90°
Cable Range (mm ²)	35 - 50 power circuit; 0.5 - 0.75 HVIL
Terminal Type	8 mm round contact system
# of Power Terminals	2
Shielding	Bundle
HVIL	Shunt on female
Assembly Assurance	CPA
Number of Indexes	1
Header Footprint (mm)	85 x 55.9

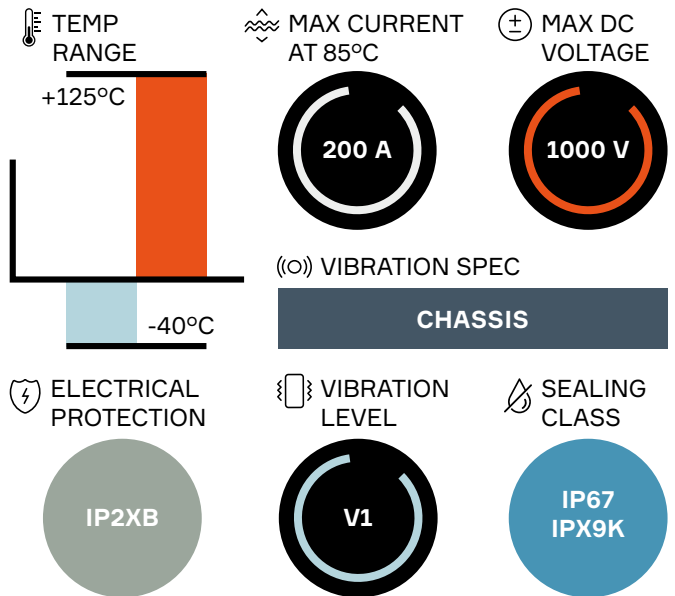


APPLICATIONS

Inverter, battery, junction box, and power electric box



TECHNICAL CHARACTERISTICS

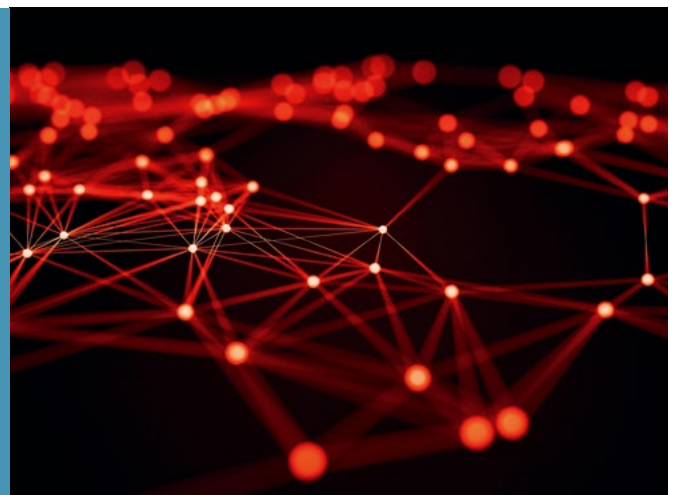


See back page for representative part numbers and packaging dimensions.

About Aptiv

Aptiv is a global technology company that develops safer, greener and more connected solutions enabling the future of mobility. Headquartered in Dublin, Aptiv has approximately 150,000 employees and operates 14 technical centers, as well as manufacturing sites and customer support centers in 45 countries.

Visit aptiv.com



Index	Header Connector	Mating Information
		HV Connector
1	33503821	33511750

ASSOCIATED PARTS

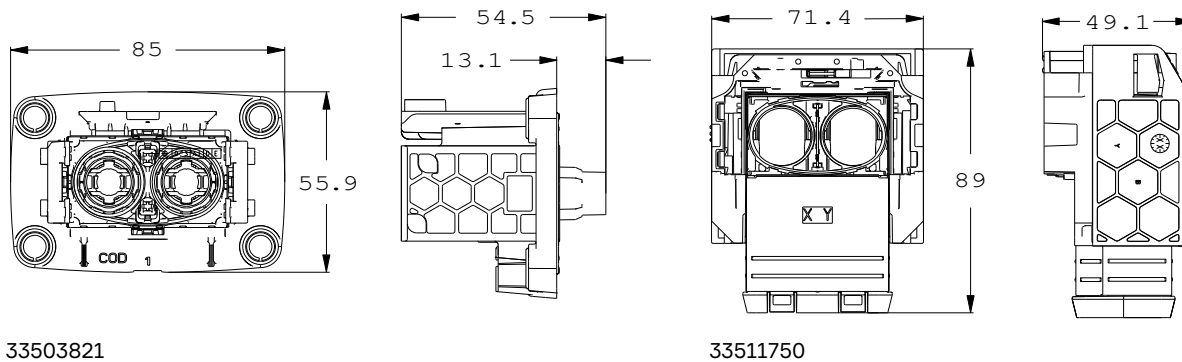
Header

Part number	Description
33512193	RCS 800/890 male pin terminal silver version standard length
33511746	RCS 800/890 male pin terminal silver version V1 length
33511747	RCS 800/890 male pin terminal silver version V2 length
10811962	DCS2 1.5 gold-plated female terminal 0.5 - 1.0 mm ²
15441379	DCS 1.5 male red single wire seal 0.22 - 0.5 mm ²
15441380	DCS 1.5 male grey single wire seal 0.75 - 1.0 mm ²

Mating Connector

Part number	Description
33502217	RCS890 female terminal silver version 35 - 50 mm ²
33511754	RCS890 2-way female single wire seal & retainer (plug) 50 mm ²
33511753	RCS890 2-way female single wire seal & retainer (plug) 35 - 40 mm ²
33504038	RCS890 2-way half clamp

DIMENSION MEASUREMENT SAMPLE



33503821

33511750

Part numbers, specifications, dimensions and performance data in this document are for general references only and are subject to change without notice. To verify product information, please contact an Aptiv representative.

X-ON Electronics

Largest Supplier of Electrical and Electronic Components

Click to view similar products for [Automotive Connectors](#) category:

Click to view products by [Delphi](#) manufacturer:

Other Similar products are found below :

[003-018-000](#) [600858](#) [60403001](#) [60993906-B](#) [60993913-B](#) [629515004020001](#) [M902-2131](#) [M902-2161](#) [M902-2344](#) [72.330.1035.1](#)
[73.353.4028.0](#) [F118010](#) [F119300-B](#) [F132210](#) [F132210-B](#) [F166900](#) [F180100](#) [F258300](#) [F258300-B](#) [F294300-B](#) [F339100](#) [F339700](#) [F358300-](#)
[B](#) [F374110](#) [F407400](#) [F412210](#) [F427600](#) [F444110](#) [F487000](#) [F495100-B](#) [F500900-B](#) [F509500B-B](#) [770444-1](#) [776880-1](#) [827153-1](#) [881735-1](#)
[8N1515-32-24P](#) [9-1326727-8](#) [9-1326729-8](#) [925467-1](#) [925474-1](#) [928905-1](#) [936398-2](#) [964562-1](#) [964562-4](#) [964731-2](#) [965051-1](#) [968782-1](#)
[GT17SA-8DS-HU](#) [GT17VS-10DP-5.2CF](#)