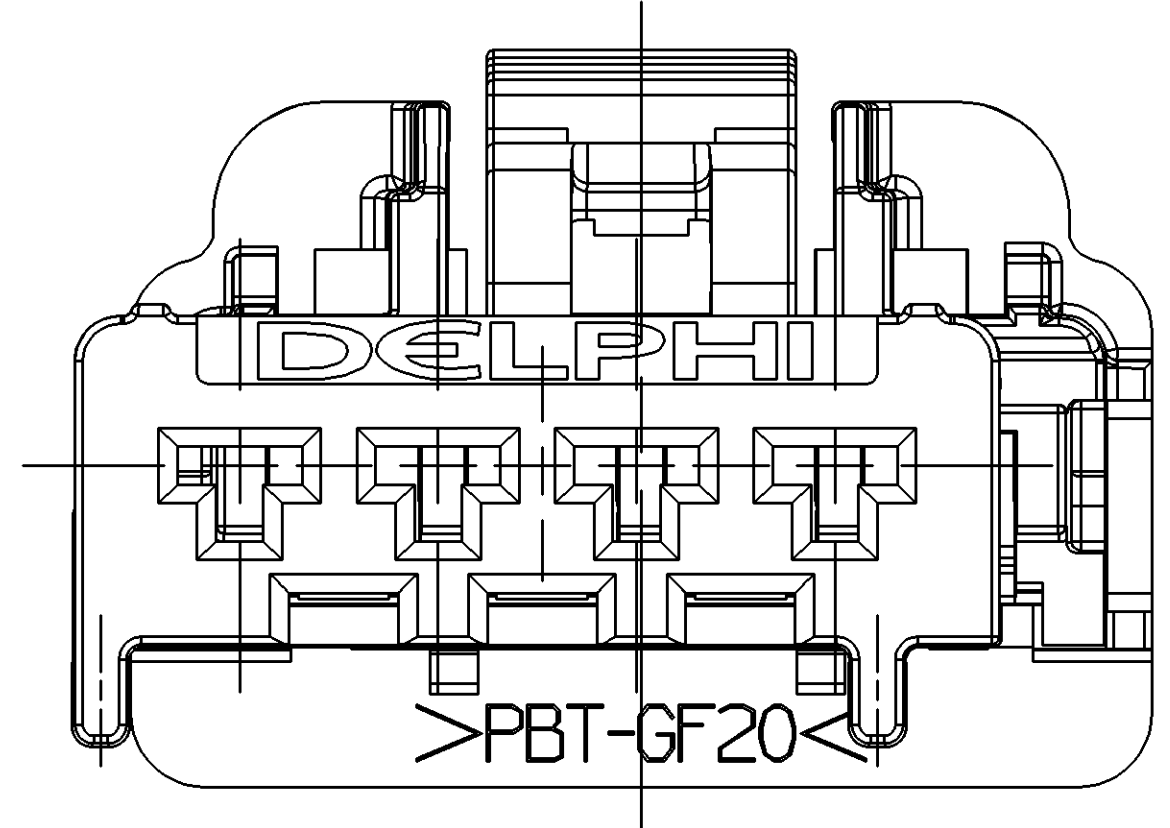
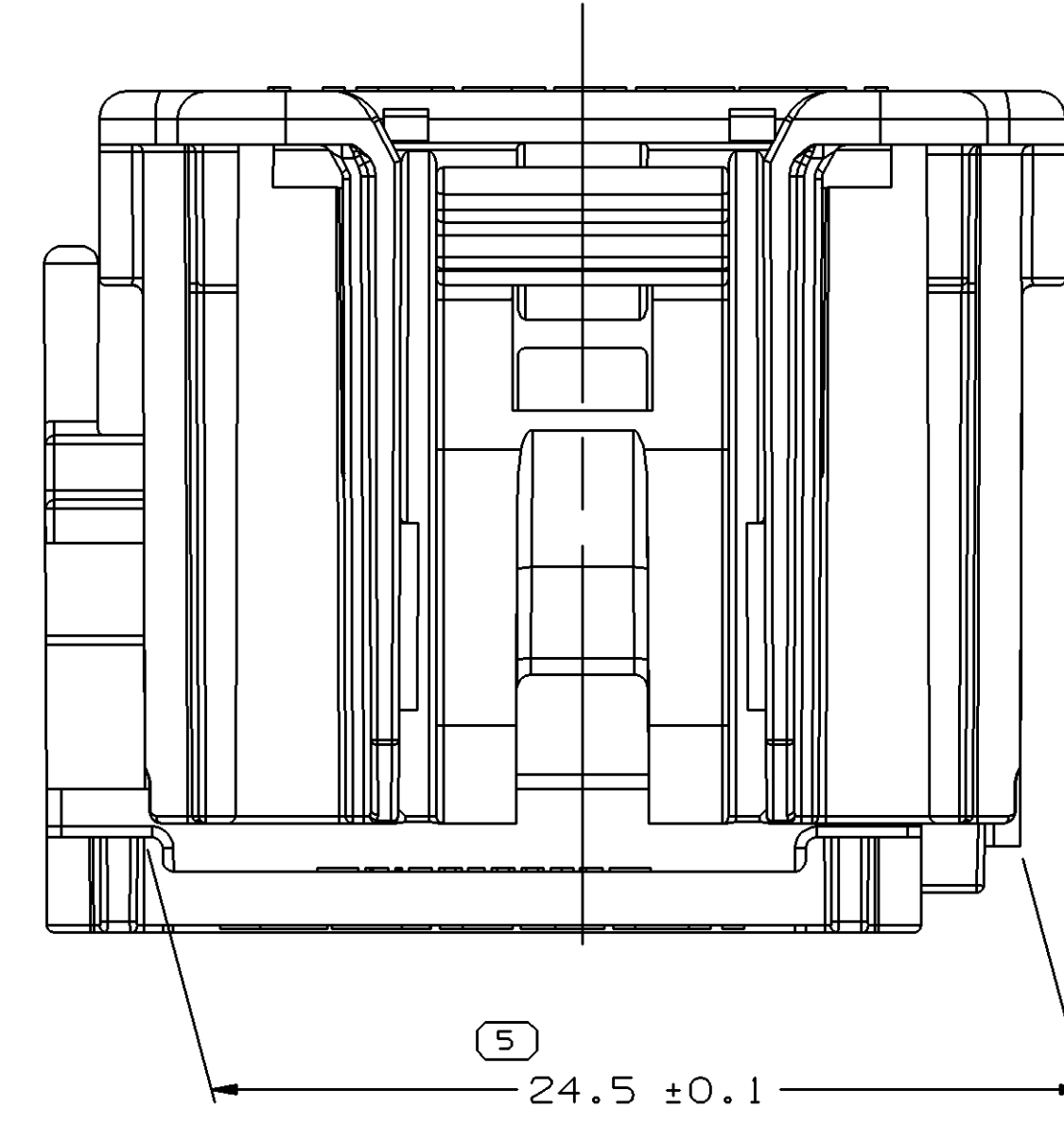
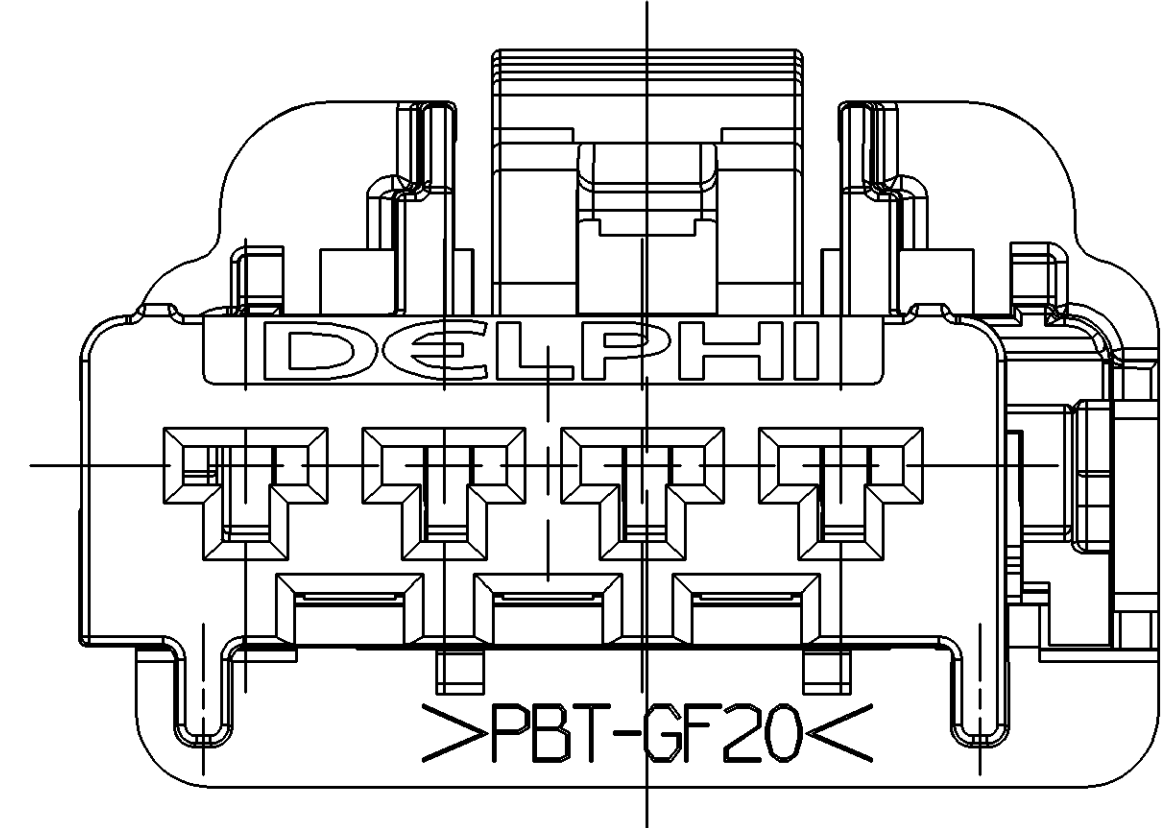


SYMBOL DEFINITION		TOTAL NO OF INSPECTIONS REQUIRED		MISSING SYMBOLS	
A DIMENSION WITHOUT AN INSPECTION REPORT SYMBOL DOES NOT REQUIRE INSPECTION. IT MAY BE CONTROLLED ON THE INDIVIDUAL COMPONENT DRAWING.		14		NO MISSING SYMBOL NUMBER	
		11			

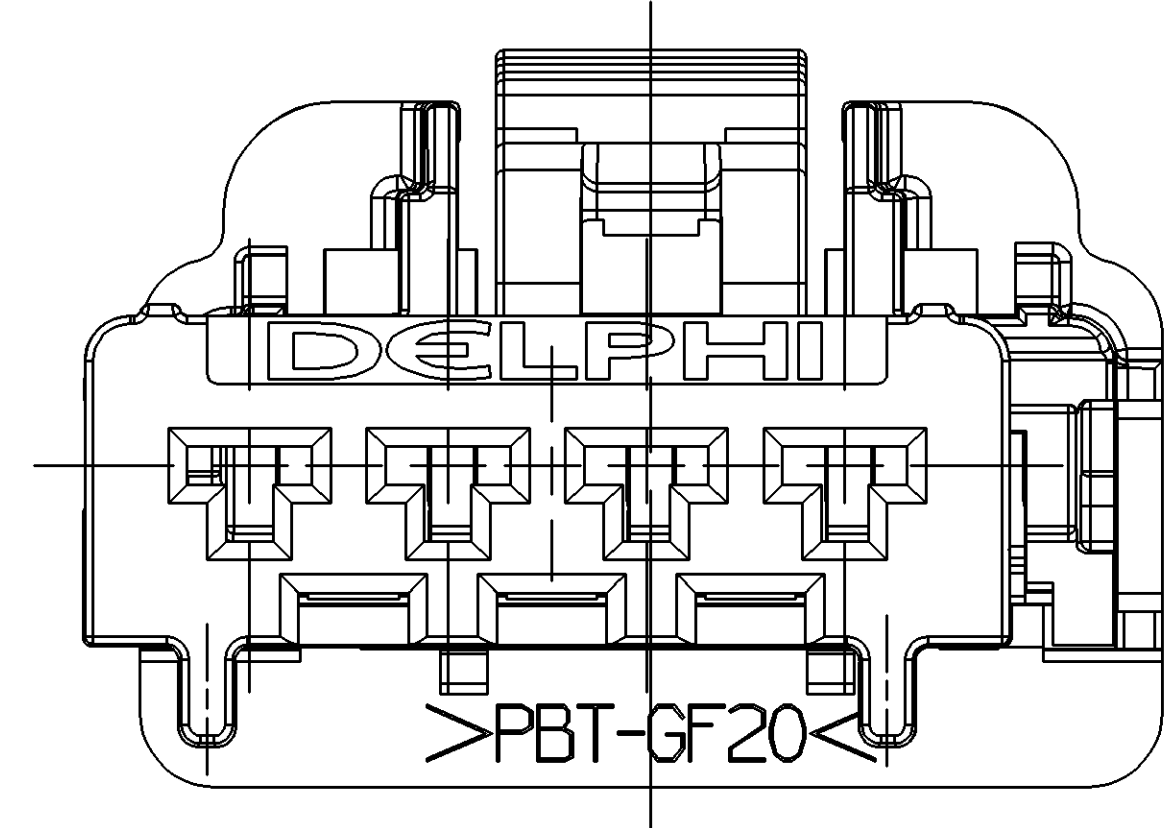
DWO STATUS						REVISION HISTORY				AUTH			
DATE	STG	REV	N/P	CHG	ZONE	DATE	BY	REV	NO	REV	NO	REV	NO
29SE03	R	01	-	-		15466671	WAS	PE118734	AND	RELEASED	246430	ADK	EES
18FE04	R	02	-	-		15466671	-	REVISED	GRAPHICS	15489152, 15489154, 15489156	-	RELEASED	251745
22DE04	R	03	-	-		ALL PARTS - REVISED GRAPHICS OF SLC				262640	FKV	FKV	MEF



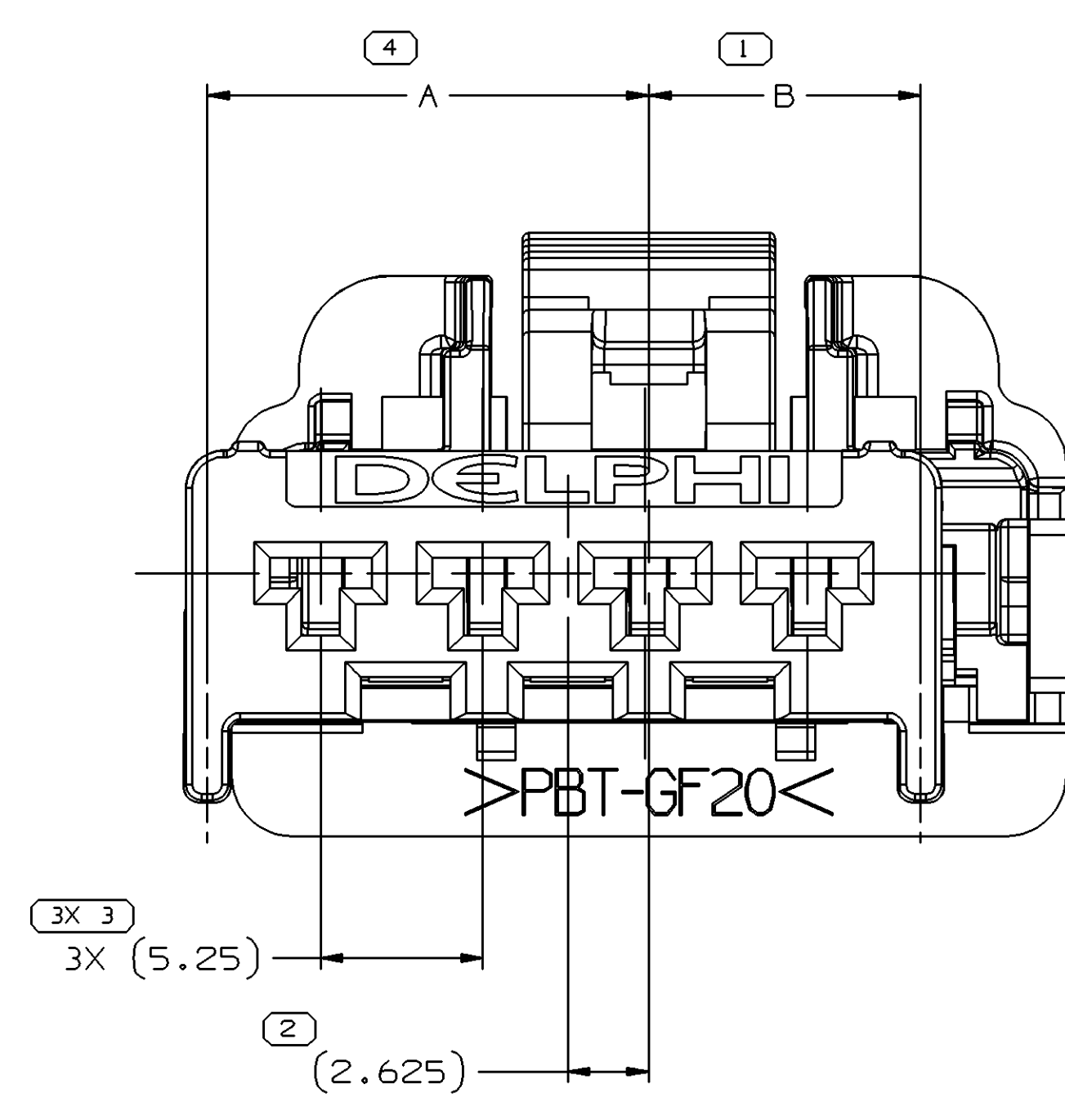
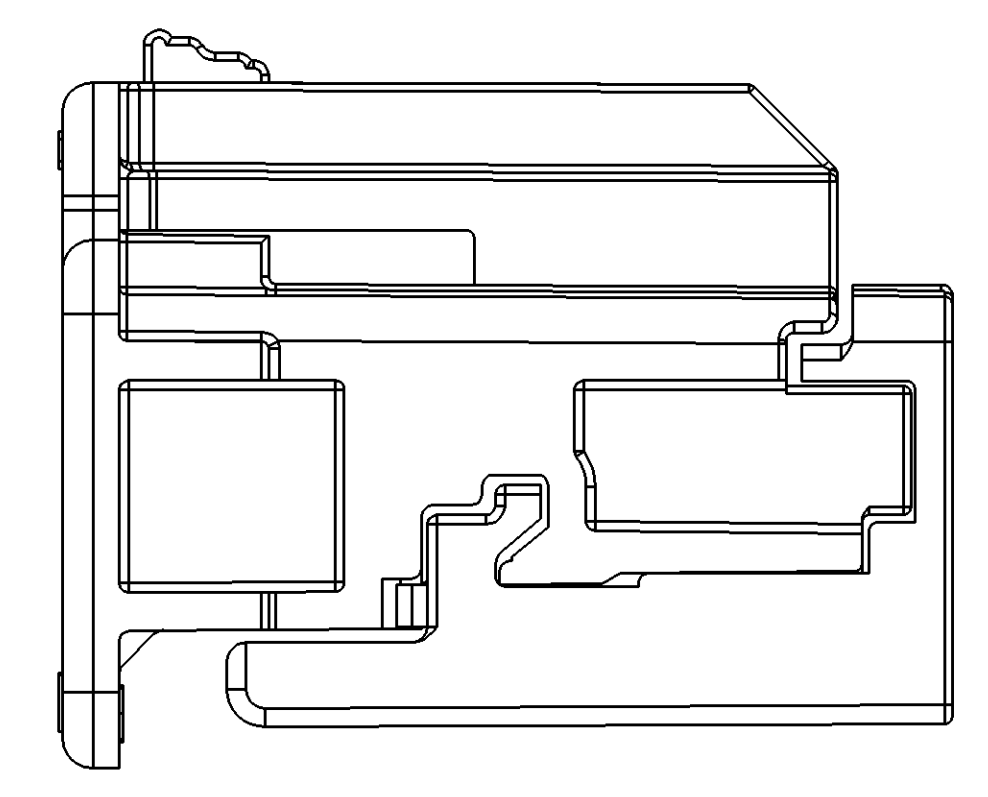
TYPE 102  
SAME AS TYPE 101  
EXCEPT AS SHOWN



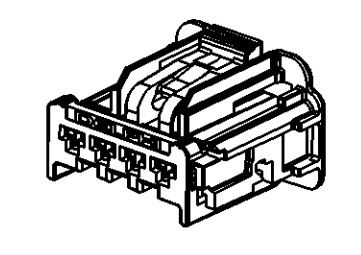
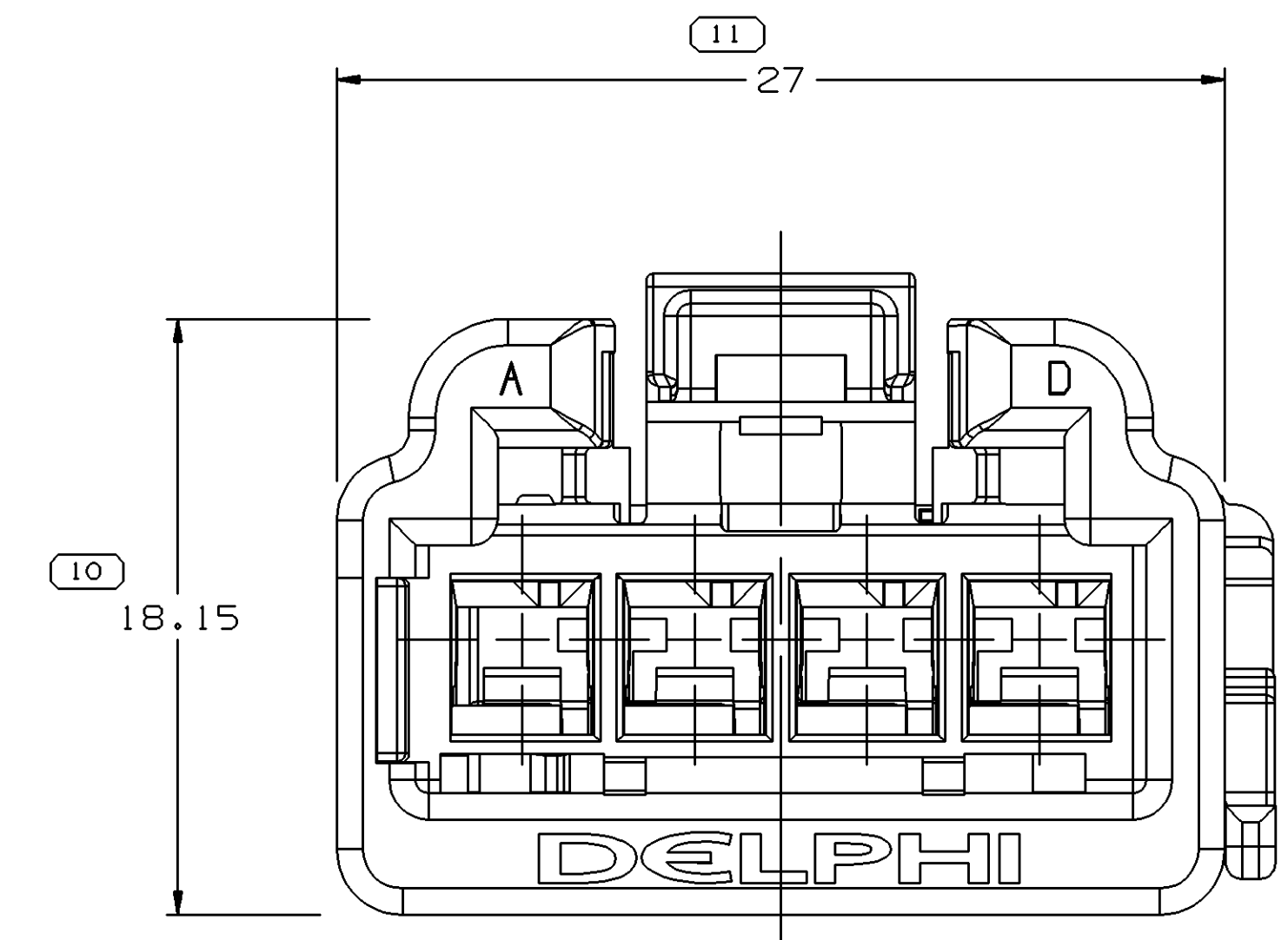
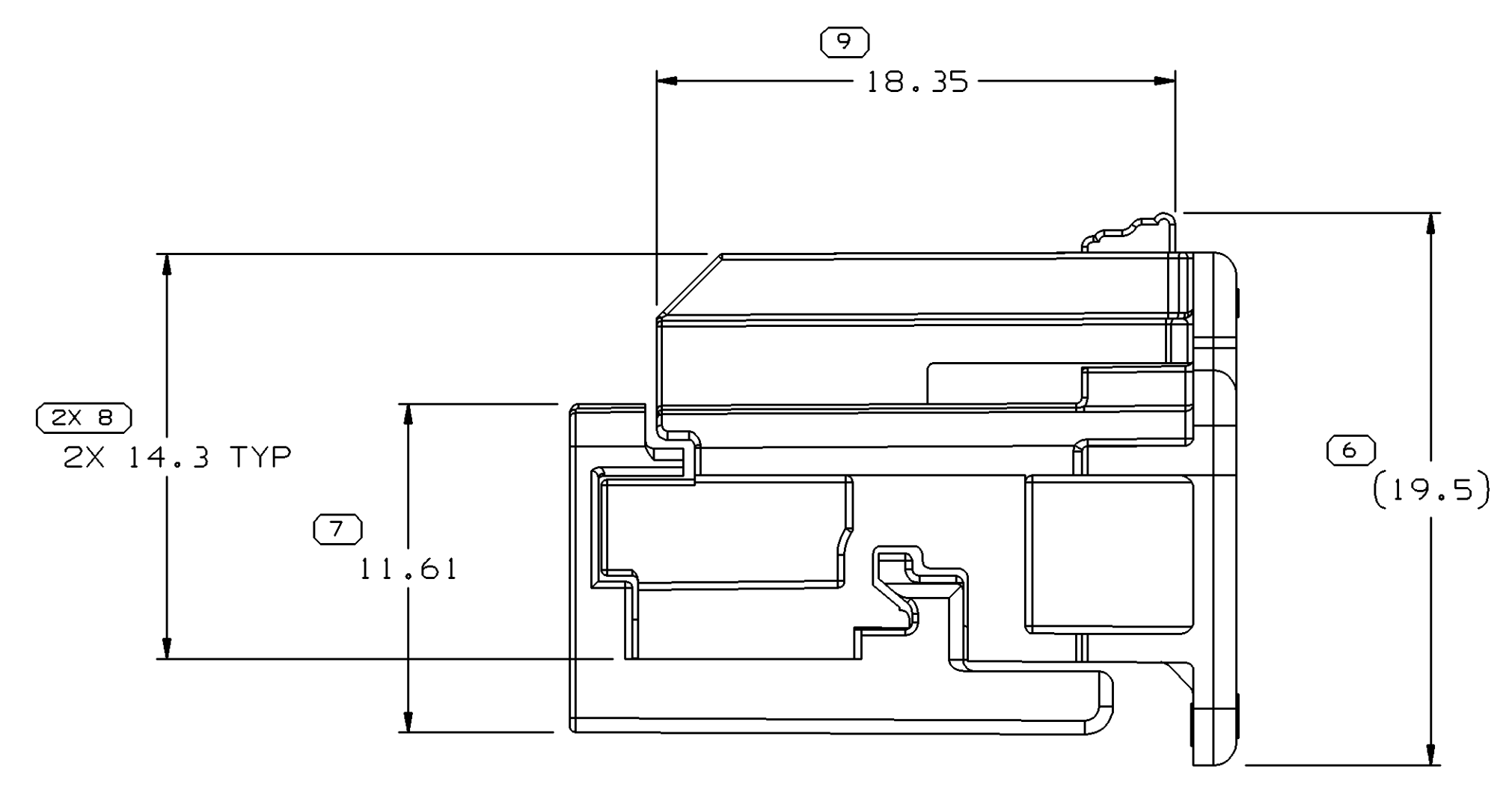
TYPE 103  
SAME AS TYPE 101  
EXCEPT AS SHOWN



TYPE 104  
SAME AS TYPE 101  
EXCEPT AS SHOWN



TYPE 101



- NOTES
- UNLESS OTHERWISE SPECIFIED AND/OR INDICATED: DIMENSIONS ARE TO FACE OF VIEW SHOWN AND AUTOMATICALLY ROUNDED BY COMPUTER FOR INSPECTION (SEE MATH MODEL FOR PRECISE DIMENSIONS). FOR ALL OTHER DIMENSIONS NOT SHOWN BUT REQUIRED FOR TOOL BUILD, SEE MATH MODEL FOR PRECISE TOOL PATH DATA.
  - SEALING CODE 0 - UNSEALED
  - MATING COMPONENTS OR EQUIVALENT:  
TERMINAL 15304712  
CPA 15477038
  - FOR MATING CONFIGURATION REQUIREMENTS SEE 15466675.

PART NO	REV	N/P	STATUS	TYPE	A	B	CONNECTOR	SLC	USCAR TYPE
15489156	02	-		104	11.75	6.25	15466670	15489155	D
15489154	02	-		103	11.75	8.8	15466670	15489153	C
15489152	02	-		102	14.3	6.25	15466670	15489151	B
15466671	03	-		101	14.3	8.8	15466670	15466673	A

DIMENSIONAL RANGE (MM)		TOLERANCE		CHART	
FROM	TO	±	ANGULAR TOLERANCE	ET	ET
> 0	> 20	> 0.10	> 0.10	> 0.10	> 0.10
> 20	> 30	> 0.15	> 0.15	> 0.15	> 0.15
> 30	> 50	> 0.20	> 0.20	> 0.20	> 0.20
> 50	> 100	> 0.30	> 0.30	> 0.30	> 0.30
> 100	> 200	> 0.40	> 0.40	> 0.40	> 0.40
> 200	> 300	> 0.50	> 0.50	> 0.50	> 0.50
> 300	> 400	> 0.60	> 0.60	> 0.60	> 0.60

**DELPHI**  
DELPHI PACKARD ELECTRIC SYSTEMS  
WARREN, OH

DATE: \_\_\_\_\_

DR: \_\_\_\_\_

APVD1: ADAM D. KIMBERLIN 29SE03

APVD2: ADAM D. KIMBERLIN 29SE03

APVD3: M. FRANCIS 29SE03

APVD4: \_\_\_\_\_

APVD5: \_\_\_\_\_

SUBSTANCES OF CONCERN AND RECYCLED CONTENT PER DELPHI 10949001

MATERIAL SEC CHART

DRAWING NAME: TAXI ASM CONN 4 F GT 280

DRAWING NUMBER: 15466672

SIZE: A0 SCALE: 5:1 FRAME NO: 1 OF 1 SHEET NO: 1 OF 1 REV: N/P

## X-ON Electronics

Largest Supplier of Electrical and Electronic Components

*Click to view similar products for [Automotive Connectors](#) category:*

*Click to view products by [Delphi](#) manufacturer:*

Other Similar products are found below :

[003-018-000](#) [600858](#) [60403001](#) [60993906-B](#) [60993913-B](#) [629515004020001](#) [M902-2131](#) [M902-2161](#) [M902-2344](#) [72.330.1035.1](#)  
[73.353.4028.0](#) [F118010](#) [F119300-B](#) [F132210](#) [F132210-B](#) [F166900](#) [F180100](#) [F258300](#) [F258300-B](#) [F294300-B](#) [F339100](#) [F339700](#) [F358300-](#)  
[B](#) [F374110](#) [F407400](#) [F412210](#) [F427600](#) [F444110](#) [F487000](#) [F495100-B](#) [F500900-B](#) [F509500B-B](#) [770444-1](#) [776880-1](#) [827153-1](#) [881735-1](#)  
[8N1515-32-24P](#) [9-1326727-8](#) [9-1326729-8](#) [925467-1](#) [925474-1](#) [928905-1](#) [936398-2](#) [964562-1](#) [964562-4](#) [964731-2](#) [965051-1](#) [968782-1](#)  
[GT17SA-8DS-HU](#) [GT17VS-10DP-5.2CF](#)