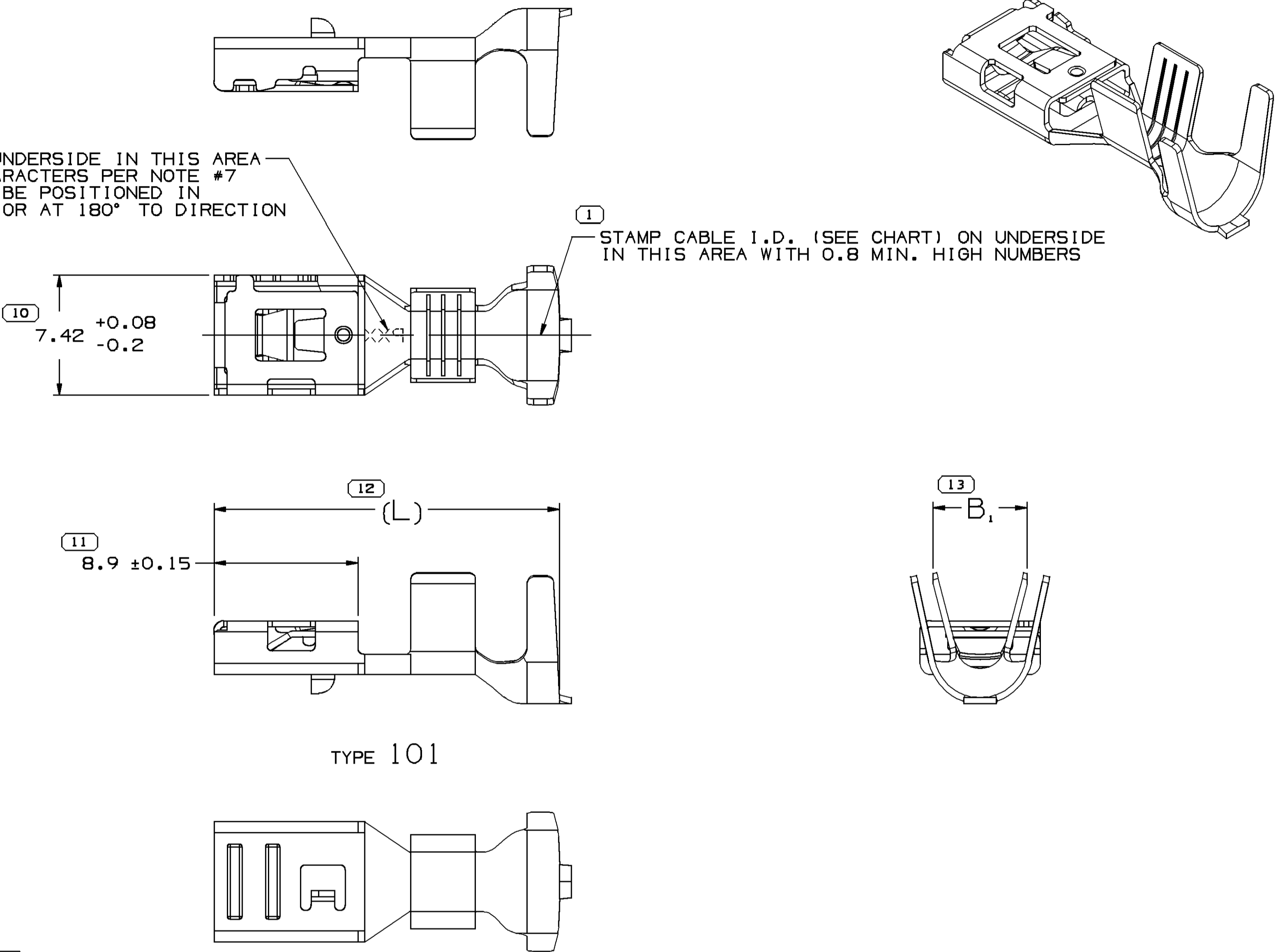


SYMBOL DEFINITION		MISSING SYMBOLS	
A DIMENSION WITHOUT AN INSPECTION REPORT SYMBOL DOES NOT REQUIRE INSPECTION. IT MAY BE CONTROLLED ON THE INDIVIDUAL COMPONENT DRAWING.	TOTAL NO OF INSPECTIONS REQUIRED	5-9	9
	LAST NO. USED		14

DWG STATUS				REVISION HISTORY				AUTH		DR		APVD	
DATE	STG	REV	N/P	CHG	ZONE								
10DE02	R	01	-	-		15476168 WAS PE068949 AND RELEASED		234532	EES	EES	EJH		
06AU03	R	02	-	-		15476168 WAS PE068952 AND RELEASED; UPDATED PDM ATTRIBUTES		243974	ADK	ADK	EJH		
15DE03	R	03	-	-		ALL PARTS - REMOVED ASM DIMS (2 PLCS), UPDATED PDM ATTRIBUTES 15476168 - REVISED GRAPHICS		249883	EES	EES	EJH		
21JN04	R	04	-	-		ALL PARTS - ADDED NOTE #5		256228	EES	EES	GR		
12JA05	R	05	-	-		13519885 - RELEASED		263105	CCV	JVM	GR		
10MY05	R	06	-	-		13519885 - INACTIVE		267888	GLG	JVM	GR		
12AP10	R	07	-	-		ALL ACTIVE PARTS - UPDATED PDM ATTRIBUTES		410478	JRL	JRL	MAC		
24OC11	R	08	-	-		15455571 & 15476168 - ADDED TARNISH NOTE		415860	MAL	MAL	OAF		
06JA12	R	09	-	-		ALL PARTS - DIM 10 WAS 7.42 ± 0.08 AND UPDATED MAT'L CALLOUT		416635	MAB	MAB	RAP		
03AU12	R	10	-	-		ALL PARTS - ADDED "PREFERRED MAT'L SIZE" COLUMN		419113	AHY	JVM	OAF		
30MY13	R	11	-	-		13519885 - SIZE MM² WAS 0.8-1 AND CABLE DIA WAS 2.3 -1.7		422691	CAR	JVM	YVH		
01AU13	R	12	-	-		13519885 - REVISION 02AB WAS 03 AUTH NUMBER 422691; 13519885 - SIZE MM² WAS 0.8-1 AND CABLE DIA WAS 2.3 -1.7		423439	YVH	YVH	CDL		
04NO13	R	13	-	-		13519885 - CABLE ID WAS 17		424486	YVH	YVH	CDL		
17FE14	R	14	-	-		13519885 - UPDATED PART AVAILABILITY		425566	YVH	YVH	CDL		

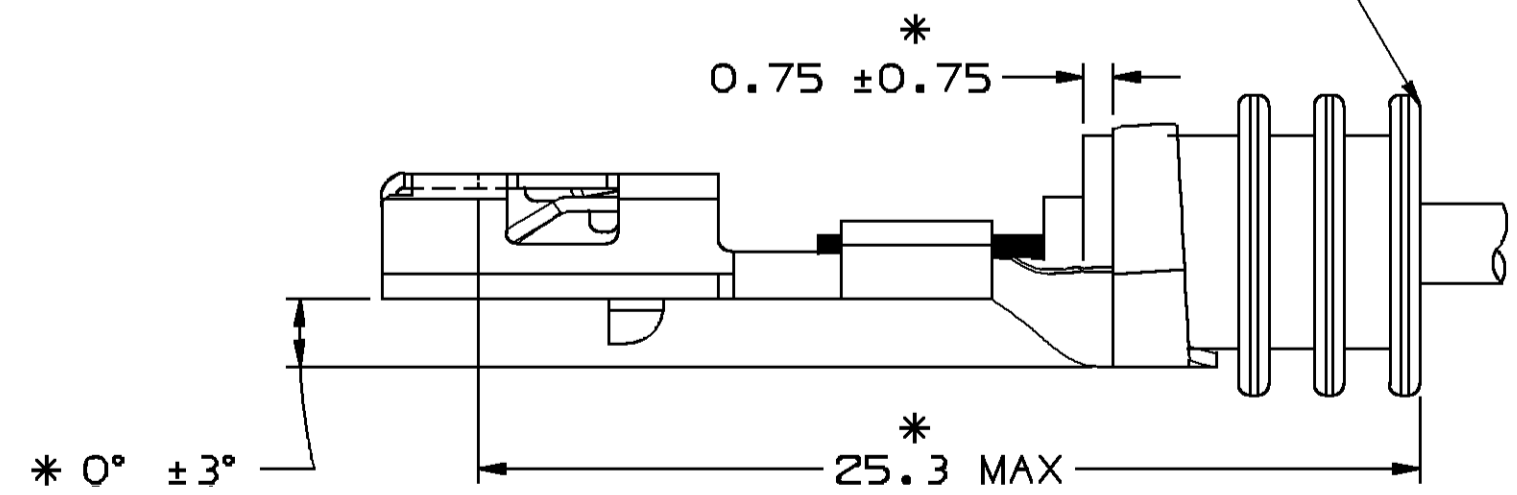
14 STAMP 'PXX' ON UNDERSIDE IN THIS AREA 0.8 MIN HIGH CHARACTERS PER NOTE #7 CHARACTERS MUST BE POSITIONED IN DIRECTION SHOWN OR AT 180° TO DIRECTION SHOWN

1 STAMP CABLE I.D. (SEE CHART) ON UNDERSIDE IN THIS AREA WITH 0.8 MIN. HIGH NUMBERS



TYPE 101

FOR SEAL INFORMATION SEE DRAWING 12010295 SHEET #2



TERMINAL, SEAL AND CABLE ALIGNMENT VIEW

NOTES

- \* DENOTES DIMENSIONS MADE AT CUT-OFF AND CRIMP DIE.
- RECOMMENDED MATING BLADE: WIDTH 6.4/6.2, THICKNESS 0.83/0.77 & LENGTH 8.4/8.6.
- MATING TERMINAL TBD OR EQUIVALENT
- UNLESS OTHERWISE SPECIFIED AND/OR INDICATED:  
DIMENSIONS ARE TO FACE OF VIEW SHOWN AND AUTOMATICALLY ROUNDED BY COMPUTER FOR INSPECTION (SEE MATH MODEL FOR PRECISE DIMENSIONS). FOR ALL OTHER DIMENSIONS NOT SHOWN BUT REQUIRED FOR TOOL BUILD, SEE MATH MODEL FOR PRECISE TOOL PATH DATA.
- PACKAGING REQUIREMENTS:  
A. TERMINALS ON REELS TO USE SILVER SAVER NT TARNISH PAPER INTERLEAF.  
B. TERMINALS ON REELS TO BE PACKAGED IN PASSIVATED CARDBORD BOXES.
- DO NOT PROBE, TEST OR OTHERWISE CONTACT THE INTERIOR REGION (THE SPRING OR ANY MOVING PART) OF THIS TERMINAL. SEVERE DAMAGE CAN OCCUR, COMPROMISING THE PERFORMANCE OF THE ELECTRICAL INTERFACE.
- "PXX" INDICATES "P" PLUS LAST TWO DIGITS OF MAKE DIE SERIES NUMBER (P01, P02, P03, ETC).
- TARNISH CAN BE DEVELOP IF TERMINALS ARE EXPOSED TO THE ENVIRONMENT, TARNISH WILL NOT AFFECT FIT/FUNCTION OF THE PART.

PART NO	REV	N/P	PREFERRED MAT'L SIZE	ALTERNATIVE MAT'L SIZE	MAT'L SPEC	SIZE (MM²)	ID	DIA	TYPE	(L)	B <sub>1</sub> ± 0.2
13519885	02	AE	0.38 X 29.09	0.38 X 29.76	AG PLATED COPPER ALLOY	0.8 - 1	18	2.3 - 1.7	101	21.35	3.1
15476168	02	AA	0.38 X 29.09	0.38 X 29.76	AG PLATED COPPER ALLOY	4 - 6	10	4.3 - 3.4	101	21.35	5.8
15455571	02	AA	0.38 X 29.09	0.38 X 29.76	AG PLATED COPPER ALLOY	2 - 3	13	3.2 - 2.5	101	21.35	4.2

10 PROCESS SENSITIVE DIMENSION	
DIMENSIONS ENCLOSED IN ( ) INDICATE REFERENCE DIMENSIONS AND NO TOLERANCE LIMITS ARE ESTABLISHED	
DIMENSIONAL RANGE (MM)	CHART 'D'
FROM 0 TO 12	> 12
TOLERANCE UNLESS OTHERWISE SPECIFIED	
±0.1	±0.2
ANGULAR TOLERANCE ±2°	

INDICATES THAT PHYSICAL PARTS ARE NOT AVAILABLE FOR ORDERING.

PART NUMBERS THAT DO NOT HAVE A LINE PRESENT INDICATE THAT PHYSICAL PARTS ARE AVAILABLE FOR ORDERING.

CONTACT DELPHI SALES TO ASSURE AVAILABILITY

DWG TYPE: PART DRAWING

STYLE: D

VOLUME (CPI): D

DISTR CODE: D

UNLESS OTHERWISE SPECIFIED

THIS DOCUMENT IS IN ACCORDANCE WITH ASME Y14.5M-1994 AS AMENDED BY THE GM GLOBAL DIMENSIONING AND TOLERANCING ADDENDUM-2001. SEPARATE PATTERNS OF FEATURES MAY BE GAGED SEPARATELY REGARDLESS OF DATUM REFERENCES.

ALL DIMENSIONS ARE IN MILLIMETERS

REFERENCE:

THIRD ANGLE PROJECTION

DO NOT SCALE

USE MATH DATA

NX

**DELPHI**  
DELPHI PACKARD ELECTRICAL/ELECTRONIC ARCHITECTURE  
WARREN, OH  
COPYRIGHT 2002 DELPHI CORPORATION AND/OR ITS AFFILIATES. ALL RIGHTS RESERVED.

THIS DRAWING IS THE PROPERTY OF DELPHI CORPORATION AND CONTAINS DELPHI CONFIDENTIAL INFORMATION. THE REPRODUCTION, DISTRIBUTION AND UTILIZATION OF THIS DOCUMENT OR ITS RELATED CAD MATH DATA, AS WELL AS COMMUNICATION OF ANY CONTENT TO OTHERS, WITHOUT EXPRESS AUTHORIZATION, IS PROHIBITED.

DWG TYPE: PART DRAWING

DATE: 10DE02

DR: E. SEIDEL

APVD1: E. SEIDEL

APVD2: E. SEIDEL

APVD3: E. HAROLDSON

APVD4:

APVD5:

SUBSTANCES OF CONCERN AND RECYCLED CONTENT PER DELPHI 10949001

MATERIAL SEE CHART

DRAWING NAME: TAXI TERM F GT 630 SEALED

DRAWING NUMBER: 15455570

SIZE: A1

SCALE: 5:1

FRAME NO: 1 OF 1

SHEET NO: 1 OF 1

STG: R

REV: 14

N/P: -

## X-ON Electronics

Largest Supplier of Electrical and Electronic Components

*Click to view similar products for [Automotive Connectors](#) category:*

*Click to view products by [Delphi](#) manufacturer:*

Other Similar products are found below :

[003-018-000](#) [600858](#) [60403001](#) [60993906-B](#) [60993913-B](#) [629515004020001](#) [M902-2131](#) [M902-2161](#) [M902-2344](#) [72.330.1035.1](#)  
[73.353.4028.0](#) [F118010](#) [F119300-B](#) [F132210](#) [F132210-B](#) [F166900](#) [F180100](#) [F258300](#) [F258300-B](#) [F294300-B](#) [F339100](#) [F339700](#) [F358300-](#)  
[B](#) [F374110](#) [F407400](#) [F412210](#) [F427600](#) [F444110](#) [F487000](#) [F495100-B](#) [F500900-B](#) [F509500B-B](#) [770444-1](#) [776880-1](#) [827153-1](#) [881735-1](#)  
[8N1515-32-24P](#) [9-1326727-8](#) [9-1326729-8](#) [925467-1](#) [925474-1](#) [928905-1](#) [936398-2](#) [964562-1](#) [964562-4](#) [964731-2](#) [965051-1](#) [968782-1](#)  
[GT17SA-8DS-HU](#) [GT17VS-10DP-5.2CF](#)