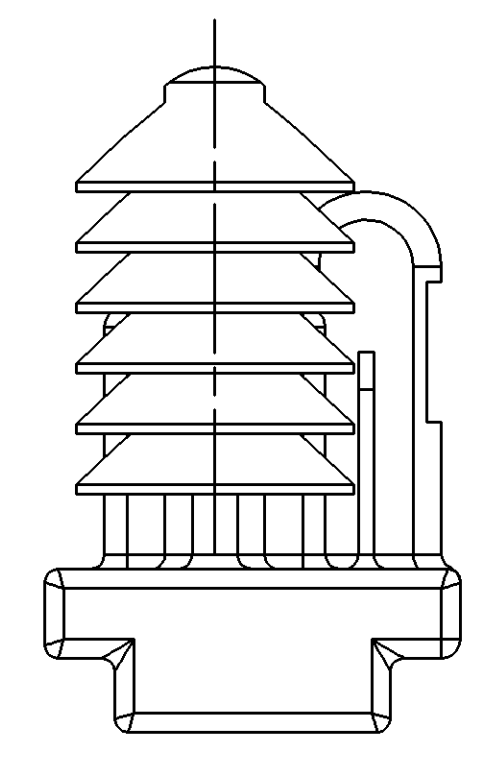
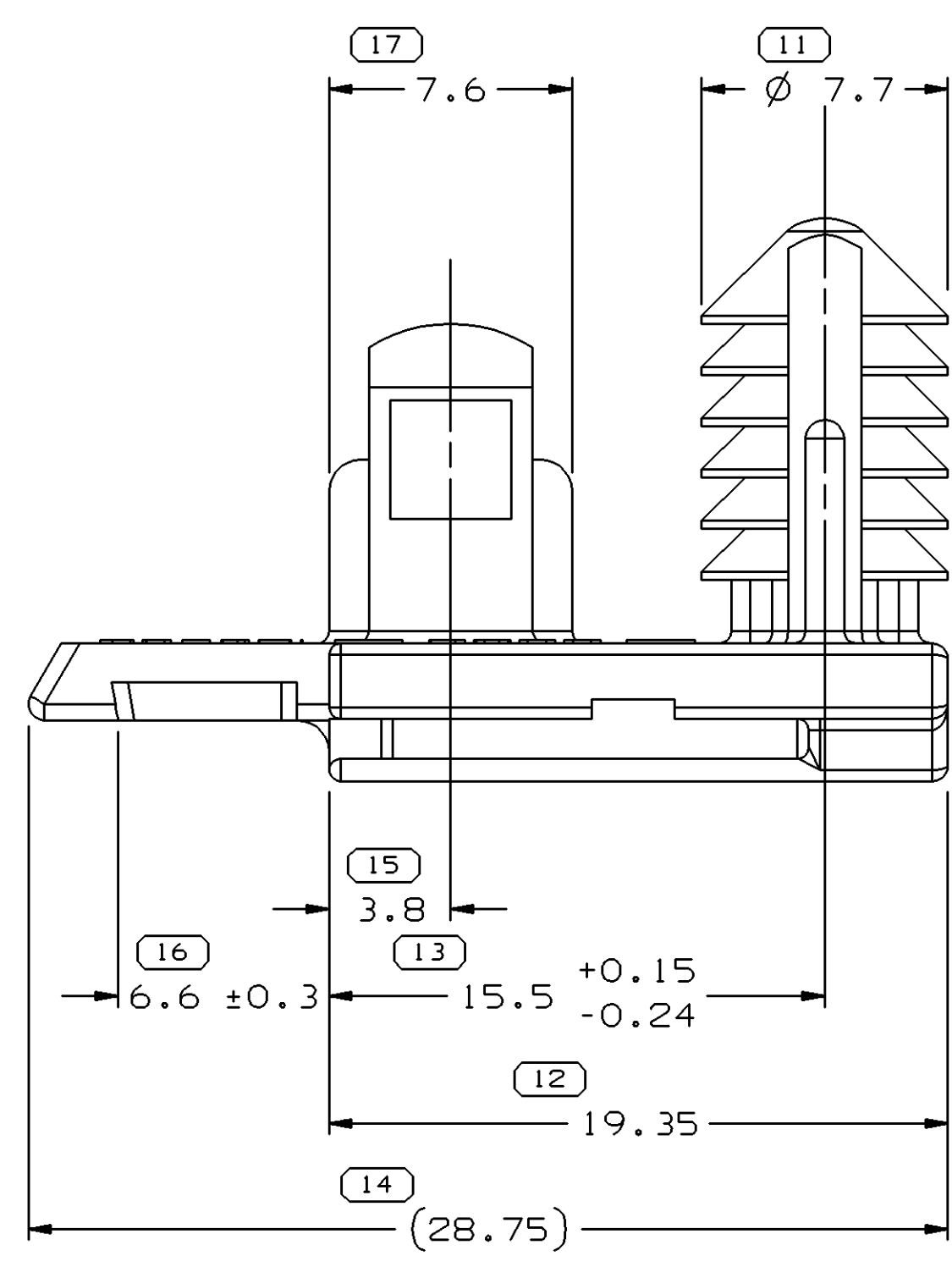
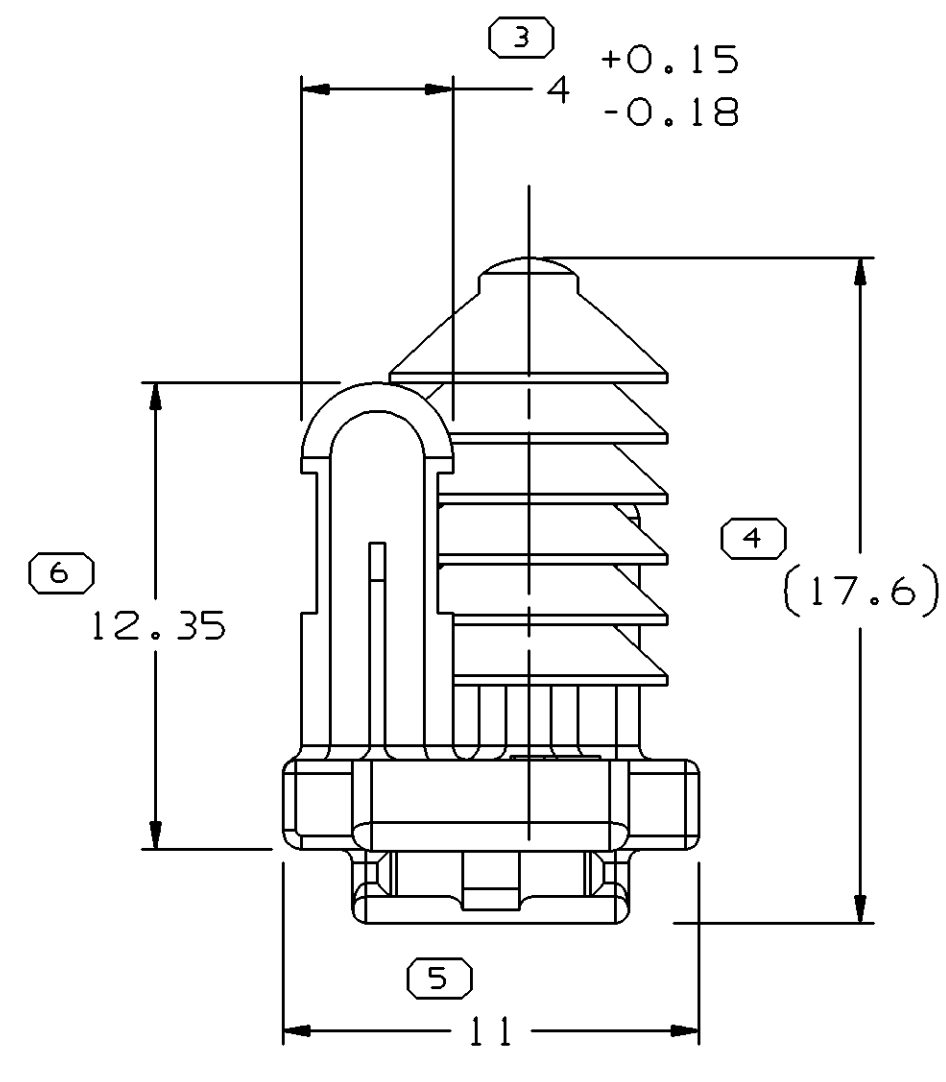
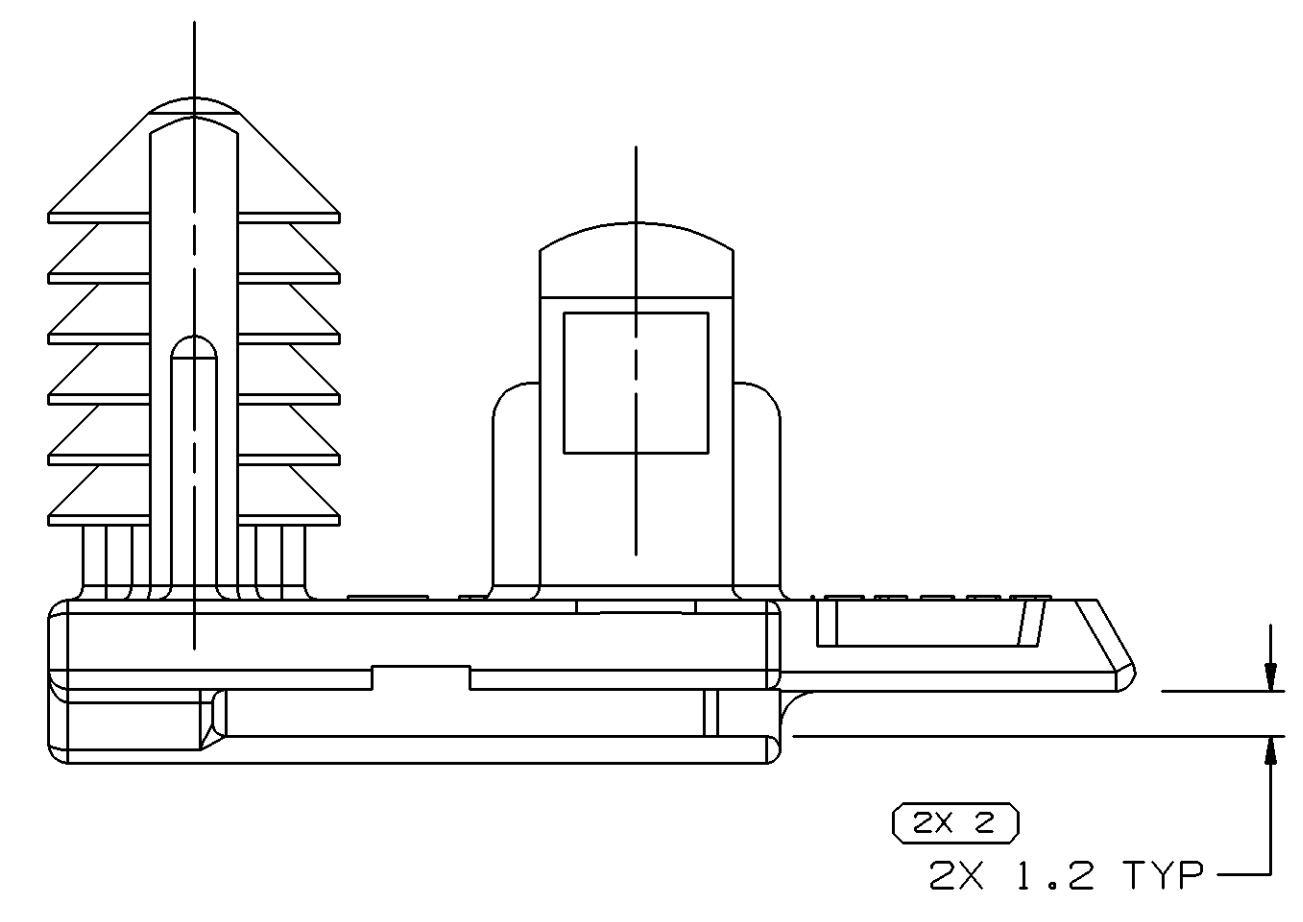
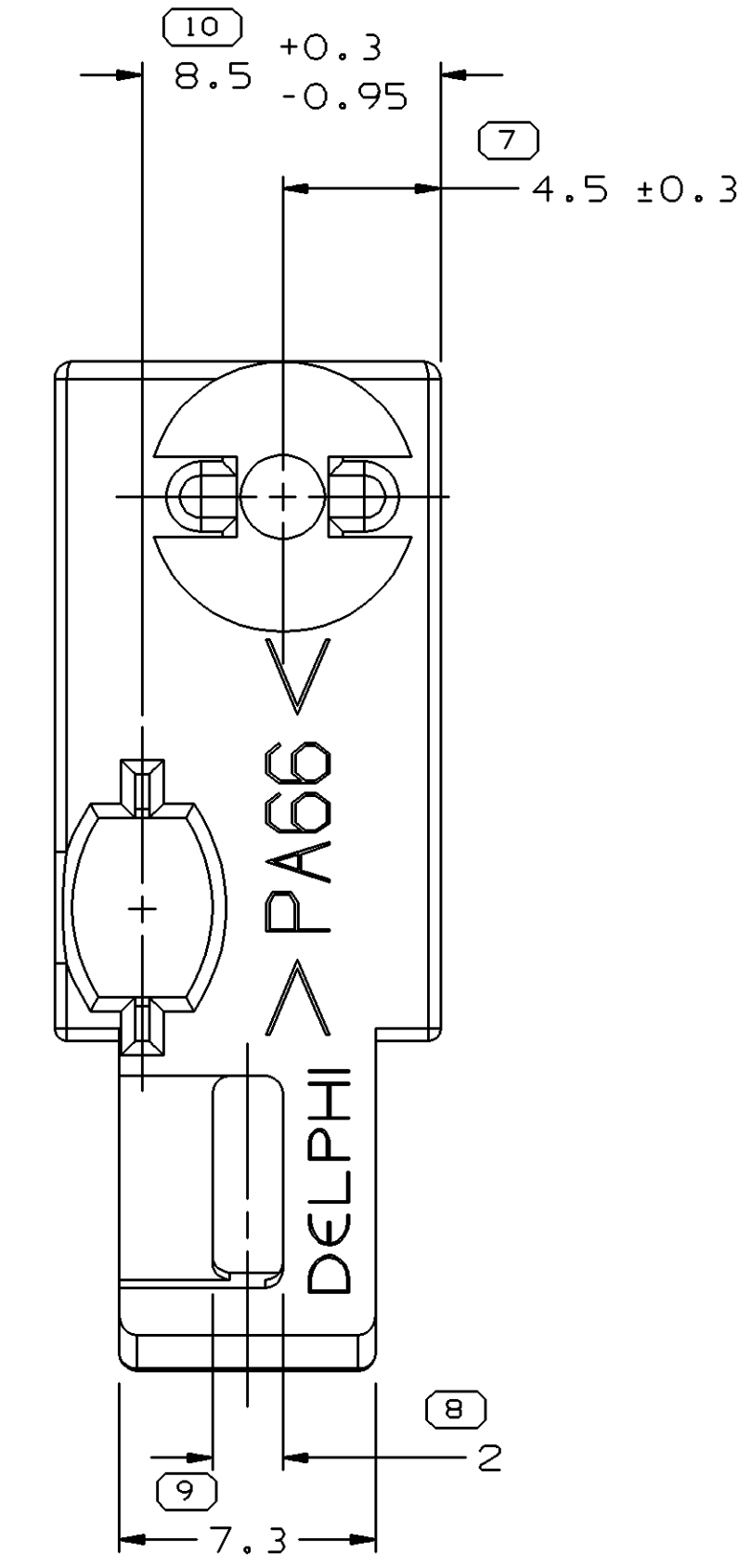
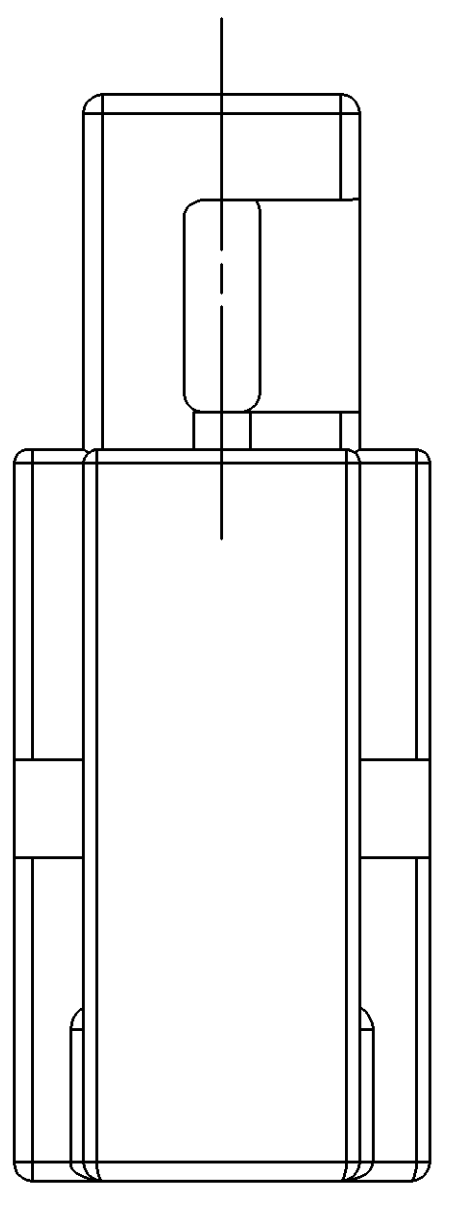
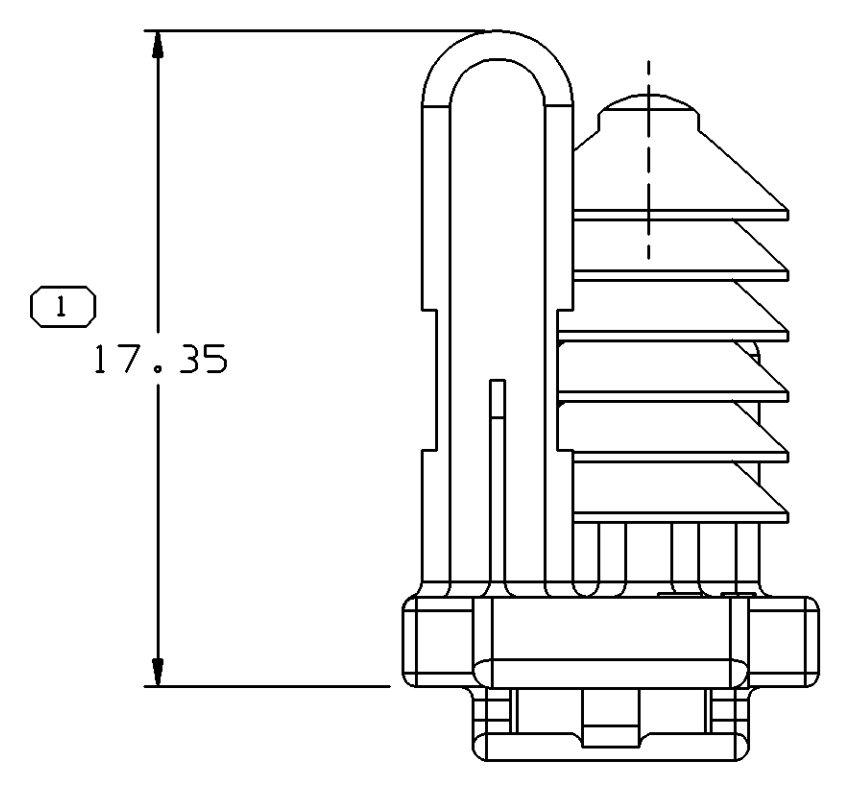


MOUNTING HOLES



VIEW SCALE DOES NOT REFLECT ACTUAL PART SIZE



- NOTES
- UNLESS OTHERWISE SPECIFIED AND/OR INDICATED: DIMENSIONS ARE TO FACE OF VIEW SHOWN AND AUTOMATICALLY ROUNDED BY COMPUTER FOR INSPECTION (SEE MATH MODEL FOR PRECISE DIMENSIONS). FOR ALL OTHER DIMENSIONS NOT SHOWN BUT REQUIRED FOR TOOL BUILD, SEE MATH MODEL FOR PRECISE TOOL PATH DATA.
  - MATERIAL RECYCLING CODE PER ISO 11469. (1.8)X(0.1) RAISED CHARACTERS AS SHOWN TO BE LOCATED ON ANY EXTERIOR SURFACE. OPTIONAL CONSTRUCTION TO BE NO MATERIAL RECYCLING CODE.
  - THIS PART IS NOT CONTROLLED FOR AUTOMATIC FEEDING.
  - (1.2)X(0.1) RAISED DELPHI CORPORATE BRAND TO BE LOCATED ON ANY EXTERIOR SURFACE, PREFERABLY VISIBLE AT FINAL ASSEMBLY. OPTIONAL CONSTRUCTION TO BE "PED" OR NO LOGO.
  - RECOMMENDED FOR SEALED GT CONNECTORS ONLY

SYMBOL DEFINITION		MISSING SYMBOLS	
A DIMENSION WITHOUT AN INSPECTION REPORT SYMBOL DOES NOT REQUIRE INSPECTION. IT MAY BE CONTROLLED ON THE INDIVIDUAL COMPONENT DRAWING.	TOTAL NO OF INSPECTIONS REQUIRED	NO MISSING SYMBOL NUMBER	
	18		
	LAST NO. USED		
	17		

DWO STATUS		REVISION HISTORY		AUTH		DR		APVD		
DATE	STG	REV	N/P	CHG	ZONE					
27AUG03	R	01	-	-		15326712 - WAS SEPARATE DWG; 15476537 - RELEASED	244428	JAN	BYP	EM
13JUN05	R	02	-	-		15326712 AND 15476537 - ADDED NOTE # 5	269022	MCH	JAA	TP

PART NO	REV	N/P	STATUS	TYPE	MATERIAL SPECIFICATION AND COLOR	VOL
15476537	01	AA	-	102	M3592025 PA66 HS IM GRA MD	1.295
15326712	02	AD	-	101	M3592001 PA66 HS IM BLK	1.205

DIMENSIONAL RANGE (MM)	CHART	ET
FROM > 0	> 20	> 30
TO 20	30	70
	70	100
	100	150
	150	200
	200	250
	250	300
	300	400
	TOLERANCE UNLESS OTHERWISE SPECIFIED	
	±0.15	±0.2
	±0.3	±0.4
	±0.5	±0.6
	±0.8	±1
	±1.2	
	ANGULAR TOLERANCE 12'	

DWO TYPE		PART DRAWING	
STYLE			
VOLUME (00')	SEE CHART	DISTR CODE	D
UNLESS OTHERWISE SPECIFIED			
THIS DOCUMENT IS IN ACCORDANCE WITH ASME Y14.5M-1994 AS AMENDED BY THE 2003 DIMENSIONING AND TOLERANCING ADDENDUM - 1997. ALL GEOMETRIC TOLERANCES AND RELATED DATUMS APPLY TO ALL DIMENSIONS UNLESS OTHERWISE SPECIFIED. DIMENSIONS ARE IN MILLIMETERS.			
THIRD ANGLE PROJECTION			
DO NOT SCALE			
USE MATH DATA			

**DELPHI**  
DELPHI PACKARD ELECTRIC SYSTEMS  
WARREN, OH

DR	DATE
APVD1 ARLENE NAJERA	05SE03
APVD2 BRENDA PADILLA	07SE03
APVD3 ERIC MELCHOR	09SE03
APVD4	
APVD5	

MATERIAL SEC CHART

SUBSTANCES OF CONCERN AND RECYCLED CONTENT PER DELPHI 10949001

DRAWING NAME: TAXI MOUN

DRAWING NUMBER: 15477129

SIZE A0 SCALE 5:1 FRAME NO 1 OF 1 SHEET NO 1 OF 1 STG REV N/P R 02

## X-ON Electronics

Largest Supplier of Electrical and Electronic Components

*Click to view similar products for [Automotive Connectors](#) category:*

*Click to view products by [Delphi](#) manufacturer:*

Other Similar products are found below :

[003-018-000](#) [600858](#) [60403001](#) [60993906-B](#) [60993913-B](#) [629515004020001](#) [M902-2131](#) [M902-2161](#) [M902-2344](#) [72.330.1035.1](#)  
[73.353.4028.0](#) [F118010](#) [F119300-B](#) [F132210](#) [F132210-B](#) [F166900](#) [F180100](#) [F258300](#) [F258300-B](#) [F294300-B](#) [F339100](#) [F339700](#) [F358300-](#)  
[B](#) [F374110](#) [F407400](#) [F412210](#) [F427600](#) [F444110](#) [F487000](#) [F495100-B](#) [F500900-B](#) [F509500B-B](#) [770444-1](#) [776880-1](#) [827153-1](#) [881735-1](#)  
[8N1515-32-24P](#) [9-1326727-8](#) [9-1326729-8](#) [925467-1](#) [925474-1](#) [928905-1](#) [936398-2](#) [964562-1](#) [964562-4](#) [964731-2](#) [965051-1](#) [968782-1](#)  
[GT17SA-8DS-HU](#) [GT17VS-10DP-5.2CF](#)