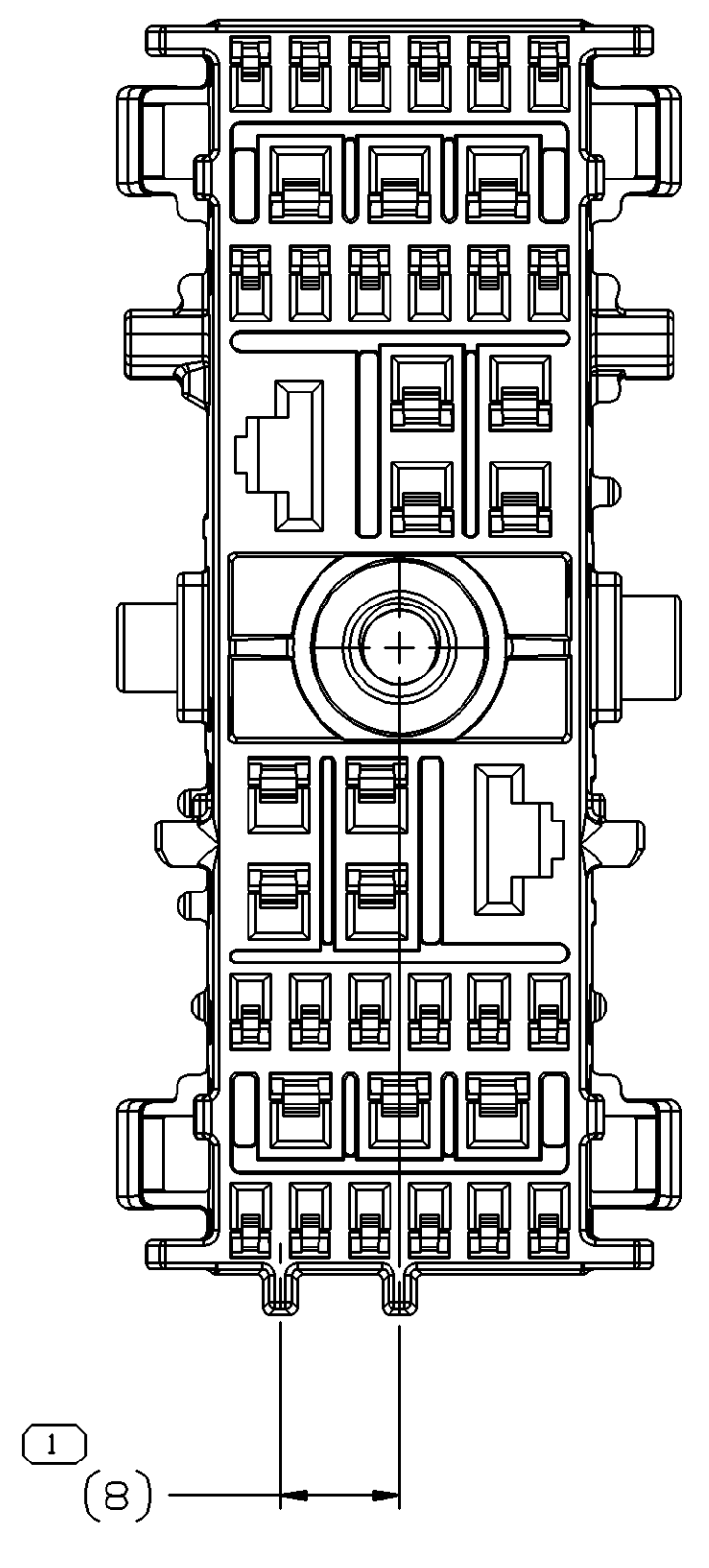
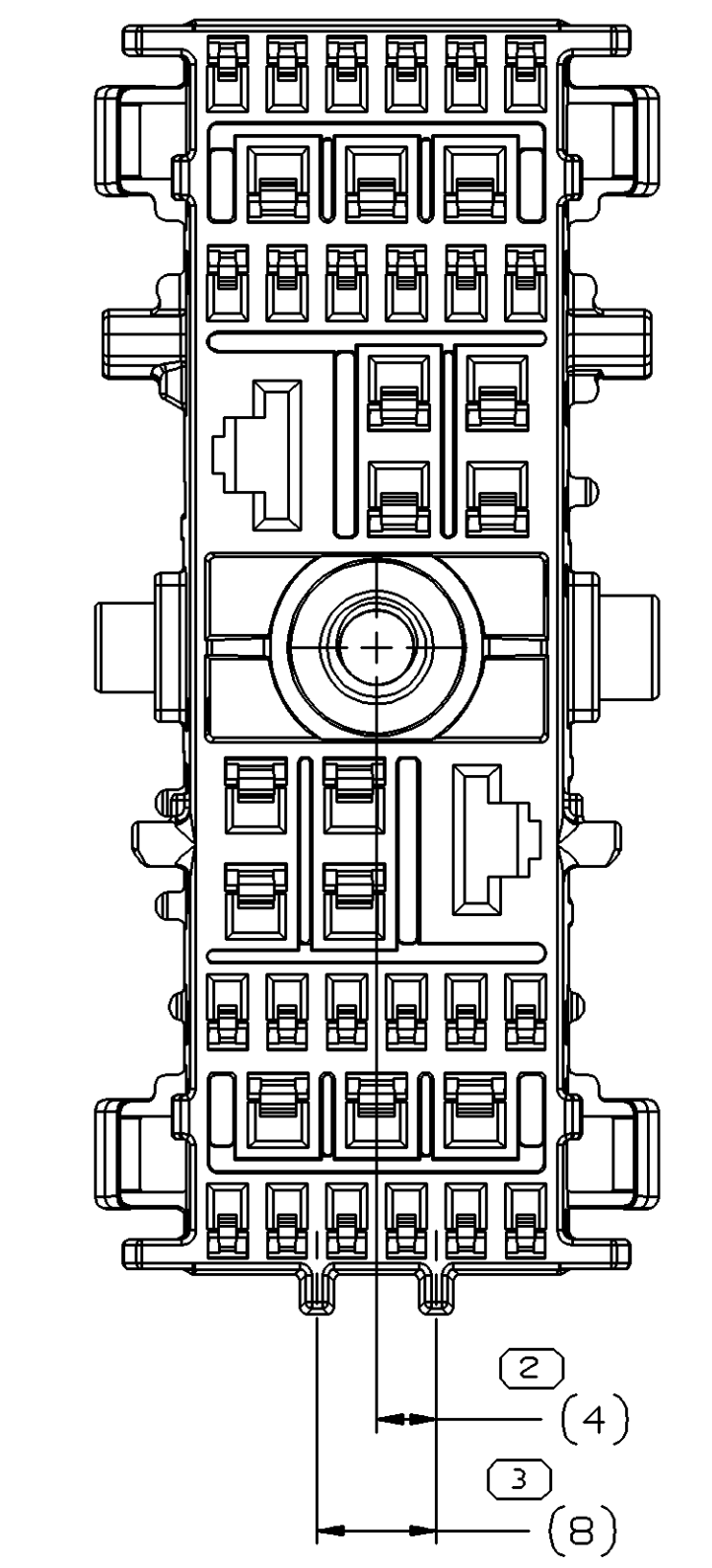


SYMBOL DEFINITION		MISSING SYMBOLS	
A DIMENSION WITHOUT AN INSPECTION REPORT SYMBOL DOES NOT REQUIRE INSPECTION. IT MAY BE CONTROLLED ON THE INDIVIDUAL COMPONENT DRAWING.	TOTAL NO OF INSPECTIONS REQUIRED	NO MISSING SYMBOL NUMBER	
	8		
	LAST NO. USED		
	8		

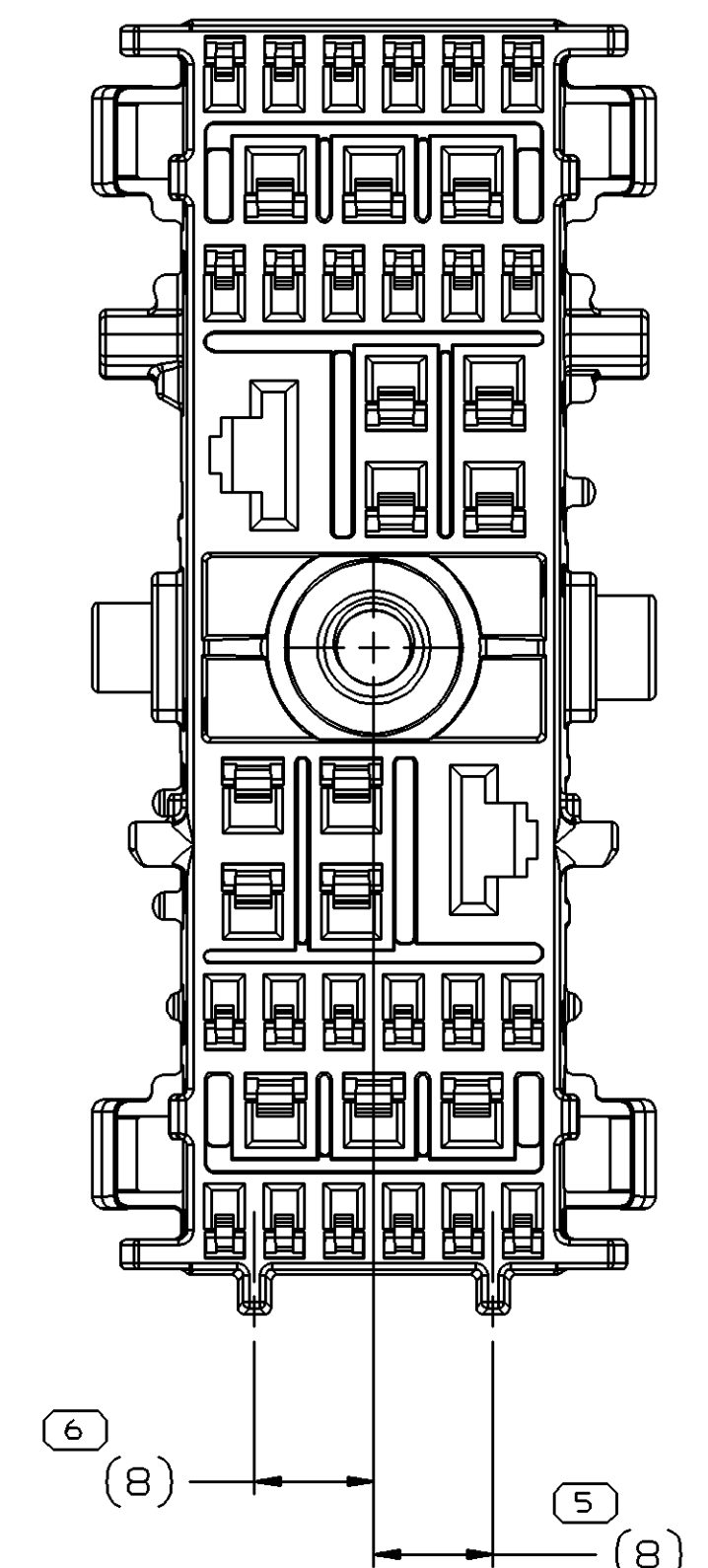
DWO STATUS					REVISION HISTORY			AUTH	DR	APVD	APVD	
DATE	STG	REV	N/P	CHO	ZONE							
05DE03	-	01	-	-	-	ALL PARTS - RELEASED			248626	AKJ	AKJ	ABT
13AU04	R	02	-	-	-	ALL PARTS - UPDATED GRAPHICS			256856	EGR	EGR	SD



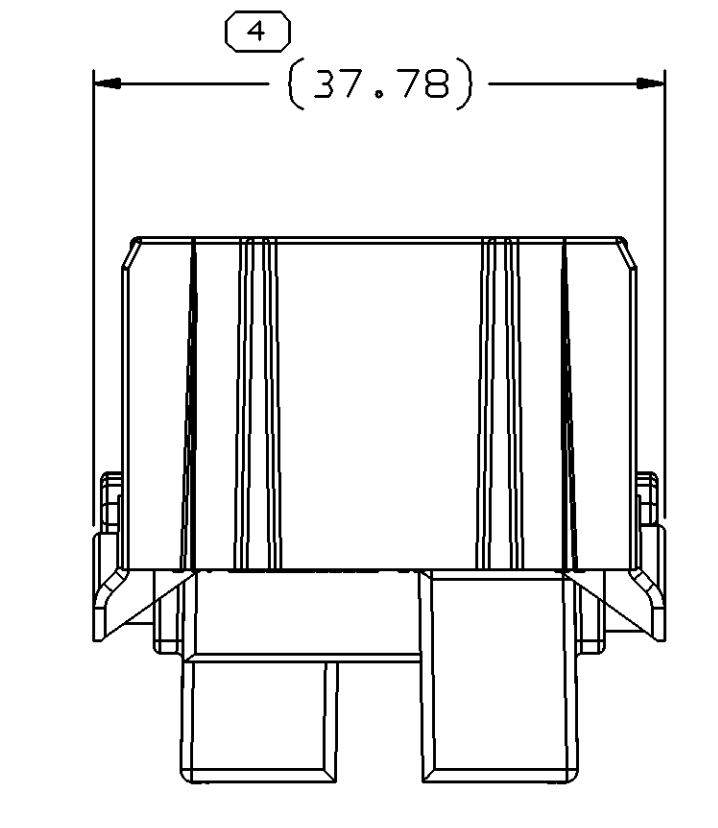
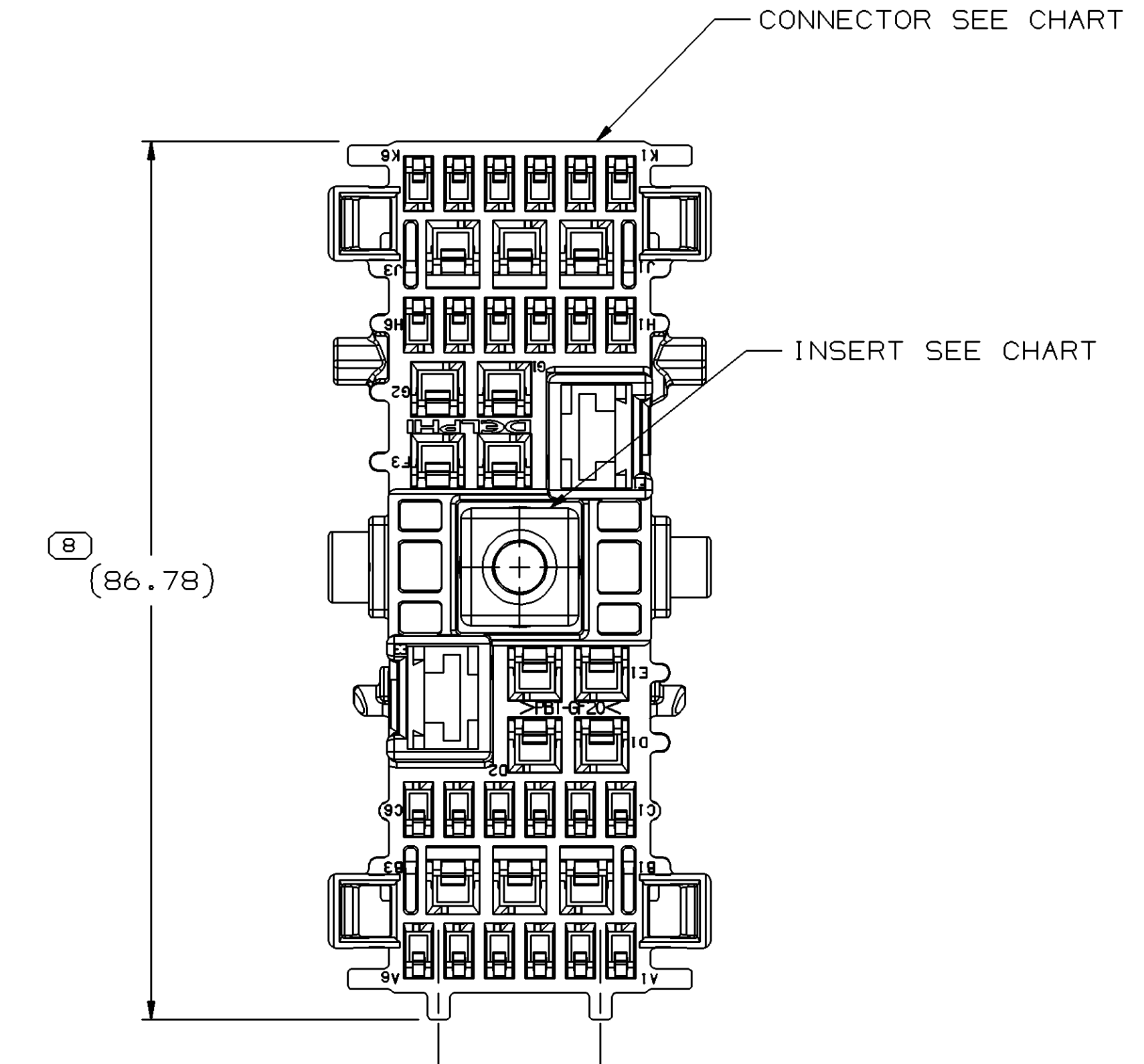
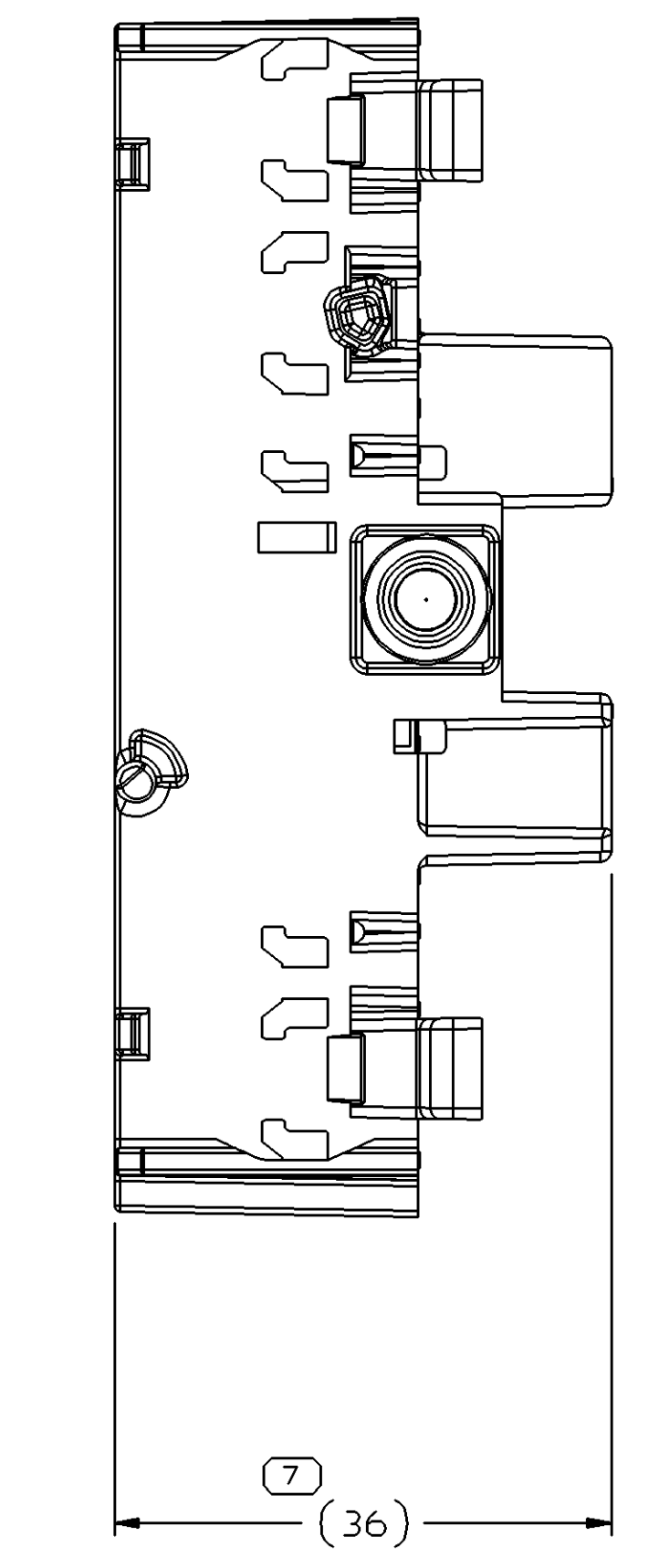
TYPE 103
SAME AS TYPE 101
EXCEPT AS SHOWN



TYPE 102
SAME AS TYPE 101
EXCEPT AS SHOWN

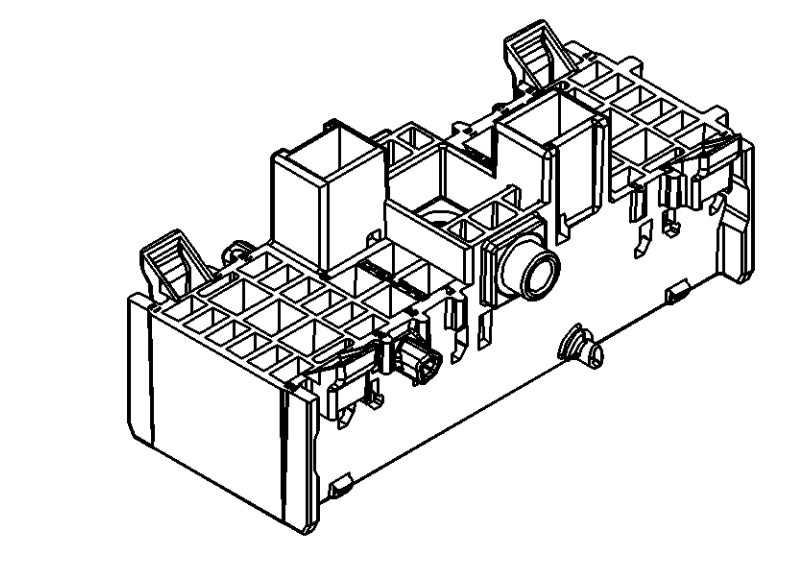


TYPE 101



NOTES

- UNLESS OTHERWISE SPECIFIED AND/OR INDICATED: DIMENSIONS ARE TO FACE OF VIEW SHOWN AND AUTOMATICALLY ROUNDED BY COMPUTER FOR INSPECTION (SEE MATH MODEL FOR PRECISE DIMENSIONS). FOR ALL OTHER DIMENSIONS NOT SHOWN BUT REQUIRED FOR TOOL BUILD, SEE MATH MODEL FOR PRECISE TOOL PATH DATA.
- SEALING CODE 0 - UNSEALED
- THIS PART ACCEPTS THE FOLLOWING COMPONENTS OR EQUIVALENT: CAVITIES A1 TO A6, C1 TO C6, H1 TO H6 & K1 TO K6 TO ACCEPT 12191811 TERMINAL. MAX INSULATION CRIMP MUST BE LESS THAN XX HIGH AND XX WIDE. CAVITIES B1, B2, B3, D1, D2, E1, E2, F2, F3, G1, G2, J1, J2 & J3 TO ACCEPT 15304711 TERMINAL. MAX INSULATION CRIMP MUST BE LESS THAN XX HIGH AND XX WIDE. CAVITIES E3 & F1 TO ACCEPT 12065915 TERMINAL. MAX INSULATION CRIMP MUST BE LESS THAN X HIGH AND X WIDE. SECONDARY TERMINAL LOCK 15477824. WIRE DRESS COVER 15477591.
- ASSEMBLY NUT INSERT PUSH OUT FORCE IS 800 N MINIMUM. ASSEMBLY NUT SHALL NOT RATLLE AFTER CRIMP PROCESS.



TYPE 101

PART NO	STG	REV	N/P	STATUS	TYPE	CONNECTOR	INSERT
15477784	R	02	-	-	103	15477603	15410323
15477783	R	02	-	-	102	15477602	15410323
15477782	R	02	-	-	101	15477601	15410323

DWO TYPE PART DRAWING		STYLE	
VOLUME (CM ³)	DISTR CODE	D	
UNLESS OTHERWISE SPECIFIED			
THIS DOCUMENT IS IN ACCORDANCE WITH ASME Y14.5M-1994 AS AMENDED BY THE DIMENSIONING AND TOLERANCING ADDENDUM-2003. SEPARATE PATTERNING OF FEATURES MAY BE GIVEN SEPARATELY REGARDLESS OF DATUM REFERENCES.			
ALL DIMENSIONS ARE IN MILLIMETERS			
DIMENSIONAL RANGE (MM)		CHART ET	
FROM	TO	FROM	TO
> 0	> 20	> 70	> 100
> 20	> 30	> 100	> 150
> 30	> 70	> 150	> 200
> 70	> 100	> 200	> 250
> 100	> 150	> 250	> 300
> 150	> 200	> 300	> 400
TOLERANCE UNLESS OTHERWISE SPECIFIED		ANGULAR TOLERANCE 12°	
±0.15	±0.2	±0.3	±0.4
±0.4	±0.5	±0.6	±0.8
±1	±1.2		

DELPHI
DELPHI PACKARD ELECTRIC SYSTEMS
WARREN, OH

DR	DATE
APVD1 ANAND JAGANATHAN	05DE03
APVD2 ANAND JAGANATHAN	05DE03
APVD3 ALAN TOOT	05DE03
APVD4	
APVD5	

SUBSTANCES OF CONCERN AND RECYCLED CONTENT PER DELPHI 10949001

MATERIAL SEC CHART

DRAWING NAME
TAXI ASM CONN 40 F 6T 150 280 N/P 800

DRAWING NUMBER
15477781

SIZE A0 SCALE 2:1 FRAME NO 1 OF 1 SHEET NO 1 OF 1 STG REV N/P R 02

X-ON Electronics

Largest Supplier of Electrical and Electronic Components

Click to view similar products for [Automotive Connectors](#) category:

Click to view products by [Delphi](#) manufacturer:

Other Similar products are found below :

[003-018-000](#) [600858](#) [60403001](#) [60993906-B](#) [60993913-B](#) [629515004020001](#) [M902-2131](#) [M902-2161](#) [M902-2344](#) [72.330.1035.1](#)
[73.353.4028.0](#) [F118010](#) [F119300-B](#) [F132210](#) [F132210-B](#) [F166900](#) [F180100](#) [F258300](#) [F258300-B](#) [F294300-B](#) [F339100](#) [F339700](#) [F358300-](#)
[B](#) [F374110](#) [F407400](#) [F412210](#) [F427600](#) [F444110](#) [F487000](#) [F495100-B](#) [F500900-B](#) [F509500B-B](#) [770444-1](#) [776880-1](#) [827153-1](#) [881735-1](#)
[8N1515-32-24P](#) [9-1326727-8](#) [9-1326729-8](#) [925467-1](#) [925474-1](#) [928905-1](#) [936398-2](#) [964562-1](#) [964562-4](#) [964731-2](#) [965051-1](#) [968782-1](#)
[GT17SA-8DS-HU](#) [GT17VS-10DP-5.2CF](#)